

Instructions

Panasonic

Dome Cover

Model No. **WV-CF5S**
WV-CF5SE

Before attempting to connect or operate this product, please read these instructions carefully and save this manual for future use.

The model number is abbreviated in some descriptions in this manual.

Features

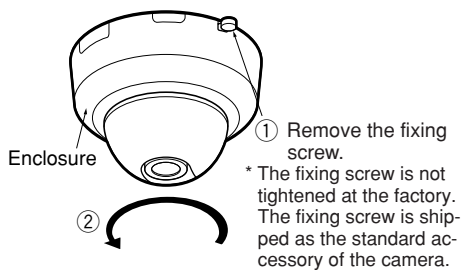
The WV-CF5S is the smoke type dome cover dedicated to the Panasonic network camera WV-CF284.

Installations

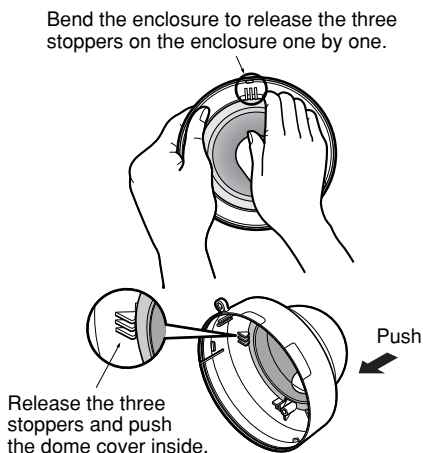
Please read the operating instructions for the camera as well.

1. Detach the enclosure from the camera.

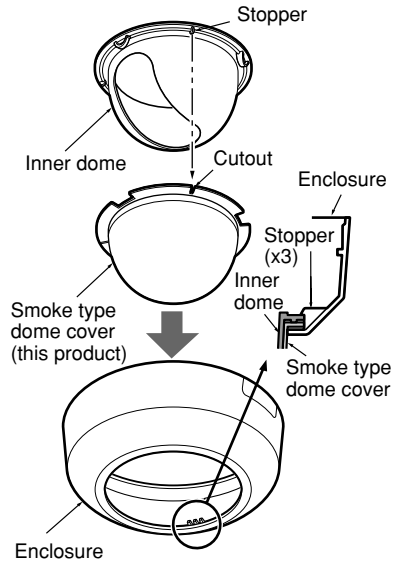
- ① Remove the dome cover fixing screw (M3, step screw).
- ② Rotate the dome cover counter-clockwise.



2. Detach the dome cover and the inner dome from the camera.



3. Replace the dome cover.
 - ① Attach the smoke type dome cover (this product) to the inner dome while matching the stopper of the inner dome and the notch of the smoke type dome cover.
 - ② Insert it into the enclosure and make sure that both the smoke type dome cover and the inner dome are stuck in with the stoppers on the enclosure.
 - ③ Rotate the attached dome cover to check if it rotates smoothly together with the inner dome.
4. Attach the enclosure to the main body of the camera.
Refer to the operating instructions of the camera.



Specifications

Ambient temperature	-10 °C to +50 °C
Weight	25 g {0.055 lbs.}
Dimensions	Diameter 92 mm {3-5/8"} (Dome diameter 80 mm {3-1/8"}) Height 49.5 mm {1-15/16"}

Standard Accessories

Instructions (this document)..... 1 pc.

For U.S. and Canada:

**Panasonic System Communications
Company of North America,
Unit of Panasonic Corporation
of North America**

www.panasonic.com/business/
For customer support, call 1.800.528.6747
Three Panasonic Way, Secaucus,
New Jersey 07094 U.S.A.

Panasonic Canada Inc.

5770 Ambler Drive, Mississauga,
Ontario, L4W 2T3 Canada
(905)624-5010
www.panasonic.ca

For Europe and other countries:

Panasonic Corporation

<http://panasonic.net>

Importer's name and address to follow EU rules:

Panasonic Testing Centre
Panasonic Marketing Europe GmbH
Winsbergring 15, 22525 Hamburg F.R.Germany