

Wall Mount Bracket Operating Instructions

Model No. **WV-Q150C**
WV-Q150CE
WV-Q150S
WV-Q150SE

Before attempting to connect or operate this product, please read these instructions carefully and save this manual for future use.

The model number is abbreviated in some descriptions in this manual.

NM0806-5010 3TR004556FAA Printed in Japan

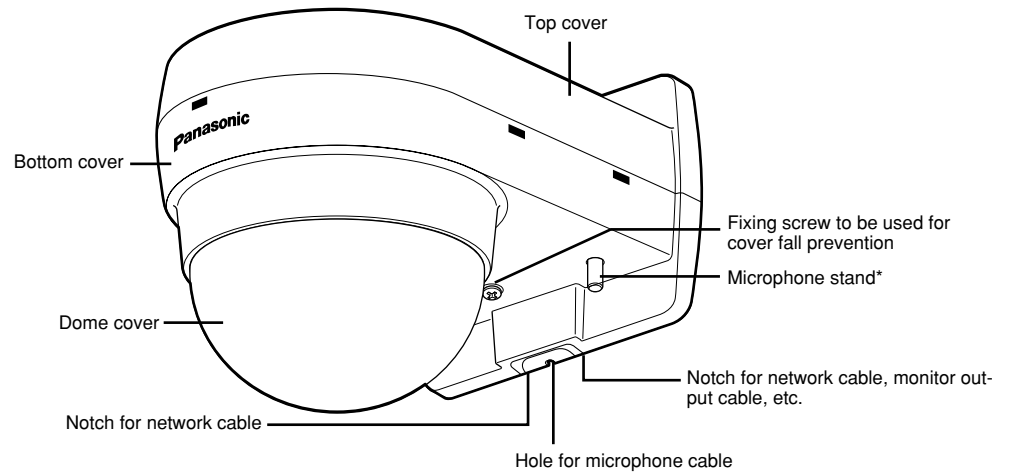
Preface

This bracket is exclusively designed to mount the network camera, WV-NS202, on a wall. The network camera shall be mounted on this bracket after mounting this bracket on a concrete wall.

- WV-Q150C: Clear dome cover
- WV-Q150S: Smoked dome cover (approx. 50 % of transmittance)

Precautions

- **Refer installation work to the dealer.**
Installation work requires technique and experiences. Be sure to refer installation work to the dealer to avoid fire, electric shock, injury, or damage to the product.
- **Use only the specified camera.**
Failure to observe this may cause a fall of an inappropriate camera resulting in injury or accidents. Mount WV-NS202 on this bracket exclusively.
- **The measures of protection against a fall of the camera shall be taken.**
Failure to observe this may cause injury. Be sure to install this bracket-specific safety wire.
- **Avoid installing this bracket in the locations where salt damage occurs or corrosive gas is produced.**
Otherwise, the mounting portions will deteriorate and accidents such as a fall of the camera may occur.
- **The screws and fixation mechanisms shall be tightened securely.**
Failure to observe this may cause a fall of the camera resulting in injury or accidents.
- **Periodic inspections shall be conducted.**
Rust on the metal parts or screws may cause a fall of the camera resulting in injury or accidents. Be sure to consult the dealer for the inspections.
- **Do not rub the edges of metal parts with your hand.**
Failure to observe this may cause injury.
- Make sure that the installation area is strong enough to hold the total weight of the camera assembly (approx. 1.8 kg {0.4 lbs.}) before installation.
- The screws that secure this bracket on a wall are not supplied. Prepare the screws according to the material, structure, strength and other factors of the mounting area and the total weight of objects to be mounted. (4 pieces of M4 screws or 2 pieces of M4 screws and 2 pieces of M6 or M8 anchor bolts) In this case, wood screws and nails should not be used.
- Avoid installing in the following locations.
 - Locations where it may get wet from rain or water splash (not only outdoor)
 - Locations where a chemical agent is used such as a swimming pool
 - Locations subject to steam and oil smoke such as a kitchen
 - Locations near flammable gas or vapor
 - Locations where radiation or x-ray emissions are produced
 - Locations subject to strong magnetic field or radio waves
 - Locations where it may be damaged by briny air such as seashores
 - Locations where the temperature is not within $-10\text{ }^{\circ}\text{C}$ - $+50\text{ }^{\circ}\text{C}$ { $14\text{ }^{\circ}\text{F}$ - $122\text{ }^{\circ}\text{F}$ }.
 - Locations subject to vibrations (This product is not designed for on-vehicle use.)
 - Locations where the temperature may rapidly change such as the peripheral areas of the air outlets of air conditioners or doors facing outside. (In case of installing the camera in such locations, the dome cover may become foggy or condensation may be caused on the cover.)
- The screws and bolts must be tightened with an appropriate tightening torque according to the material and strength of the installation area. After tightening the screws or bolts, perform visual check to ensure tightening is enough and there is no backlash.
- The pull-out strength of the installation area shall be 392 N {40 kgf} or more per 1 screw.
- The protection sheet attached to the dome cover shall be peeled off after installation.



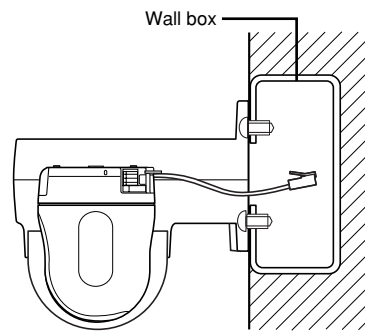
* If a microphone is used, mount the microphone on the rubber-made microphone stand. Unless the microphone is used, cut the rubber with a nipper or conduct another treatment.

Installation Area

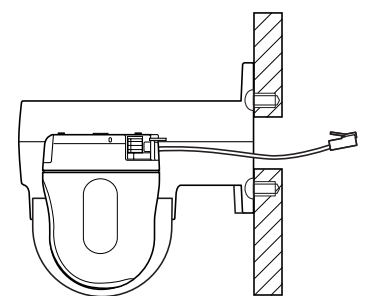
Instructions for installing the machine and a wiring example are given below.

* The pull-out strength of the installation area shall be 392 N {40 kgf} or more per 1 screw.

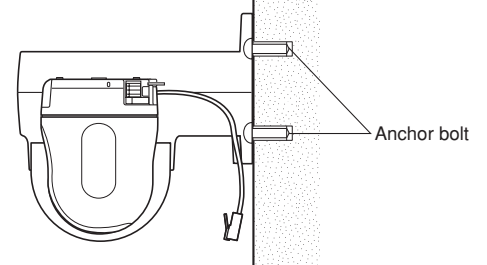
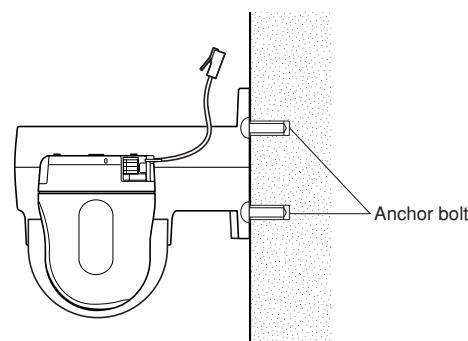
● Embedded box



● Strong wall



● Concrete

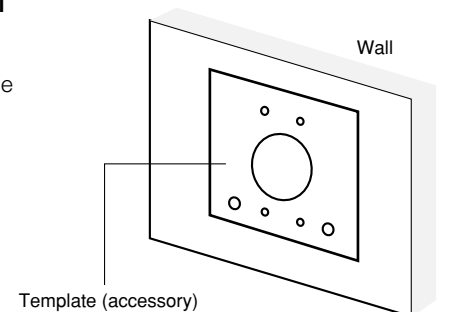


Installations

Be sure to read "Precautions" before installation. The Installation Guide of the network camera, WV-NS202, shall be read as well.

1. Put the template (accessory) against the wall and mark the positions of fixing screws and hole through which the cables run.

If you run the cables through the wall, drill a hole through the wall.

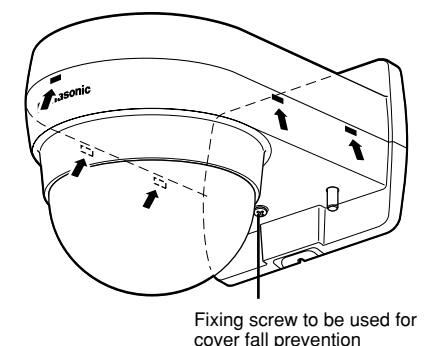


2. Remove the bottom cover from this bracket.

① Loosen the fixing screw (unremovable) to be used for cover fall prevention.

② Pull down the bottom cover while pressing the marks (shown with \blacktriangleright in the drawing) to remove the cover.

* Be aware that the inner shell is present in the cover.



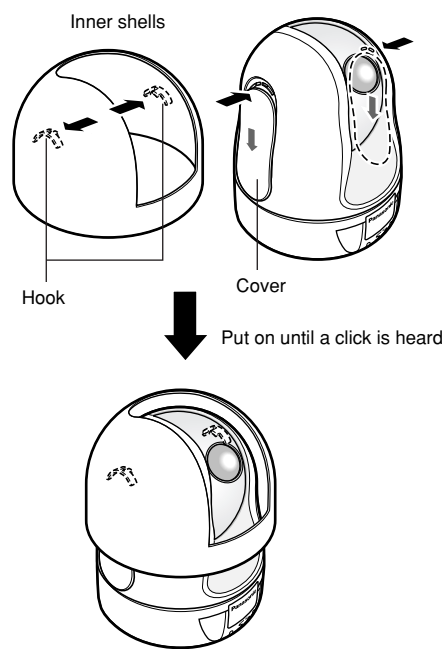
(To be continued reverse page)

Installations (continued)

3. Install the inner shell.

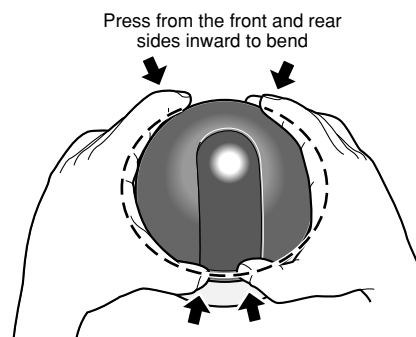
Slide the covers located on the both lateral sides of the camera and put the inner shell on the camera until the hooks inside the inner shell are held in the holes of the camera (until a click is heard).

Important: Put the inner shell down on the camera until the outside cover of the camera cannot be seen from the opening (from which the camera lens is visible) of the inner shell. If this integration is not successfully performed, the inner shell may be removed or the hidden part at the top of the screen may become larger in the WIDE mode.



How to remove the inner shell

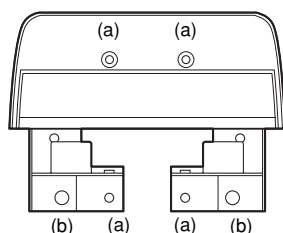
Press the inner shell from the front and rear sides inward (at the same vertical position as the hooks) to bend the shell and remove the shell from the camera.



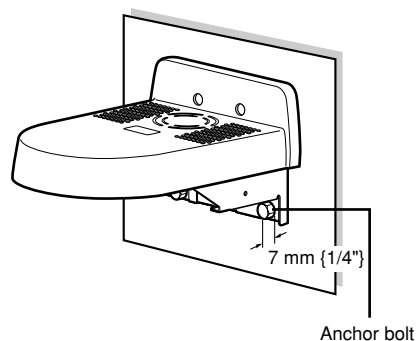
4. Mount the top cover on the wall and run the cables.

Secure the top cover in either of the following two ways: ① and ②. No screw is supplied. Procure screws according to the installation area.

- ① M4 screws, 4 positions (a) or
- ② M4 screws, 2 positions ((a) upper 2 positions, not available in lower positions) and M6 or M8 anchor bolts, 2 positions (b)



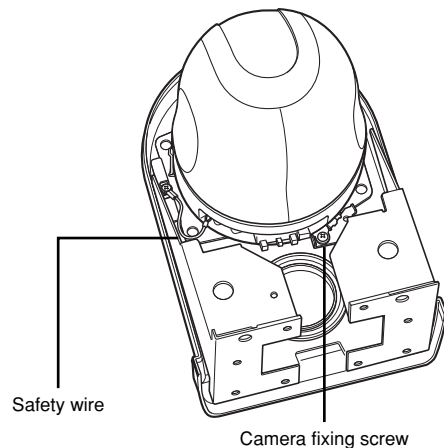
Important: The length of the anchor bolt projecting portion (the distance between the tip of the anchor bolt and the chassis attaching surface) shall be 7 mm {1/4"} or less. Failure to observe this causes interference between the anchor bolt and bottom cover. Therefore, the bottom cover cannot be mounted.



5. Mount the camera.

Refer to "Installations/Connections" in the Installation Guide of WV-NS202 for further information. The camera mounting bracket is already attached to this bracket at the time of purchase.

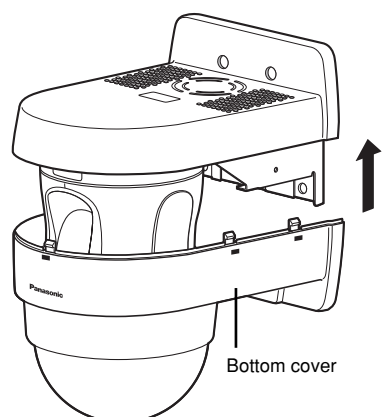
Important: Make sure to install the camera by pushing it firmly into the camera mounting bracket.



6. Mount the bottom cover.

Be sure to push the bottom cover up until a click is heard.

Important: Do not let the cables be caught during installation work.



7. Tighten the fixing screw to be used for cover fall prevention.

Recommended tightening torque: 1.6 N·m {16 kgf·cm}

Note: When the camera lens is pointed in the horizontal direction, the inner shell interferes with the camera's view, and consequently about upper half of the monitor screen is hidden in the WIDE mode.

Specifications

Ambient temperature:	-10 °C - +50 °C {14 °F - 122 °F}
Dimensions:	165 (W) x 206.5 (H) x 217.5 (D) mm {6-1/2" (W) x 8-1/3" (H) x 8-9/16" (D)}
Weight:	Approx. 950 g {2.10 lbs.}
Finish:	Main body: Treatment steel Top and bottom covers: ABS resin with silver metallic coating Dome cover: Acrylic resin

Standard Accessories

Operating Instructions (this book) 1 pc.

The following are for installation.

Template 1 sheet
Inner shell 1 pc.

For U.S. and Canadian fields:

Panasonic System Networks Company of America,
Unit of Panasonic Corporation of North America
www.panasonic.com/business/
For customer support, call 1.800.528.6747
Three Panasonic Way, Secaucus, New Jersey 07094 U.S.A.

Panasonic Canada Inc.
5770 Ambler Drive, Mississauga, Ontario, L4W 2T3 Canada
(905)624-5010
www.panasonic.ca

For European and other fields:

Panasonic Corporation
http://panasonic.net

Importer's name and address to follow EU rules:

Panasonic Testing Centre
Panasonic Marketing Europe GmbH
Winsbergring 15, 22525 Hamburg F.R.Germany