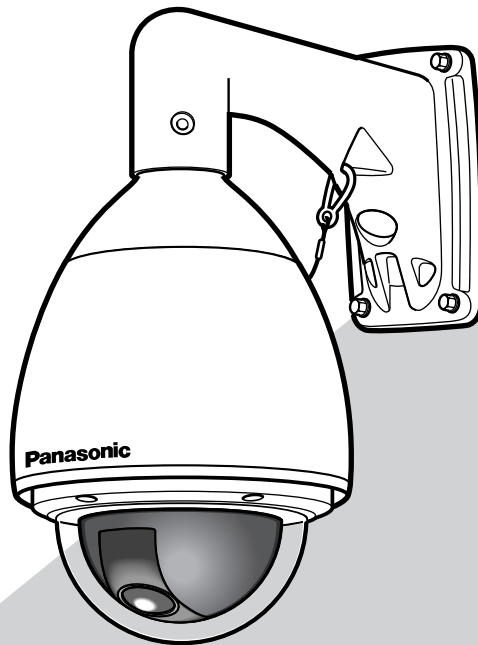


Panasonic

Wall Mount Bracket Operating Instructions

Model No. **WV-Q122E**



The camera in the illustration is separately sold.

Before attempting to connect or operate this product,
please read these instructions carefully and save this manual for future use.
The model number is abbreviated in some descriptions in this manual.

Precautions

- Make sure that the place you are installing the camera is strong enough to support it. If it is not strong enough, then the camera may fall and hurt someone.
- The following steps of installation and connection work should be done by qualified service personnel or system installers and should conform to all local codes.
- Be sure to turn the power off before installation and connection.
- Do not install the camera near the air outlet of an air conditioner.

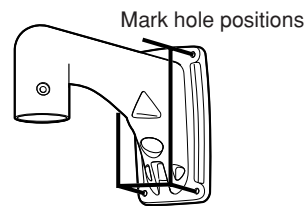
■ Introduction

This bracket is used for mounting the colour camera WV-CW960 or WV-CW964 onto a wall. There are two ways of cable exit available from the front or rear of the bracket.

Front Cable Exit

1. Preparations

Specify the bracket fixing location, and then put in four anchor bolts, or drill four bolt holes on the installation surface. Refer to **Dimensions** on page 7.



2. Cable Bushing

Fit the supplied cable bushing into the front cable exit of the bracket.

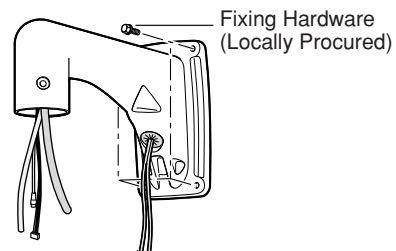


3. Cable Route

Route the connection cables from the front cable exit through the bracket, and pull them out of the pipe mouth.

4. Fixing Bracket

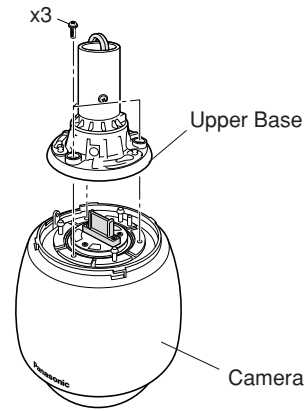
Fix the bracket to the wall using appropriate hardware (not supplied): bolts and nuts, anchor bolts and nuts, or the like.



5. Disassembly of Camera

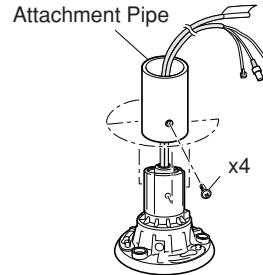
- (1) Remove the upper base from the camera by loosening 3 screws. The screws that are removed need to be used during reassembly. Be careful to not lose them. Turn the upper base and separate it.

* Special screw (mounting screw): Use a hexagon wrench for the hexagon screw (M6).



- (2) Remove the attachment pipe from the upper base by loosening 4 screws.

* Special screw (mounting screw): Use a hexagon wrench for the hexagon screw (M6).



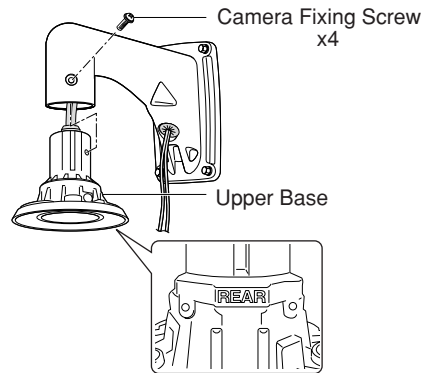
6. Setting Switches

Refer to **DIP SWITCH SETTINGS** in the manual included with the camera.

7. Cable Connection

Refer to **CONNECTIONS** in the manual included with the camera.

Warning: Seal the cables with plastic or rubber tape to prevent it from being exposed.



8. Mounting Upper Base

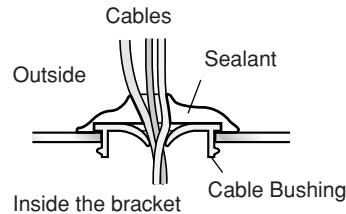
Fix the upper base to the bracket.

- Fasten 4 screws (the screws that were removed in step (2) of "5. Disassembly of Camera") making sure that "REAR" engraved on the upper base faces the wall.

9. Waterproofing

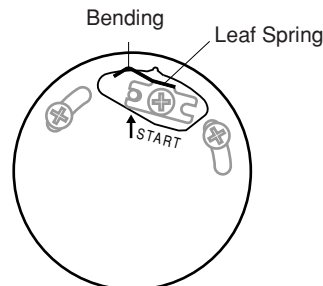
Fill the front cable exit with sealant.

Warning: Carefully apply the sealing so that water or moisture cannot get inside. If water gets inside the camera it could cause a shock or fire. Also, if moisture gets inside the camera it could cause the dome to become foggy.

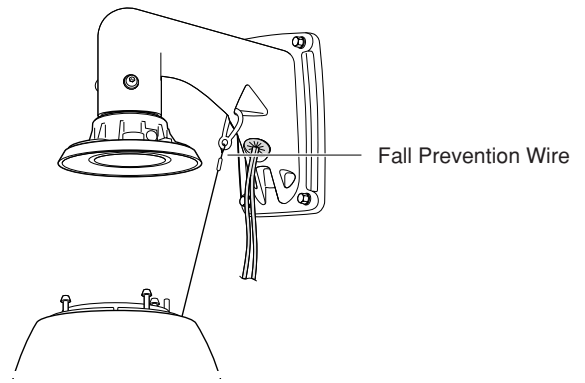


10. Mounting Camera

- (1) Aim the START arrow at the bent portion of the leaf spring on top of the camera.



- (2) Be sure to hook the fall prevention wire to the bracket.

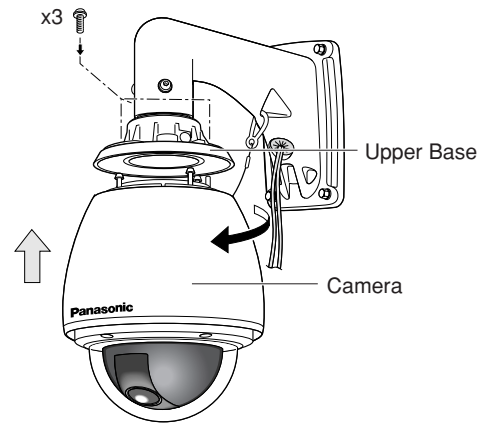


- (3) Fix the camera to the upper base.
- Move the camera up so that its guide pins fit into the guide holes of the upper base.
 - Turn the camera counter-clockwise to the end, viewed from the bottom.
 - Fasten 3 screws (the screws that were removed in step (1) of "5. Disassembly of Camera").

Caution: Tighten the three (3) mounting screws for the upper base.

Recommended torque: Approximately 2.45 N/m {24 kgf cm}

Poorly tightened screws may result in water leaking into the camera or possible fire.



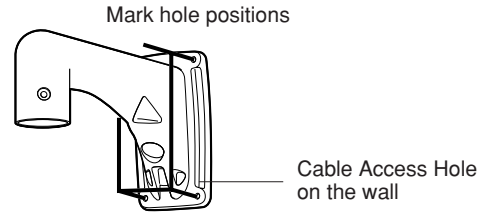
Rear Cable Exit

1. Preparations

Specify the bracket fixing location, and then put in four anchor bolts (not supplied), or drill four bolt holes on the surface.

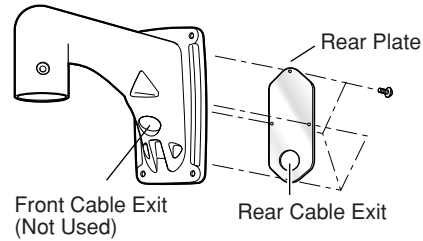
Remember that a cable access hole is necessary on the wall in this case.

Refer to **Dimensions** on page 7.



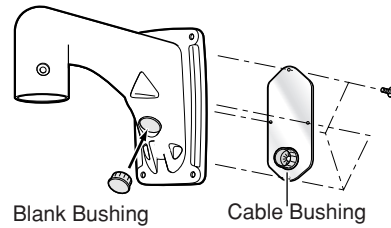
2. Rear Cable Exit

(1) Remove the rear plate, and then punch out the cable exit on it.



(2) Fit the supplied blank bushing into the front cable exit of the bracket.

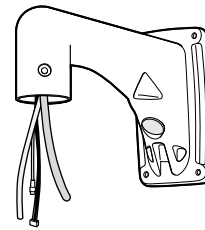
(3) Fit the supplied cable bushing into the rear cable exit of the plate.



(4) Replace the rear plate to the bracket fastening four screws.

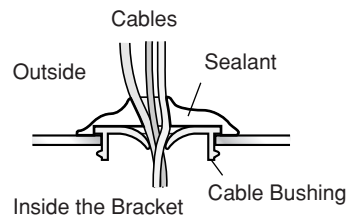
3. Cable Routing

Route the connection cables from the rear cable exit through the bracket, and pull them out of the pipe mouth.



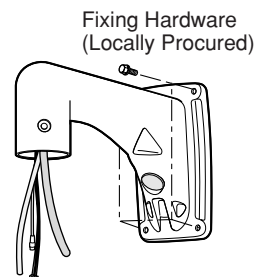
4. Waterproofing

Fill the rear cable exit with sealant.



5. Fixing Bracket

Fix the bracket to the wall using appropriate hardware (not supplied): bolts and nuts, anchor bolts and nuts, or the like.



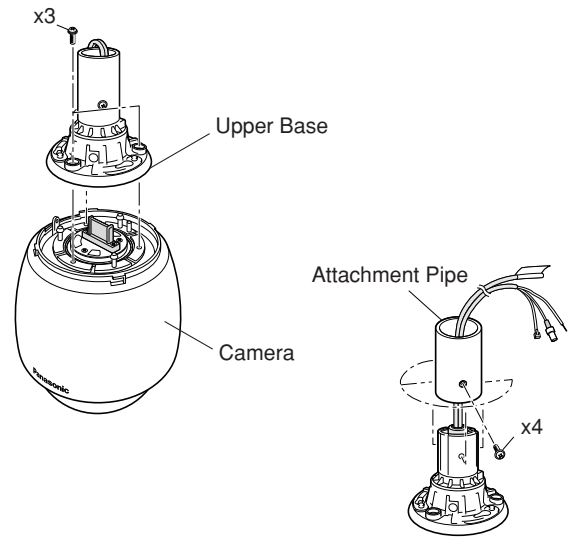
6. Disassembly of Camera

(1) Remove the upper base from the camera by loosening 3 screws. The screws that are removed need to be used during reassembly. Be careful to not lose them. Turn the upper base and separate it.

* Special screw (mounting screw): Use a hexagon wrench for the hexagon screw (M6).

(2) Remove the attachment pipe from the upper base by loosening 4 screws.

* Special screw (mounting screw): Use a hexagon wrench for the hexagon screw (M6).



7. Setting Switches

Refer to **DIP SWITCH SETTINGS** in the manual included with the camera.

8. Cable Connection

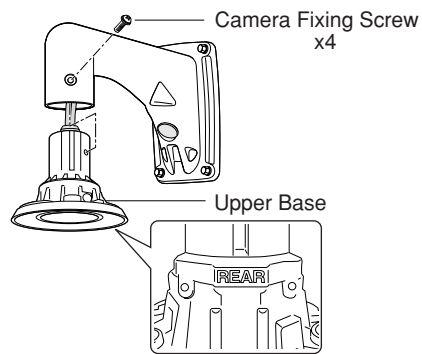
Refer to **CONNECTIONS** in the manual included with the camera.

Warning: Seal the cables with plastic or rubber tape to prevent it from being exposed.

9. Mounting Upper Base

Fix the upper base to the bracket.

- Fasten 4 screws (the screws that were removed in step (2) of "6. Disassembly of Camera") making sure that "REAR" engraved on the upper base faces the wall.



10. Mounting Camera

(1) Aim the START arrow at the bent portion of the leaf spring on top of the camera.

(2) Be sure to hook the fall prevention wire to the bracket.

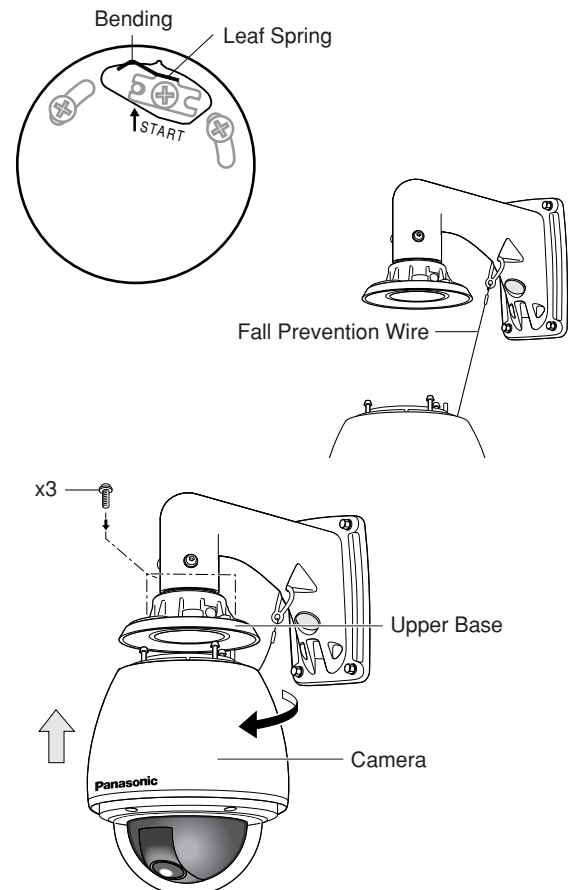
(3) Fix the camera to the upper base.

- Move the camera up so that its guide pins fit into the guide holes of the upper base.
- Turn the camera counter-clockwise to the end, viewed from the bottom.
- Fasten 3 screws (the screws that were removed in step (1) of "6. Disassembly of Camera").

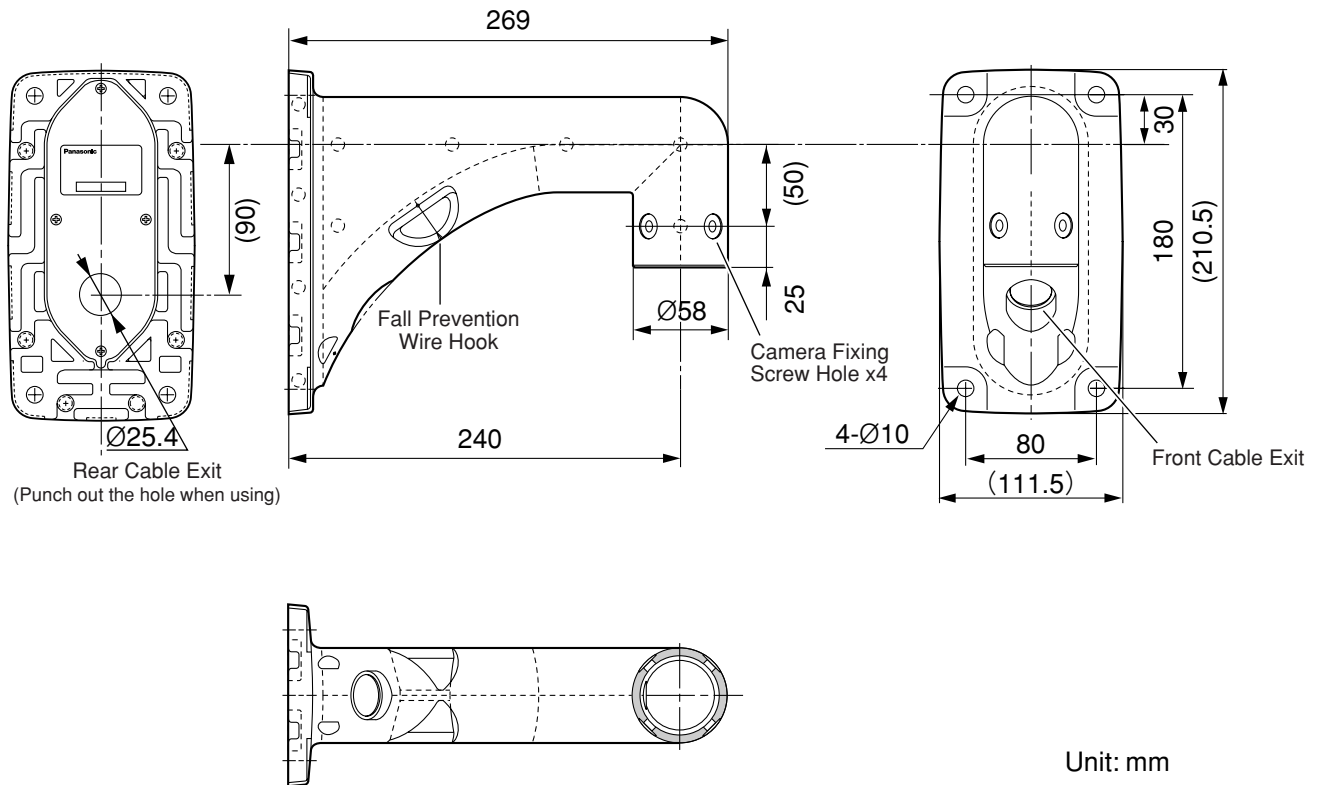
Caution: Tighten the three (3) mounting screws for the upper base.

Recommended torque: Approximately 2.45 N/m {24 kgf cm}

Poorly tightened screws may result in water leaking into the camera or possible fire.



■ Dimensions



■ Specifications

Dimensions: 111.5(W) x 210.5(H) x 269(D) mm
 Weight: 2 kg approx.

Weight and dimensions indicated are approximate.
 Specifications are subject to change without notice.

■ Accessories

Operating Instructions (this manual) 1 pc.
 The following items are for installation.
 Camera Fixing Screw (Hexagon screw (M6))4 pcs.
 Cable Bushing1 pc.
 Blank Bushing.....1 pc.

For U.S. and Canadian fields:

**Panasonic System Networks Company of America,
Unit of Panasonic Corporation of North America**

www.panasonic.com/business/
For customer support, call 1.800.528.6747
Three Panasonic Way, Secaucus, New Jersey 07094 U.S.A.

Panasonic Canada Inc.

5770 Ambler Drive, Mississauga, Ontario, L4W 2T3 Canada
(905)624-5010
www.panasonic.ca

For European and other fields:

Panasonic Corporation

<http://panasonic.net>

Importer's name and address to follow EU rules:

Panasonic Testing Centre
Panasonic Marketing Europe GmbH
Winsbergring 15, 22525 Hamburg F.R.Germany