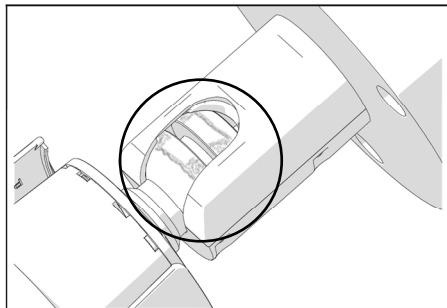


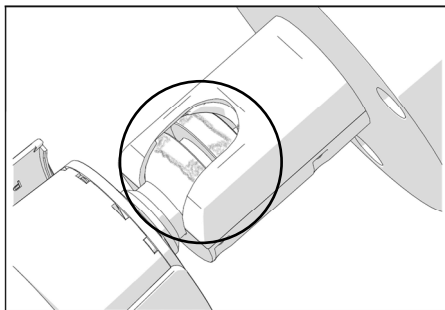
## お知らせ

本製品は構造上、PAN/TILT/YAW 調整時に下図のように擦り跡がつきます。また、出荷時も擦り跡がついている場合がありますが、性能に問題ありません。



## Notice

Due to the structure of this product, scratches will appear when adjusting the PAN/TILT/YAW as shown in the figure below. In addition, scratches may be present at the time of shipping, but this does not affect the performance.



\* PGQW2 5 8 1 Z A \*



avs0225-0  
Printed in China