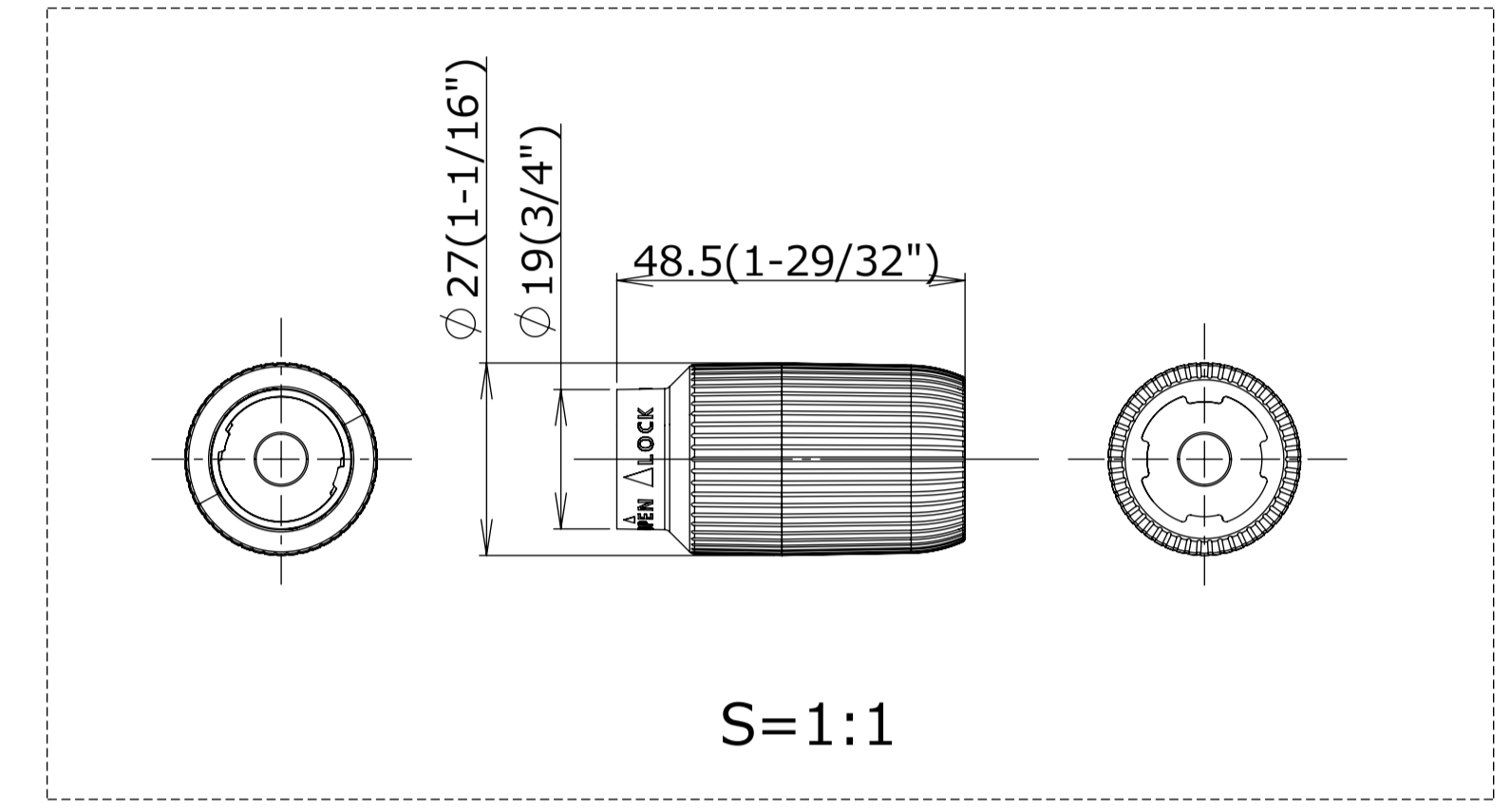
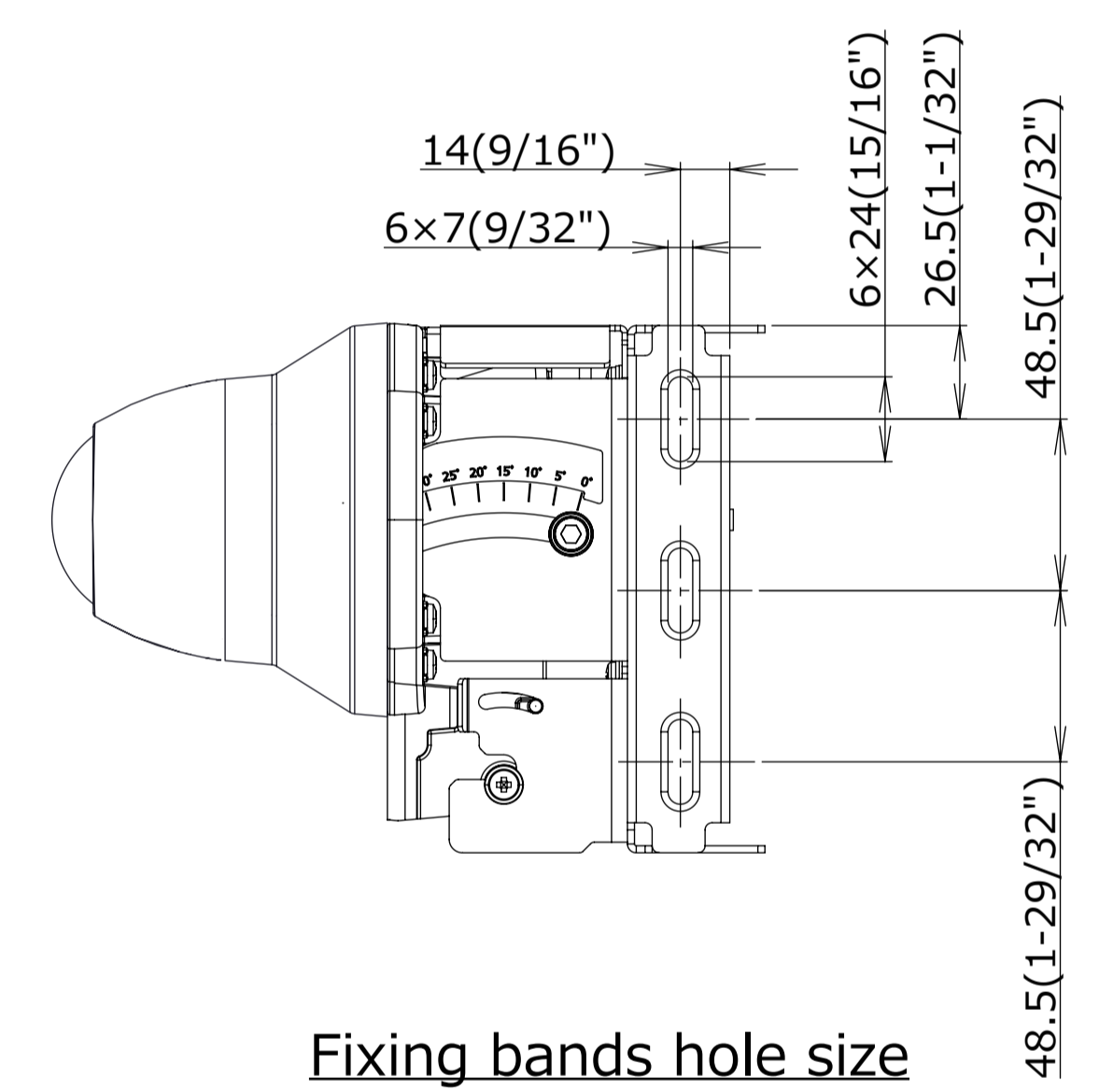
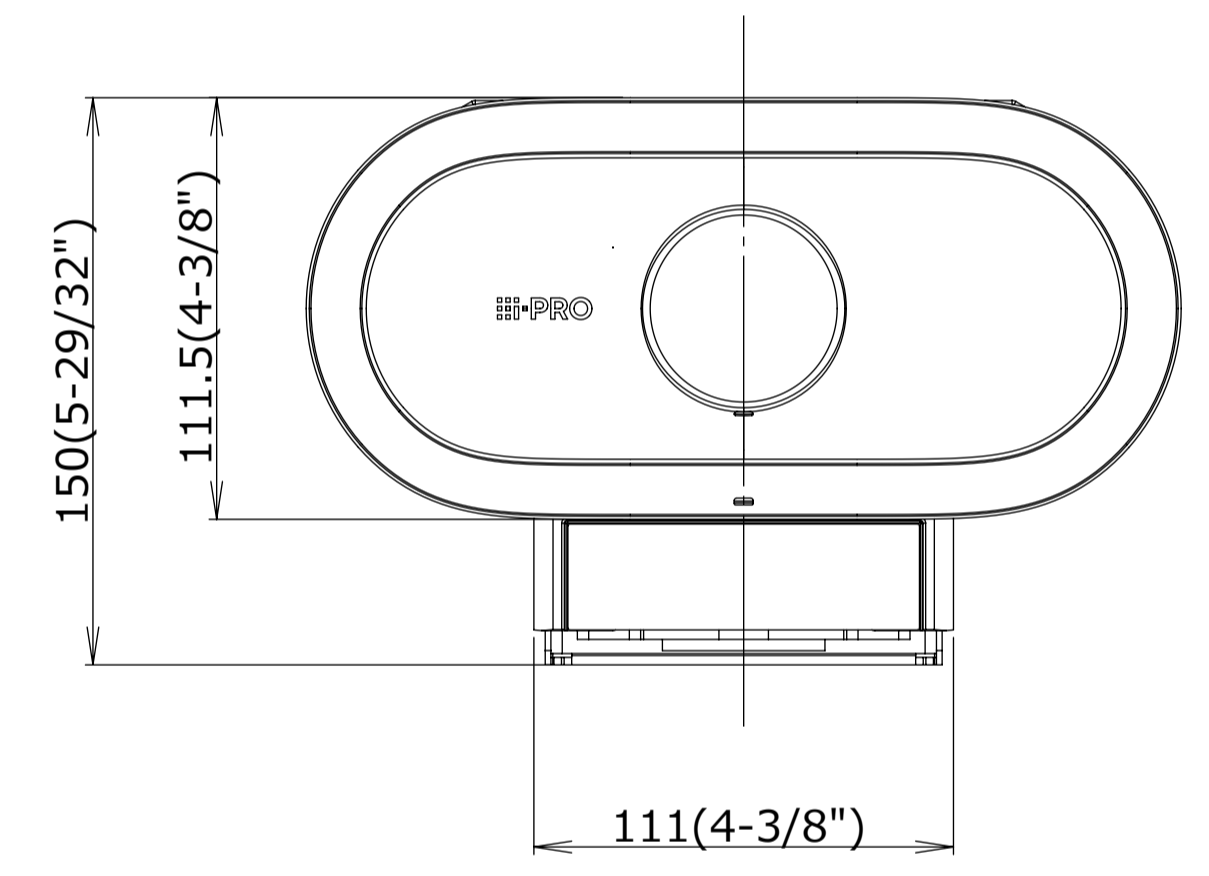
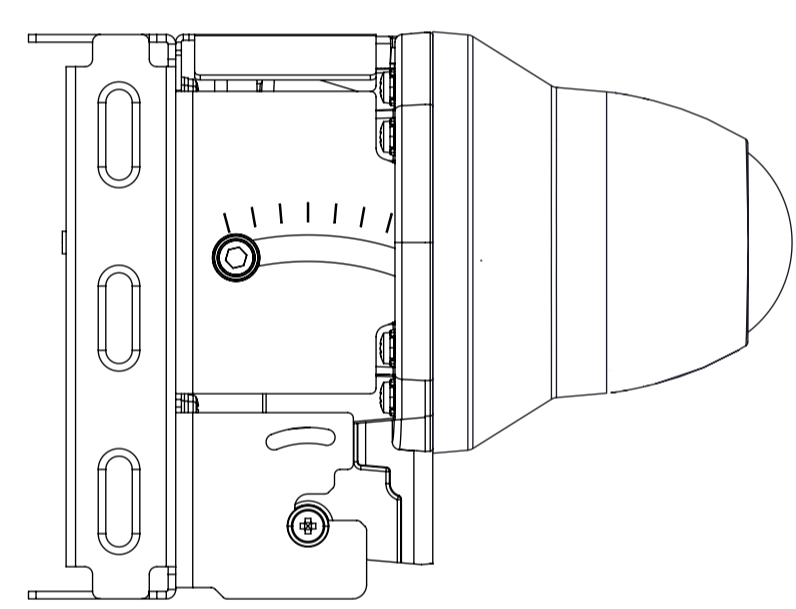


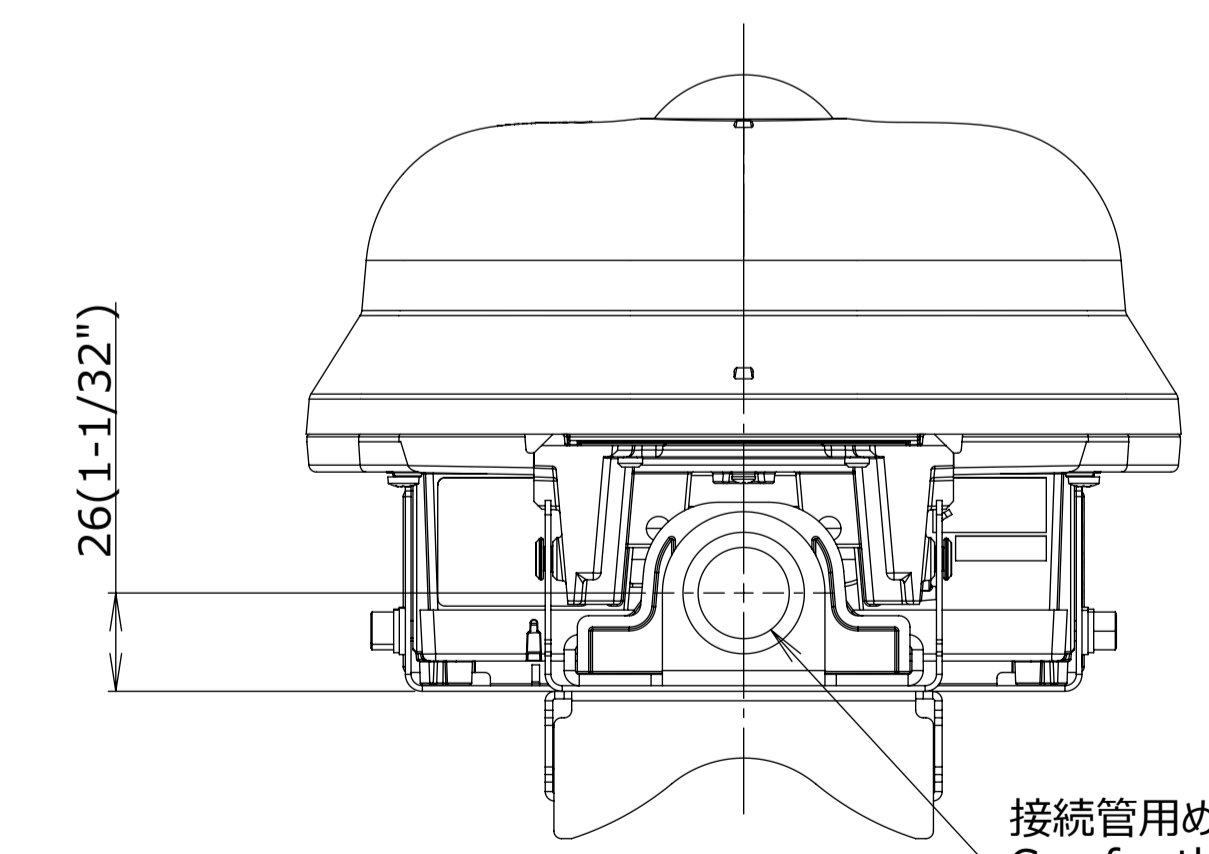
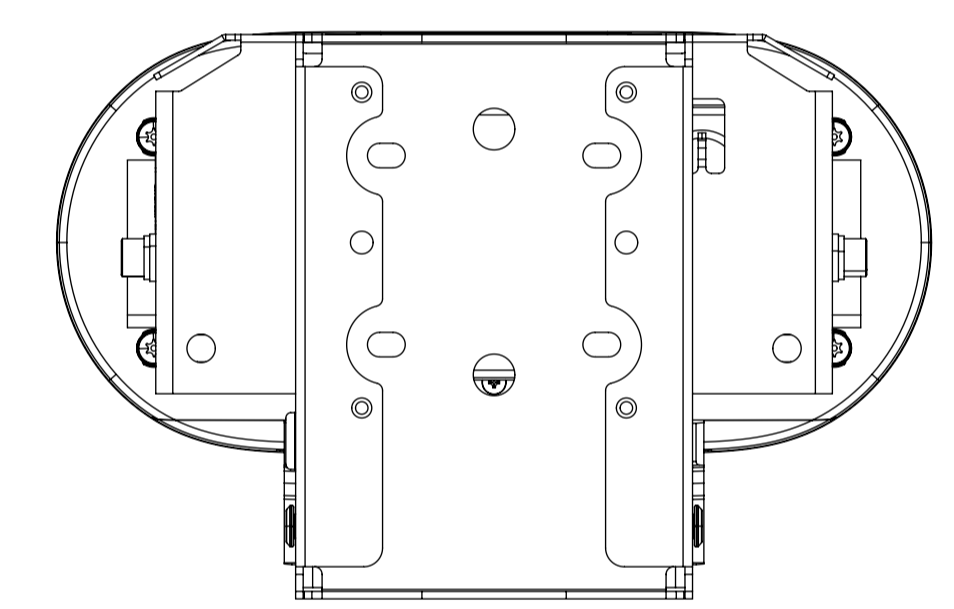
Detail A
S=1 : 1



S=1:1



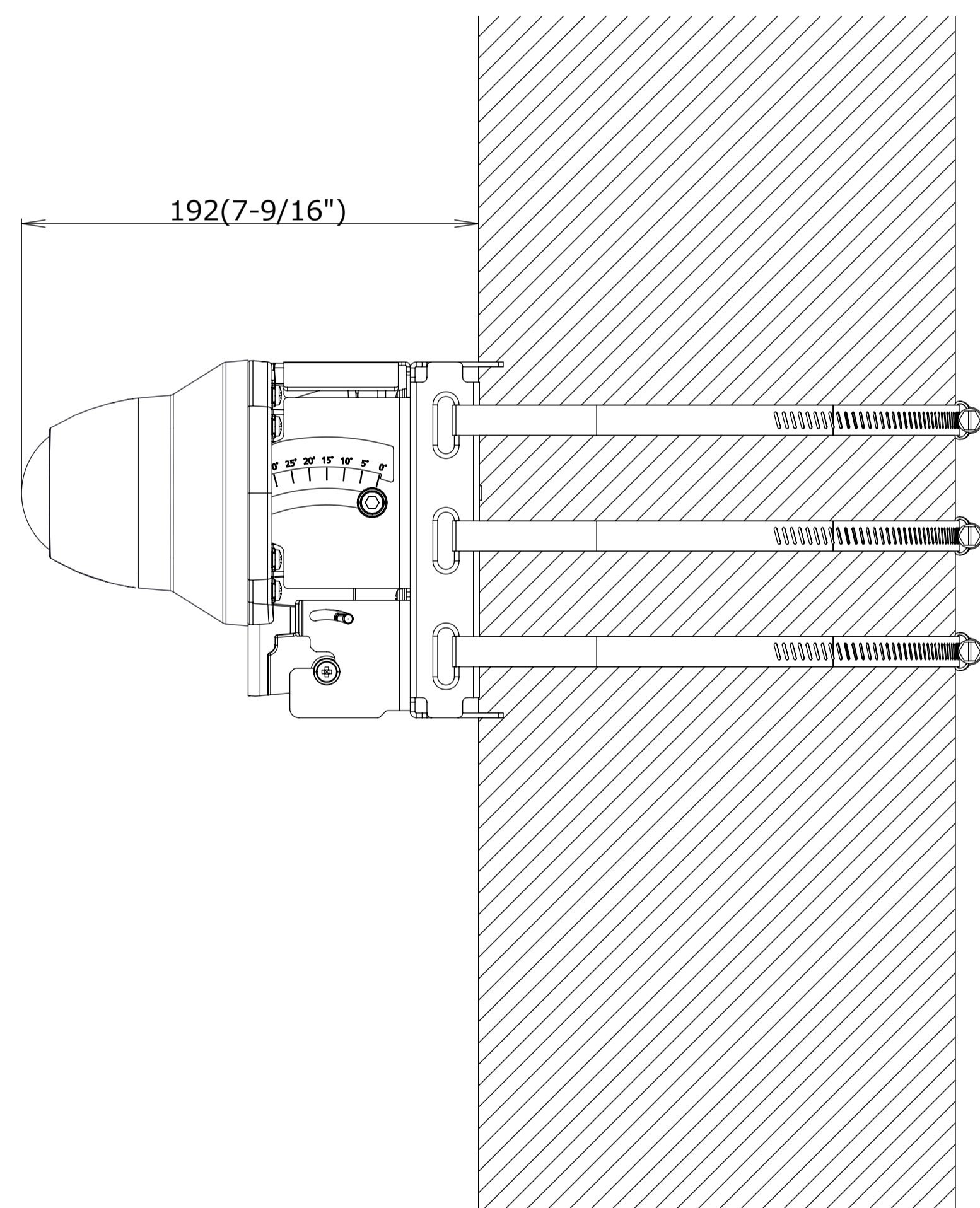
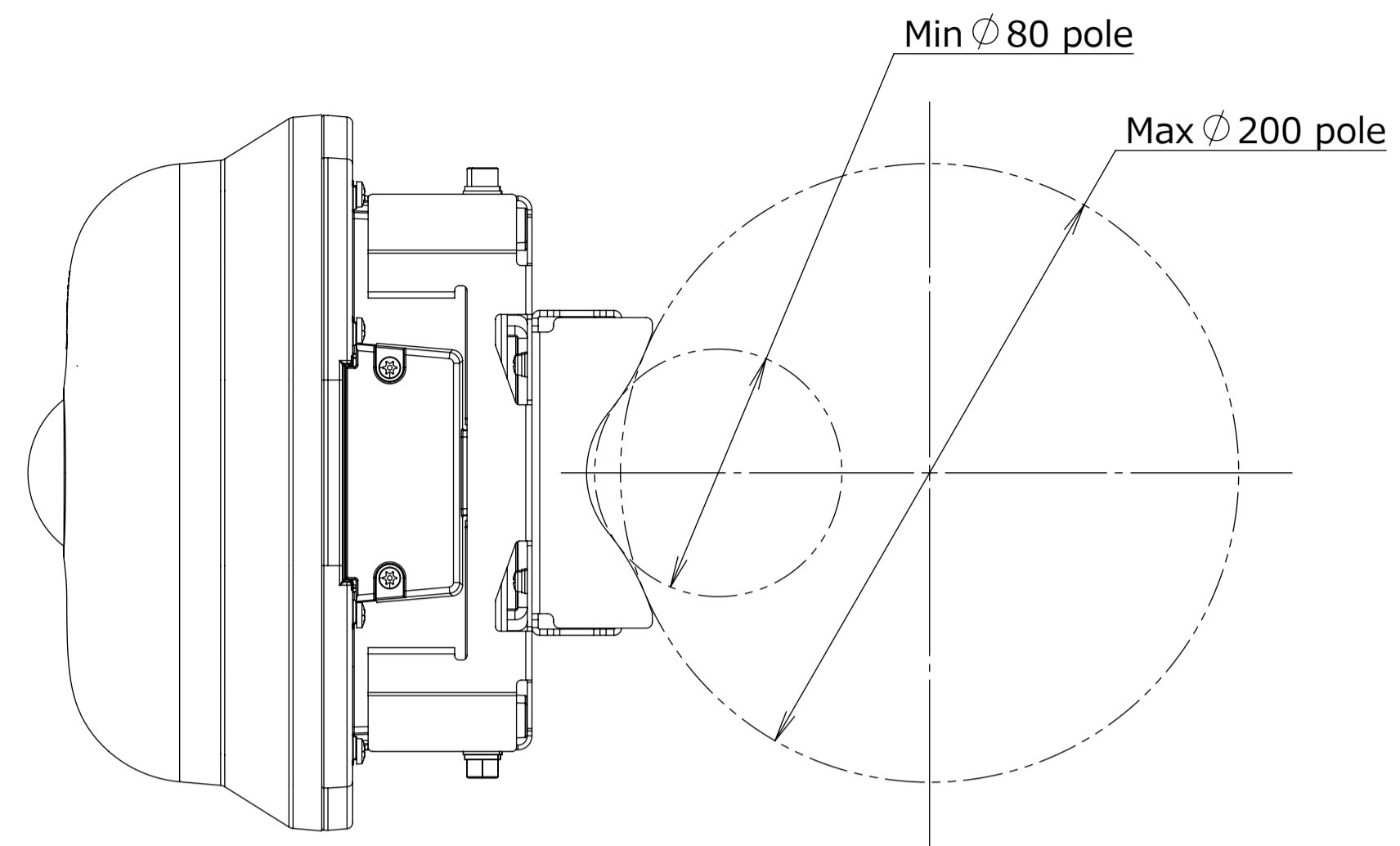
Fixing bands hole size



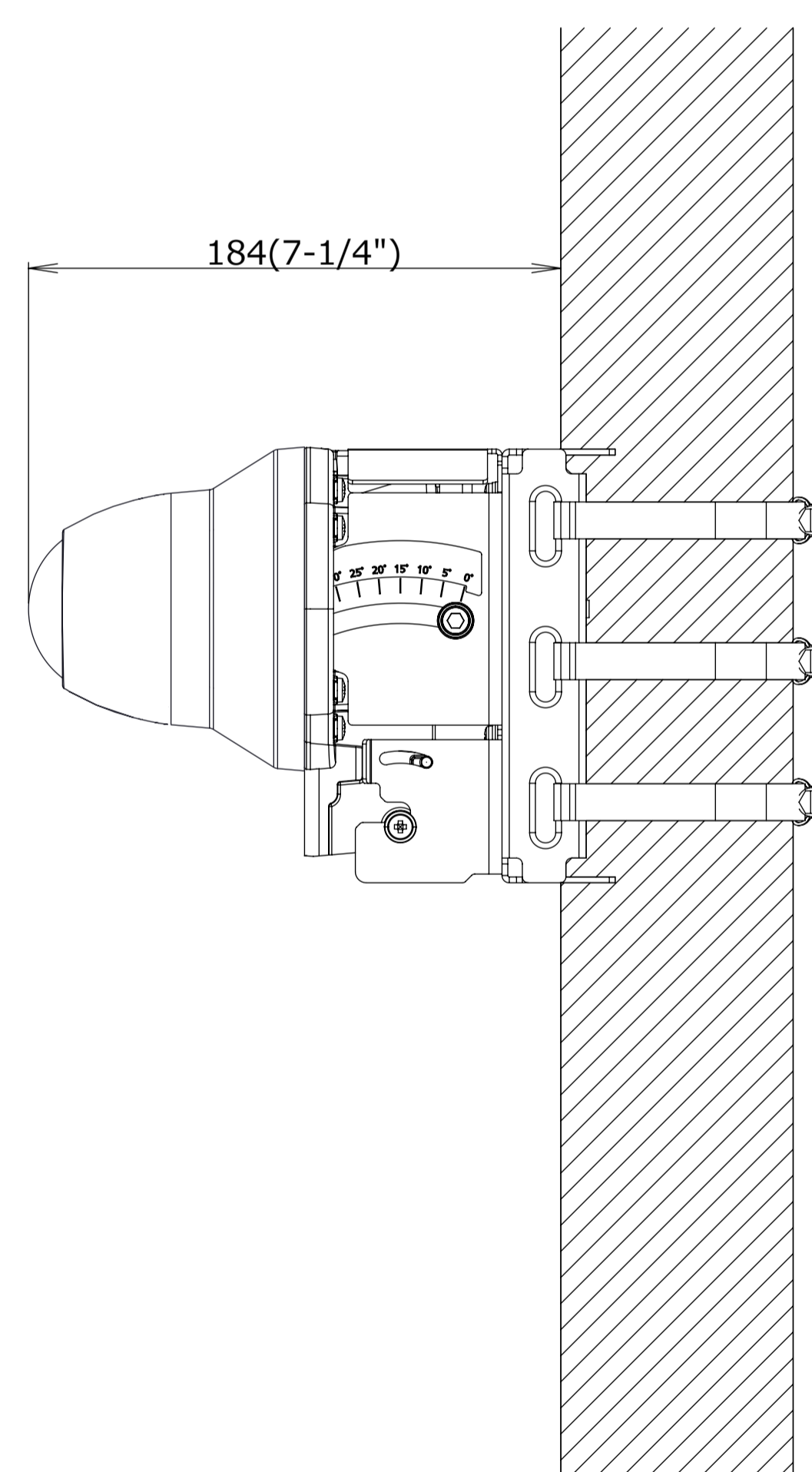
接続管用めねじ
Cap for the female thread for the conduit
JIS C 8305(電線管ねじ)のCTG22、または
JIS B 0202(管用平行ねじ)のG3/4に対応しています。
The female thread for conduit is compliant with
ANSI NPSM (parallel pipe threads) 3/4 or
ISO 228-1 (parallel pipe threads) G3/4.

	投影面積/Projected area
平面図/Top view	0.033(m ²)
側面図/Side-view	0.021(m ²)

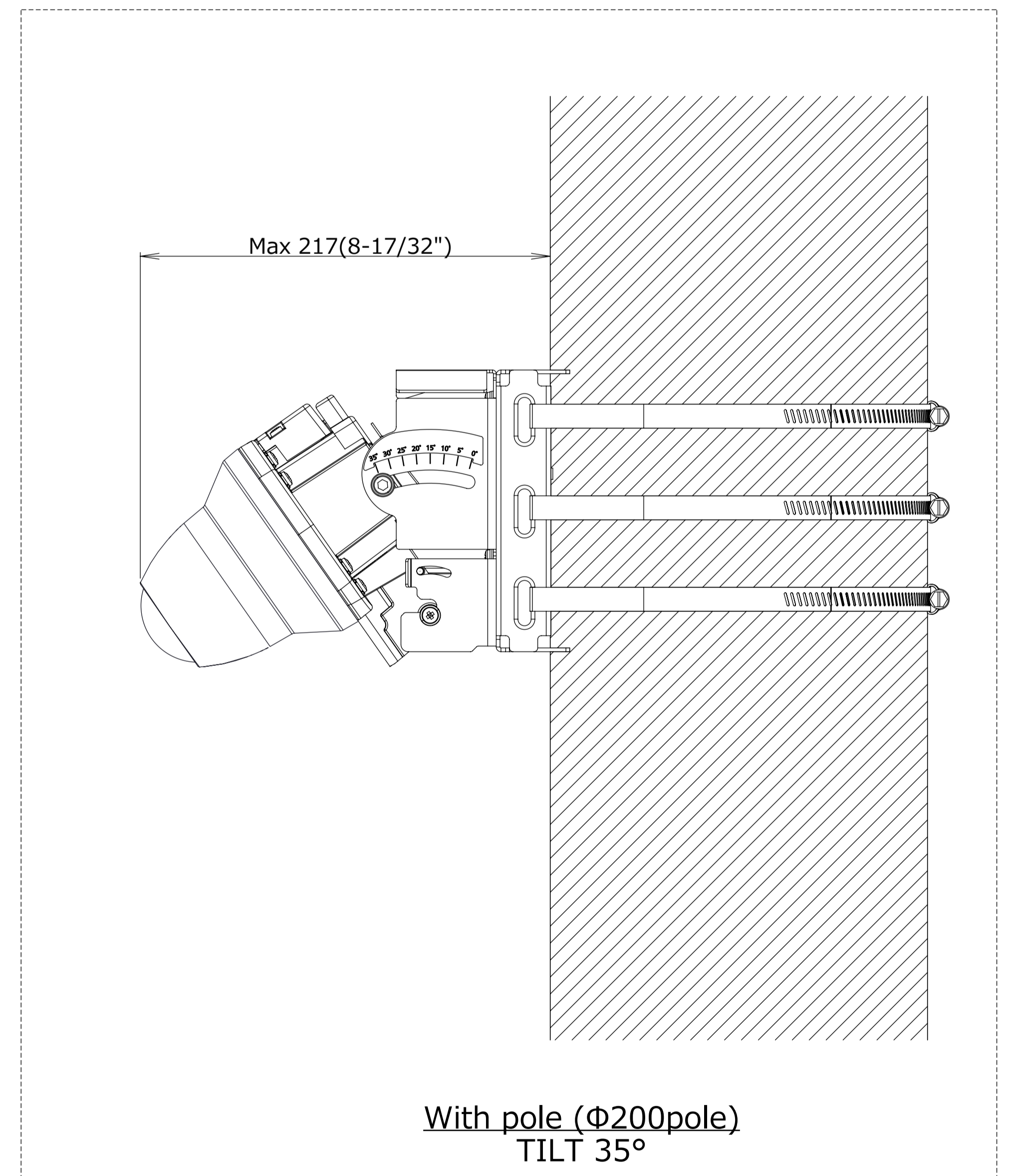
Mass : Approx. 2.6 kg {5.74 lbs}
Approx. 2.1 kg {4.64 lbs} (Without pole mounting bracket)

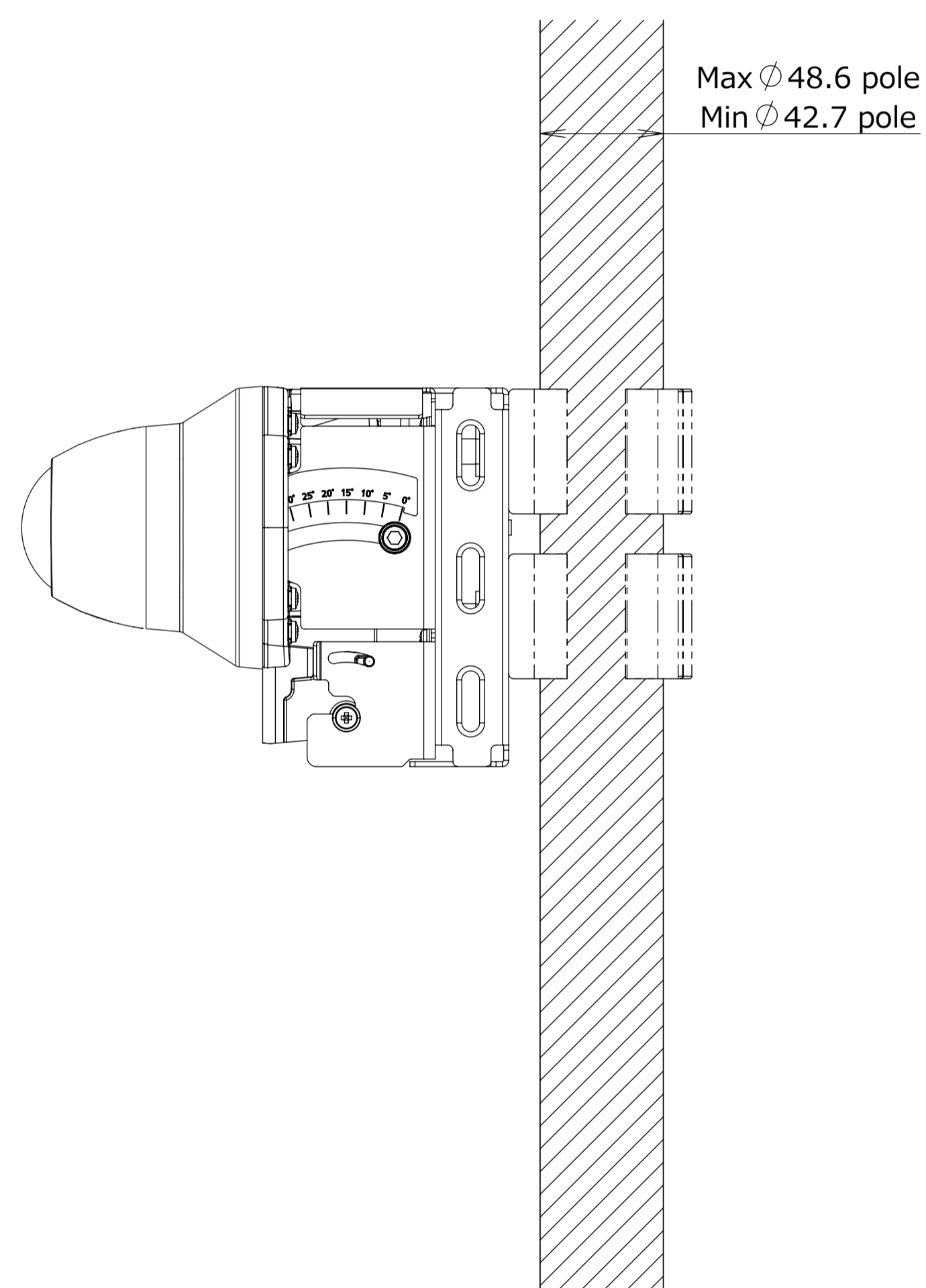


With pole (\varnothing 200pole)

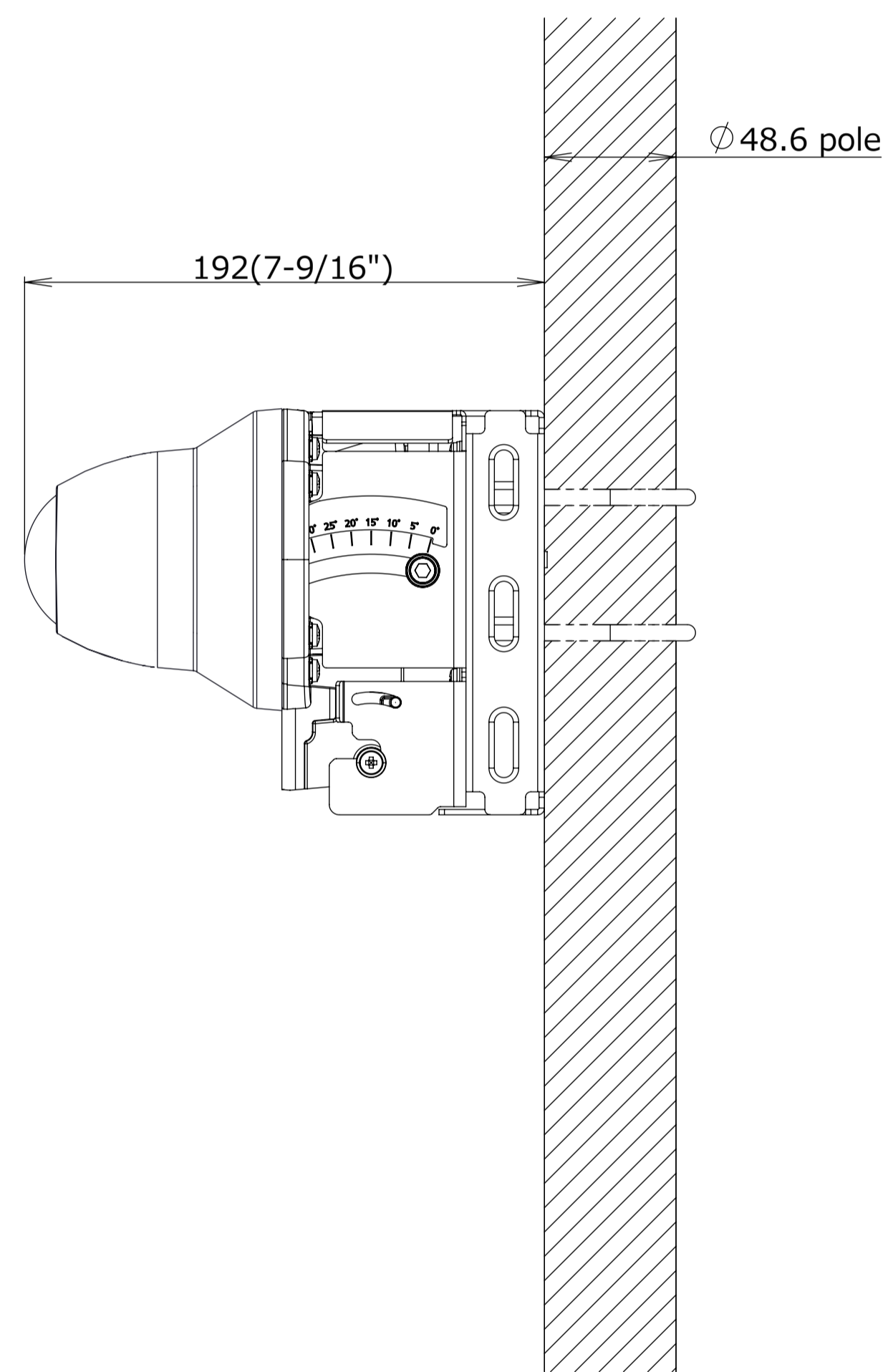


With pole (\varnothing 80pole)

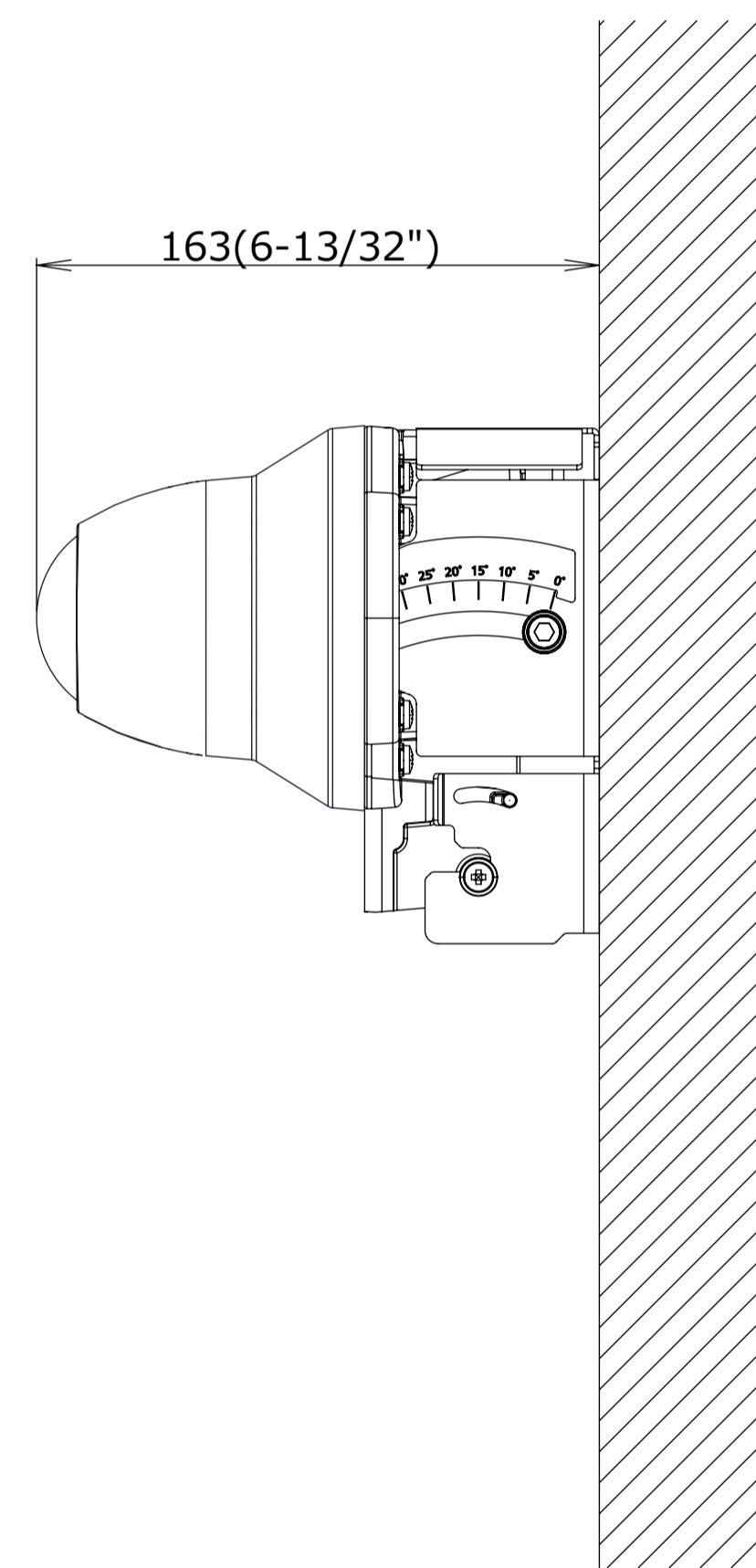




Single tube clamp usage example

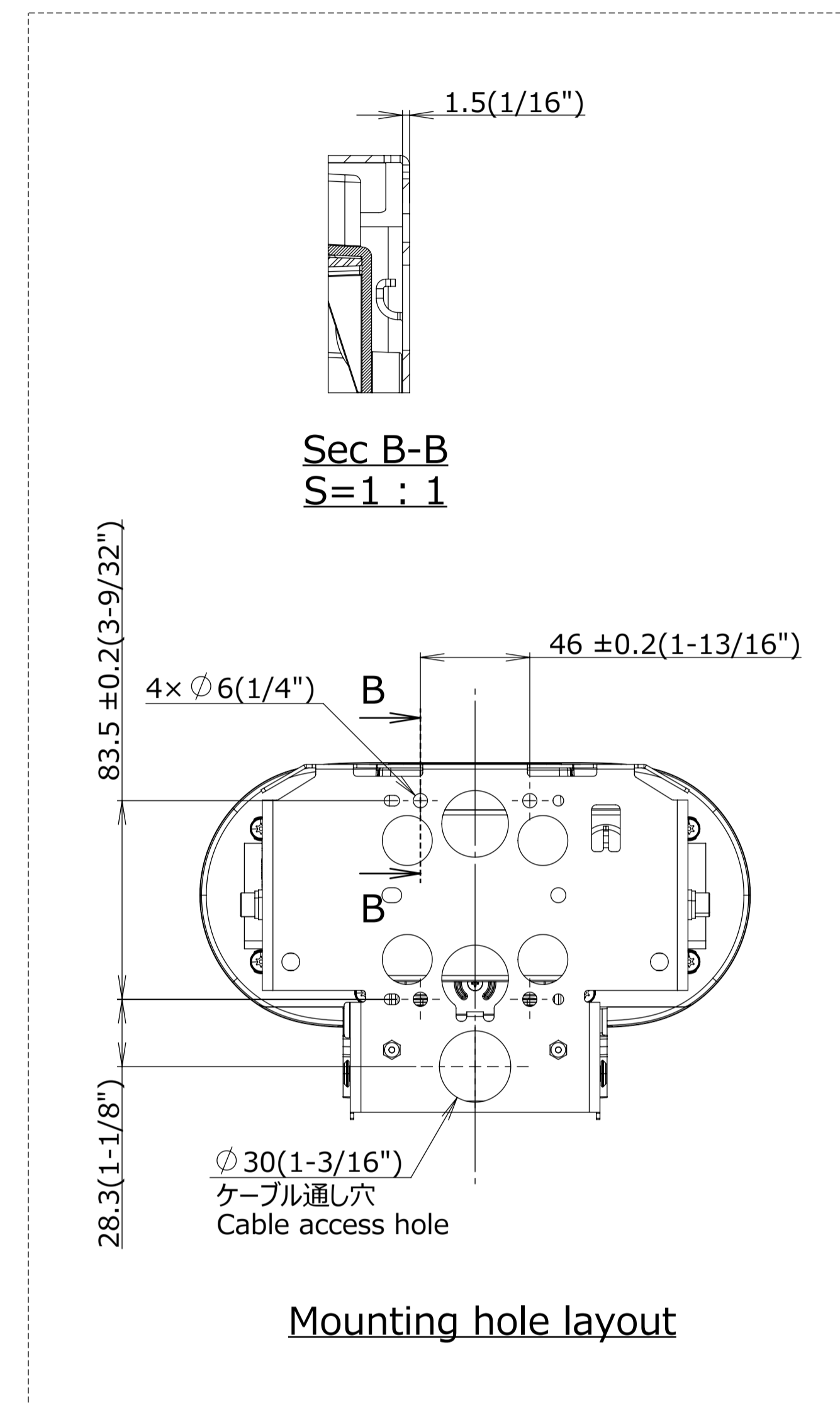


U-bolt usage example



Wall mounting
(Without pole mounting bracket)

	投影面積/Projected area
平面図/Top view	0.030(m ²)
側面図/Side-view	0.017(m ²)



Mounting hole layout