

# WV-S8531N

4 x FHD(8MP) Multi-Directional Network Camera

## i-PRO Extreme H.265 Multi-Directional Camera

The WV-S8531N captures the highest quality images in even very challenging and dynamic environments.



- 4 x FHD(8MP) 1920x1080 up to 30fps
- iA (intelligent Auto)
- Super Dynamic 120dB
- Color night vision (0.003 to 0.05 lx)
- H.265 Smart Coding
- ClearSight Coating
- Continuous view assistance
- Wide range tilt angle adjustment mechanism
- NDAA Compliant



# SPECIFICATIONS

Camera	
Image Sensor	1/2.8 type CMOS image sensor
Minimum Illumination	Color : 0.05 lx, BW : 0.03 lx (50IRE, F2.0, Maximum shutter : Off (1/30s), AGC : 11) Color : 0.003 lx, BW : 0.002 lx (50IRE, F2.0, Maximum shutter : max. 16/30s, AGC : 11)
Intelligent Auto	On / Off
Maximum Shutter	30 fps mode: Max.1/10000s to Max.16/30s 25 fps mode: Max.1/10000s to Max.16/25s
Super Dynamic	On / Off, the level can be set in the range of 0 to 31.
Dynamic Range	Max.120 dB typ. (Super Dynamic : On, level : 31)
Image Settings	Gain (AGC), White balance
Image Compensation	Adaptive black stretch, Back light compensation (BLC), High light compensation (HLC), Fog compensation, Digital noise reduction
Color/BW (ICR)	Off / On / Auto1 (Normal) / Auto2 (IR Light) / Auto3 (SCC)
Video Motion Detection (VMD)	On / Off, 4 areas available
Privacy Zone	On / Off, up to 8 zones available
Upside-down	On / Off
Camera Title (OSD)	On / Off, Up to 20 characters (alphanumeric characters, marks)
Adjusting angle	Camera 1, 2, 3 : Horizontal (PAN) angle : 360 ° Vertical (TILT) angle : +30 ° to + 80 ° Azimuth (YAW) angle : ±50 ° Camera 4 : Horizontal (PAN) angle : 360 ° Vertical (TILT) angle : -15 ° to + 80 ° Azimuth (YAW) angle : ±50 ° *The above is the adjustable range of a single camera. The adjustable range of each camera varies according to the positional relationship with other cameras.

Lens	
Zoom Ratio	2.5x Optical zoom (Motorized zoom / Motorized focus) 7.5x Extra Optical Zoom (when resolution is 640x360)
Digital (electronic) zoom	Choose from 3 levels of x1, x2, x4
Focal length	2.9 mm – 7.3 mm {1/8 inches – 7/32 inches}
Maximum Aperture Ratio	1 : 2.0 (WIDE) – 1 : 3.0 (TELE)
Focus range	1.5 m {4.92 feet} – ∞
Angular Field of View	[16 : 9] Horizontal : 45 ° (TELE) – 104 ° (WIDE) Vertical : 25 ° (TELE) – 58 ° (WIDE)

DORI	
Detect (25ppm / 8ppf)	Wide: 30 m / 98.4 ft, Tele: 92.7 m / 304.2 ft
Observe (62.5ppm / 19ppf)	Wide: 12 m / 39.4 ft, Tele: 37.1 m / 121.7 ft
Recognize (125ppm / 38ppf)	Wide: 6 m / 19.7 ft, Tele: 18.5 m / 60.8 ft

Identify (250ppm / 76ppf)	Wide: 3 m / 9.8 ft, Tele: 9.3 m / 30.4 ft
---------------------------	---

## Browser GUI

Camera Control	Brightness
GUI / Setup Menu Language	English, Italian, French, German, Spanish, Portuguese, Russian, Chinese, Japanese

## Network

Network IF	10Base-T / 100Base-TX / 1000Base-T, RJ45 connector
Resolution	[16 : 9 mode] *Cannot be changed. 1920 x 1080 / 1280 x 720 / 640 x 360 / 320 x 180
H.265/H.264	[Transmission Mode] Constant bit rate / VBR / Frame rate / Best effort [Transmission Type] Unicast port(AUTO) / Unicast port(MANUAL) / Multicast
JPEG	[Image Quality] 10 steps
Smart Coding	GOP (Group of pictures) control : On (Frame rate control)* / On (Advanced)* / On (Mid) / On (Low) / Off *On (Frame rate control) and On (Advanced) are only available with H.265. Auto VIQS : On / Off
Supported Protocol	IPv6 : TCP/IP, UDP/IP, HTTP, HTTPS, SSL / TLS, SMTP, DNS, NTP, SNMP, DHCPv6, RTP, MLD, ICMP, ARP, IEEE 802.1X, DiffServ, MQTT, LLTP IPv4 : TCP/IP, UDP/IP, HTTP, HTTPS, SSL / TLS, RTSP, RTP, RTP/RTCP, SMTP, DHCP, DNS, DDNS, NTP, SNMP, UPnP, IGMP, ICMP, ARP, IEEE 802.1X, DiffServ, MQTT, LLTP
Maximum concurrent access number	Up to 24 users (Depends on network conditions)
SDXC/SDHC/SD Memory Card (Option)	H.265 / H.264 recording : Manual REC / Alarm REC (Pre/Post) / Schedule REC Compatible SDXC/SDHC/SD card : i-PRO 32 GB*, 64 GB**, 128 GB**, 256 GB**, 512GB** model *SDHC card, ** SDXC card (except miniSD card and microSD card)
Mobile Terminal Compatibility	iPad / iPhone, Android™ terminals
ONVIF® Profile	G / S

## Alarm

Alarm Source	VMD alarm, Command alarm
Alarm Actions	SDXC/SDHC/SD memory recording, E-mail notification, HTTP alarm notification, Indication on browser, TCP alarm notification output

## General

Safety	UL (UL60950-1), c-UL (CSA C22.2 No.60950-1), CE, IEC60950-1
EMC	FCC (Part15 ClassA), ICES003 ClassA, EN55032 ClassB, EN55024
Power Source and Power Consumption	PoE+ (IEEE802.3at compliant): DC 54V 390 mA, Approx. 22 W(Class4 device)
Ambient Operating Temperature	-40 °C to +60 °C {-40 °F to +140 °F} {Power On range : -20 °C to +60 °C (-4 °F to +140 °F)}
Ambient Operating Humidity	10 to 100 % (no condensation)
Dehumidification Device	Rosahl element
Water and Dust Resistance	IP66 (IEC60529), Type 4X (UL50E), NEMA 4X compliant
Shock Resistance	IK10 (IEC62262)
Wind Resistance	Up to 40 m/s {approx. 89 mph}
Dimensions	When using the attachment plate only : ø230 mm x 196 mm (H) {ø9-1/16 inches x 7-23/32 inches (H)}, Dome radius 80 mm {3-5/32 inches}
Mass (Approx.)	When using the attachment plate only : Approx. 2.7 kg {5.95 lbs}

Finish

Main body : Aluminum die cast, i-PRO white,  
Outer fixing screws : Stainless steel (Corrosion-resistant treatment)  
Dome cover : Polycarbonate resin (with ClearSight coating), Clear

## NOTES

### Important

- Safety Precautions : Carefully read the Basic Information, Installation Guide and Operating Instructions before using this product.
- i-PRO Co., Ltd. cannot be held responsible for the performance of the network and/or other manufacturers' products used on the network.
- Masses and dimensions are approximate. Specifications are subject to change without notice.

### Trademarks and registered trademarks

- iPad and iPhone are trademarks of Apple Inc., registered in the U.S. and other countries. - Android is a trademark of Google LLC.
- ONVIF is a trademark of ONVIF, Inc.
- All other trademarks identified herein are the property of their respective owners

©i-PRO Co., Ltd All rights reserved / November 2022

## OPTIONAL ACCESSORIES

Select a compatible accessory

[Accessory Selector \(i-pro.com\)](http://i-pro.com).



WV-QSR502A-W  
Mount Bracket



WV-QWL501-W  
Mount Bracket



WV-QPL500-W  
Mount Bracket



WV-QCN500-W  
Mount Bracket



WV-QCL501-W  
Mount Bracket



WV-QCL101-W  
Mount Bracket



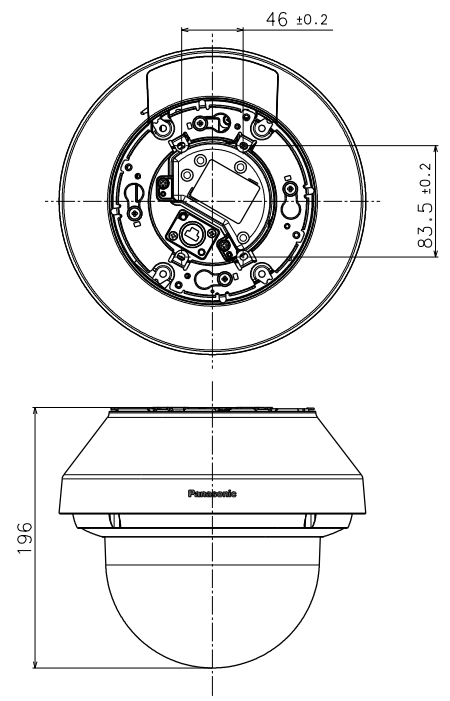
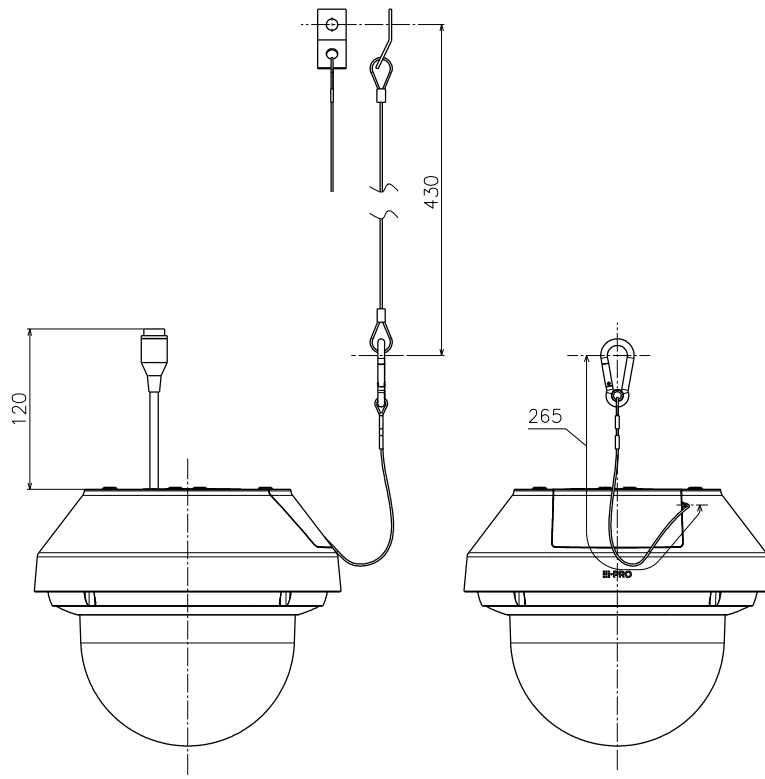
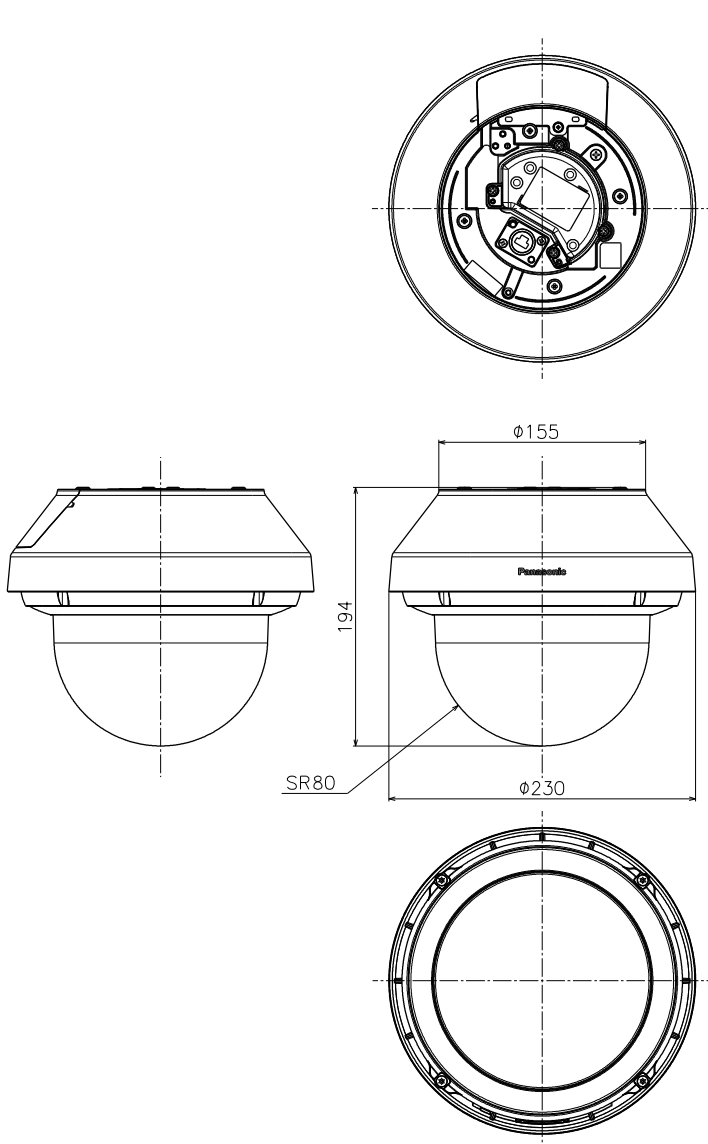
WV-Q105A  
Mount Bracket



WV-QJB501-W  
Base Bracket



WV-QAT500-W  
Attachment pipe



With Attachment Plate

侧面图/Side-view	投影面积/Projected area
	0.032 (m <sup>2</sup> )

Weight : Approx. 2.7 kg {5.96 lbs} (When using the attachment plate)

WV-S8531N