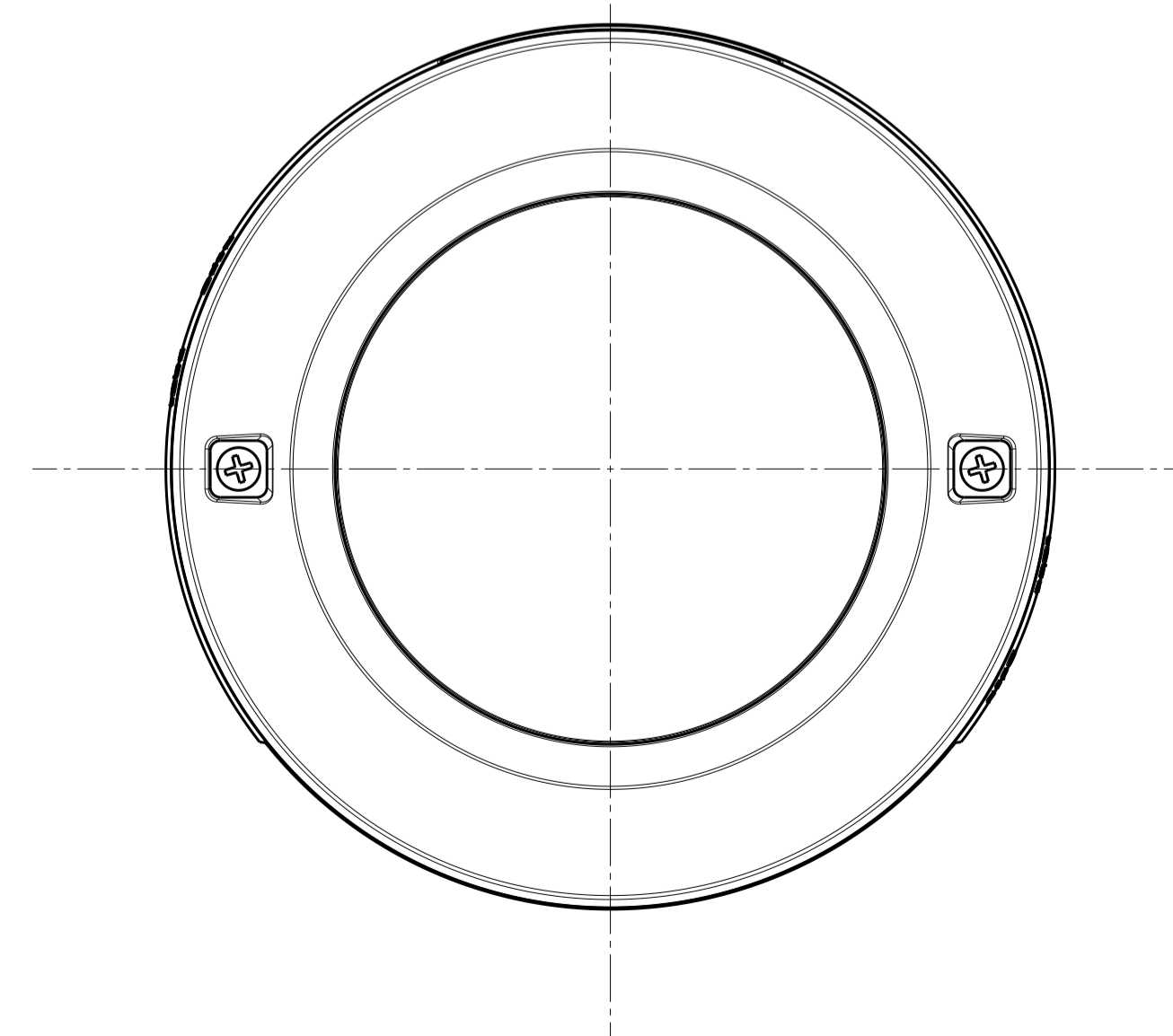
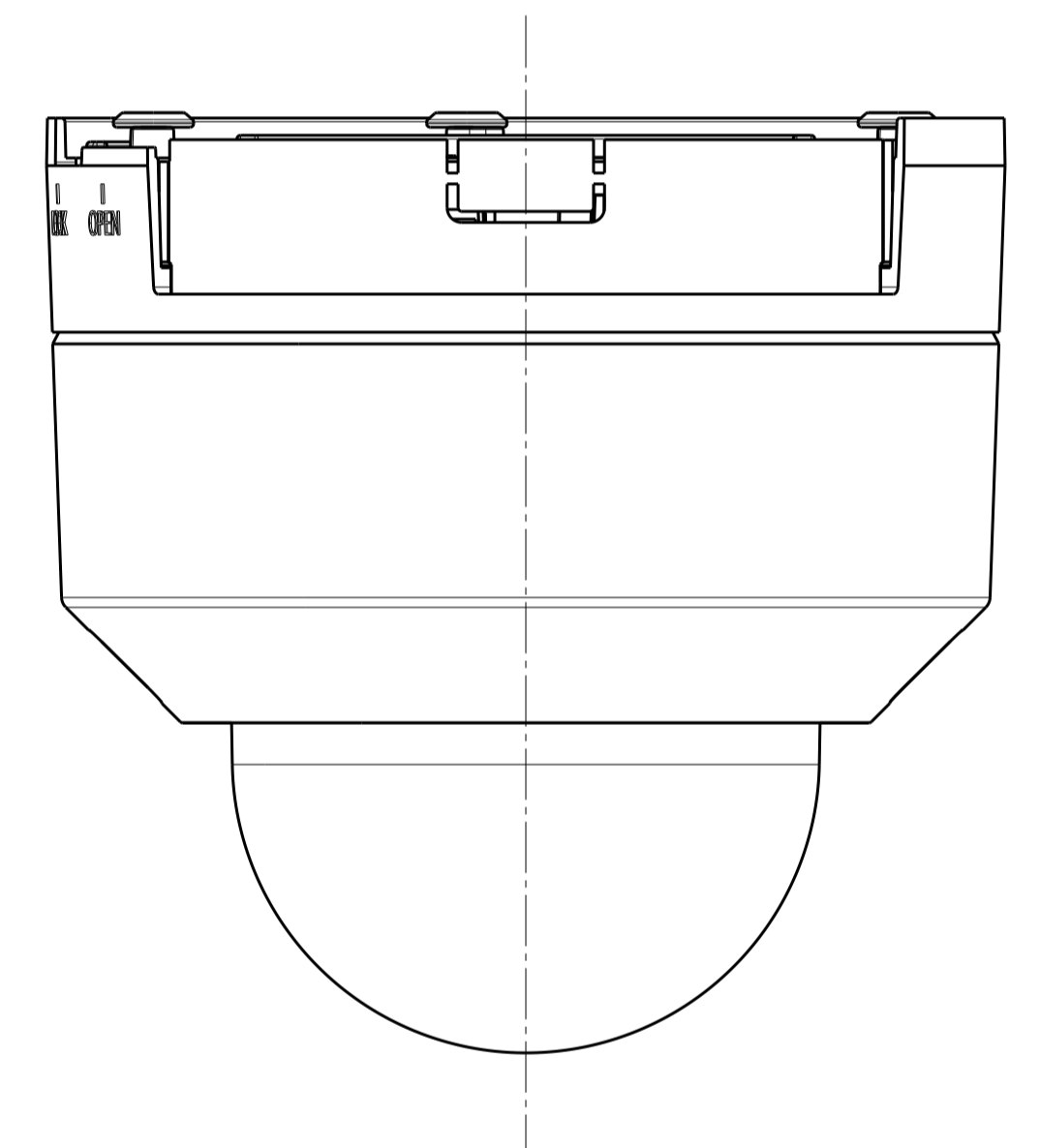
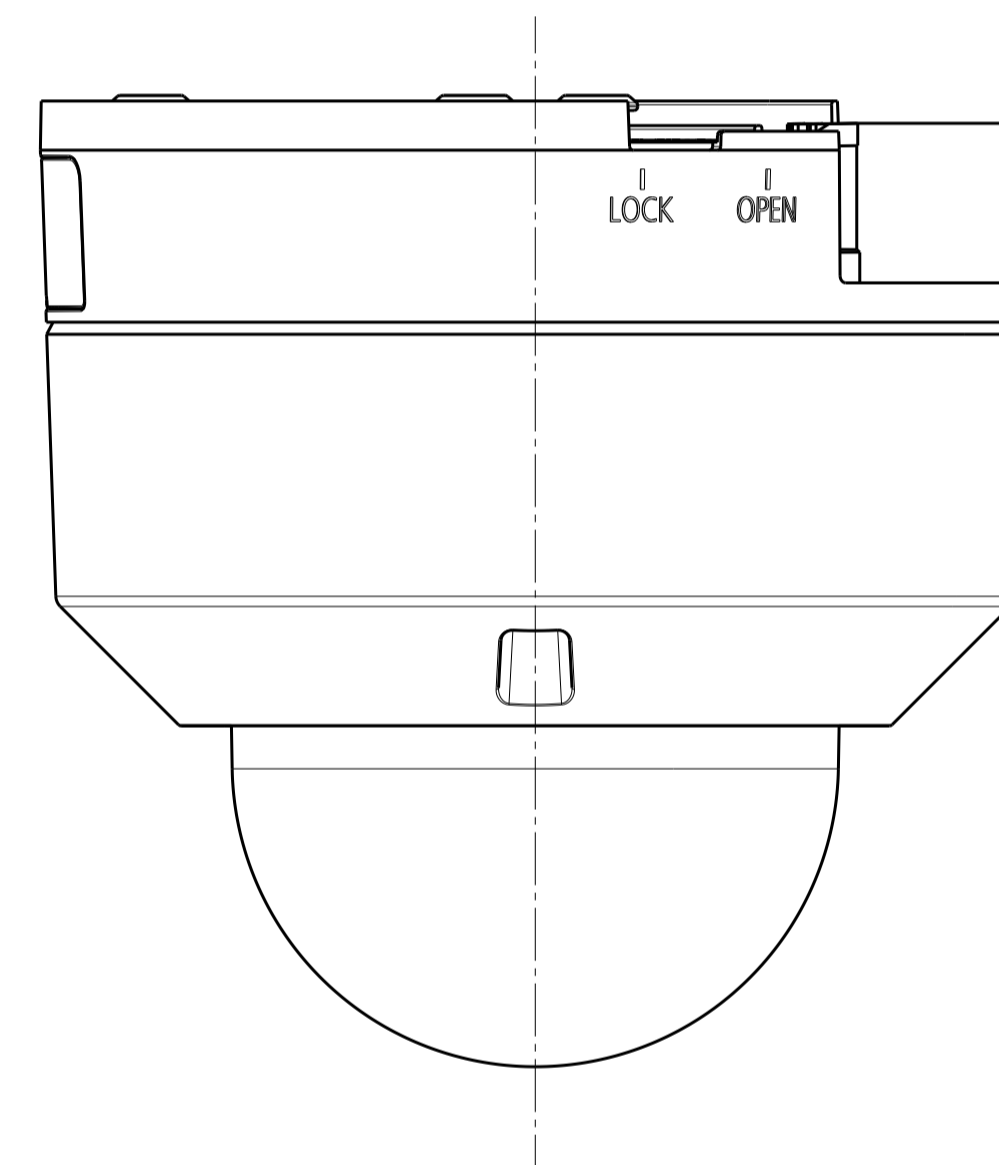
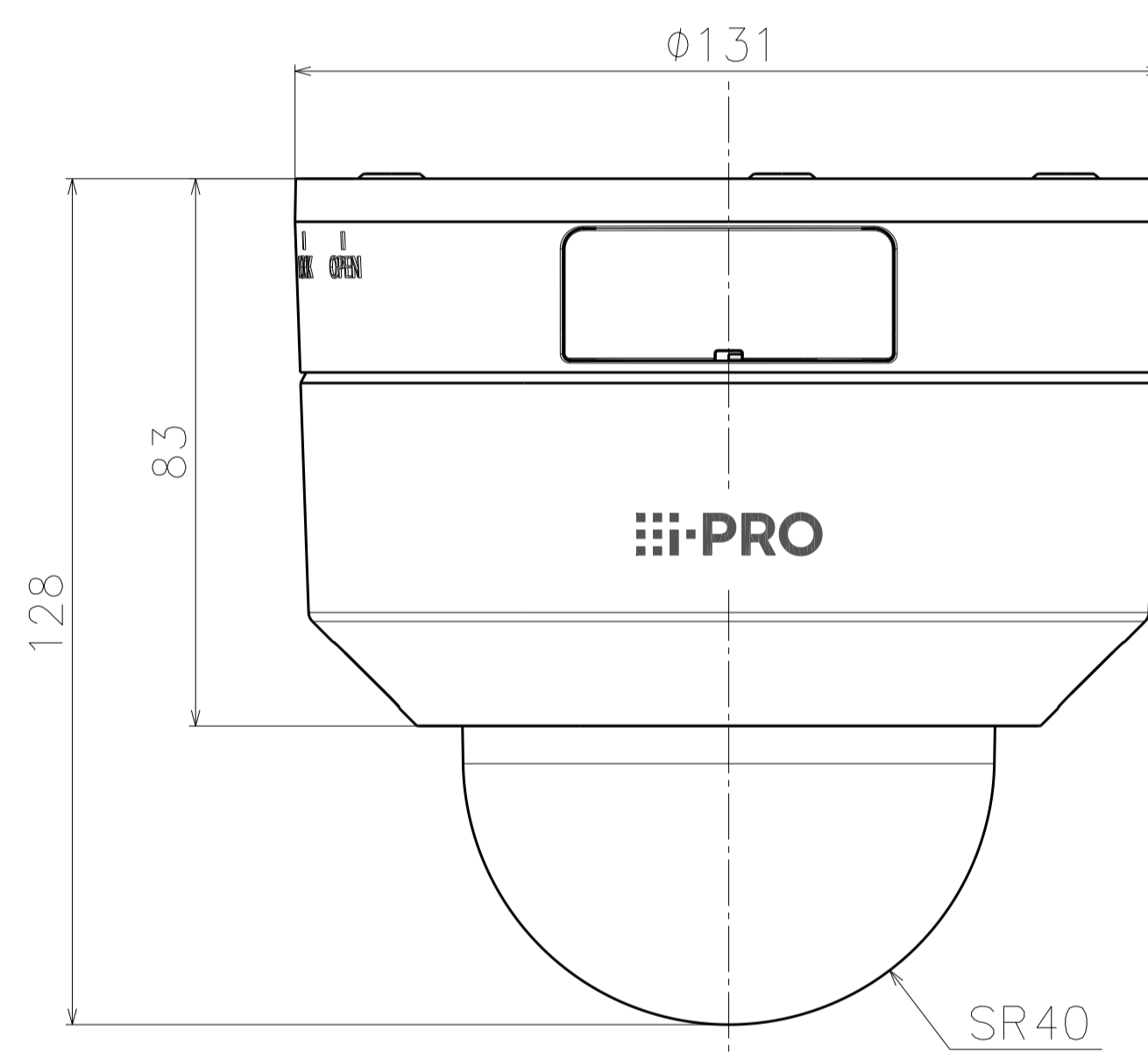
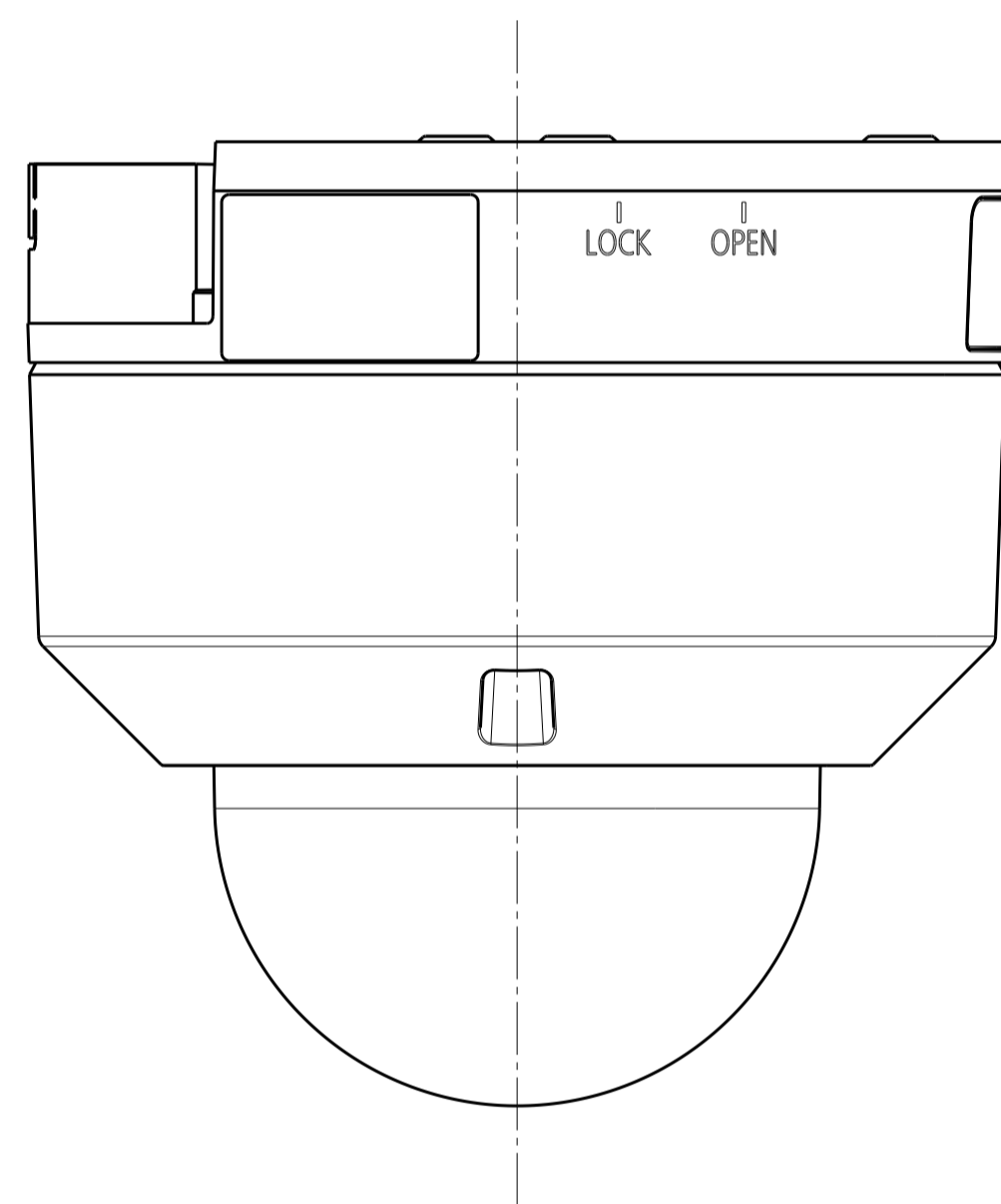
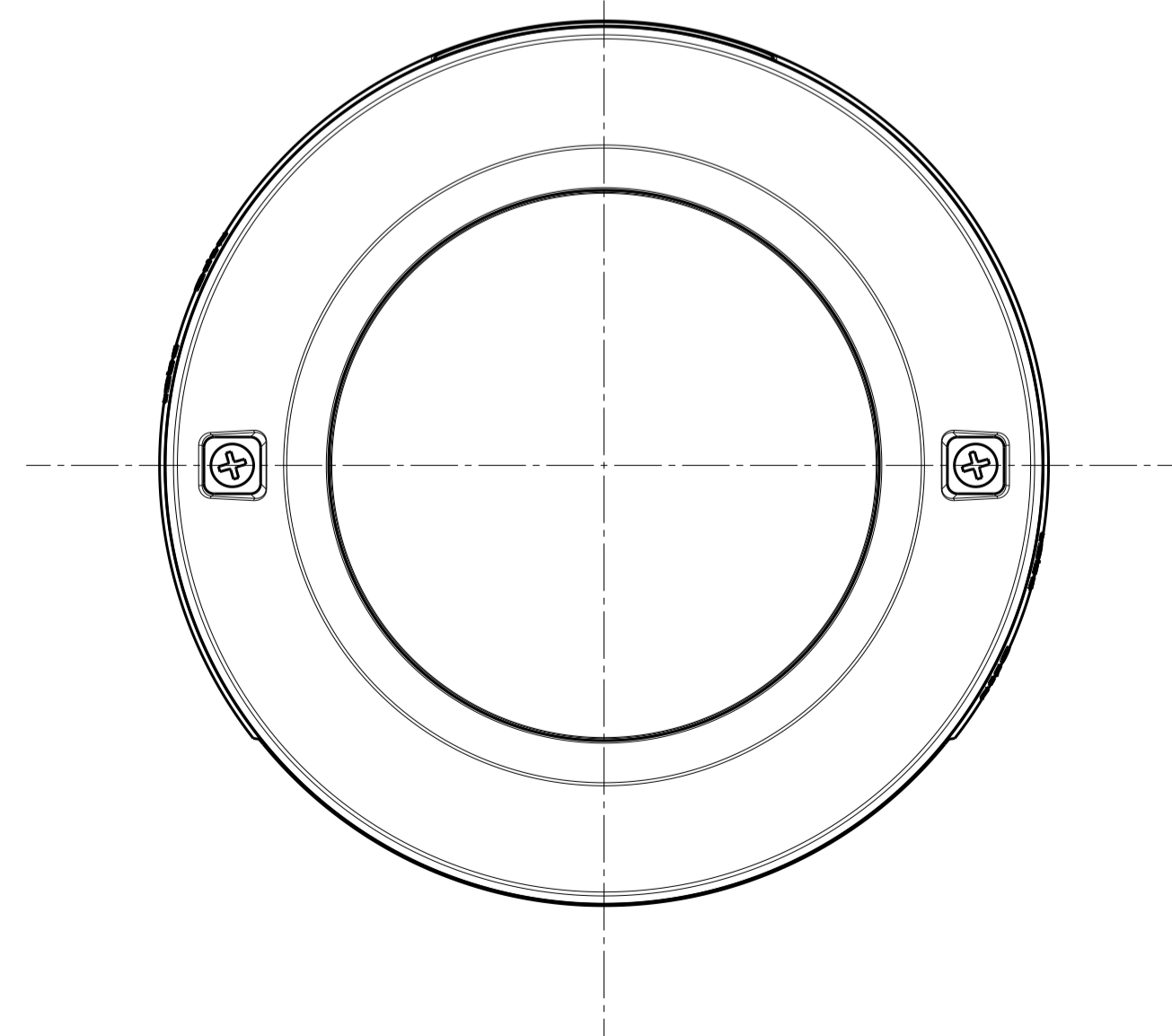
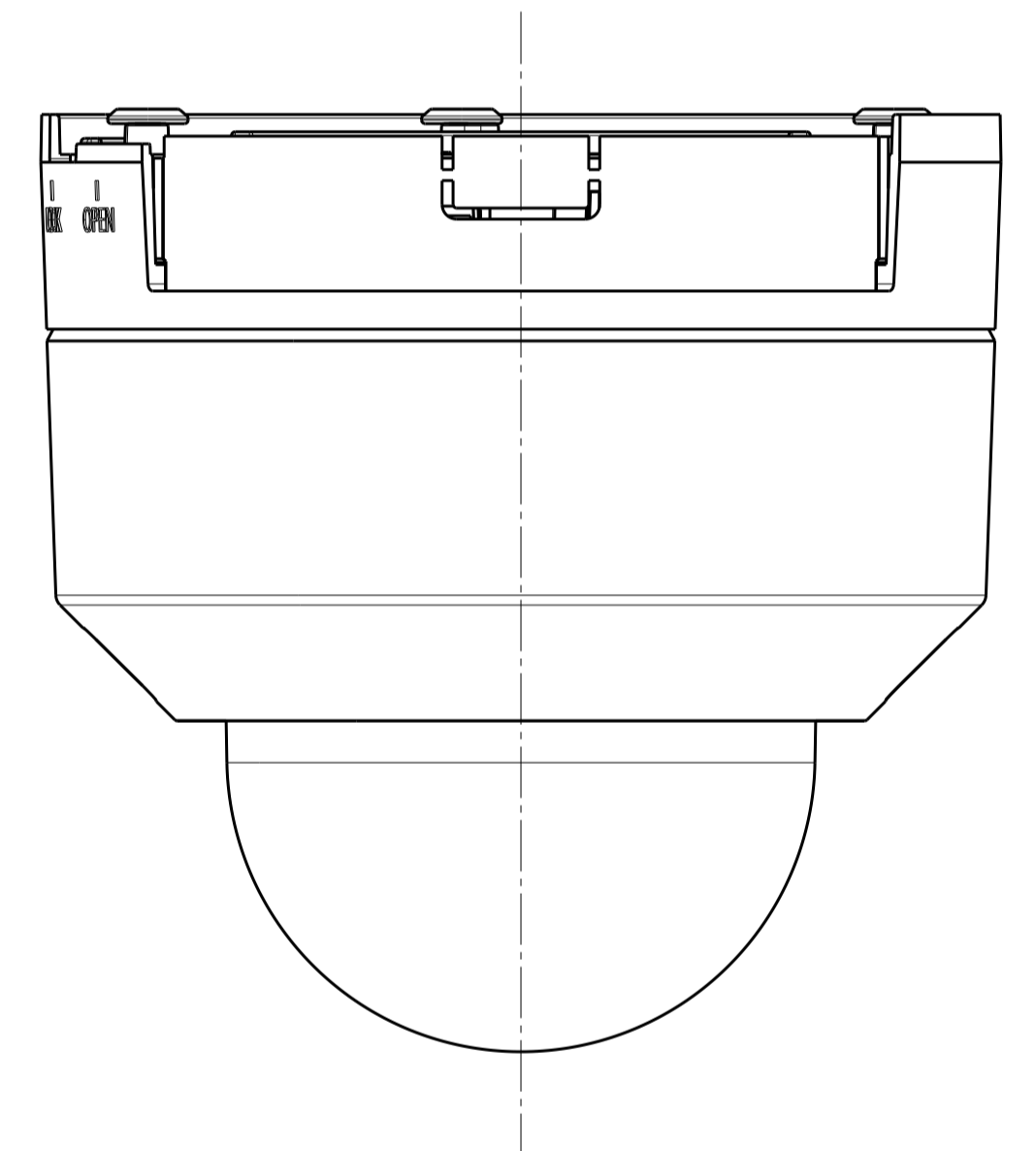
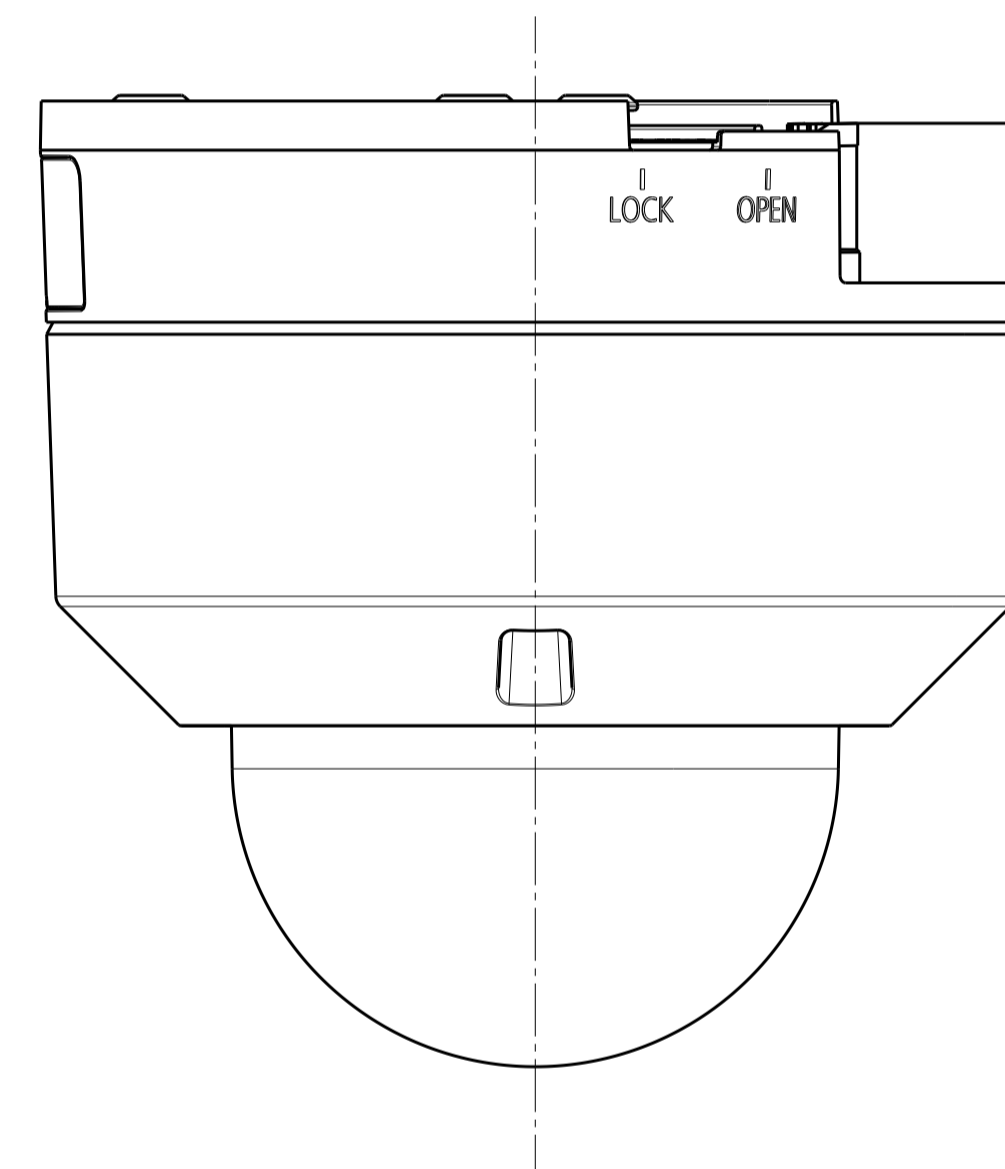
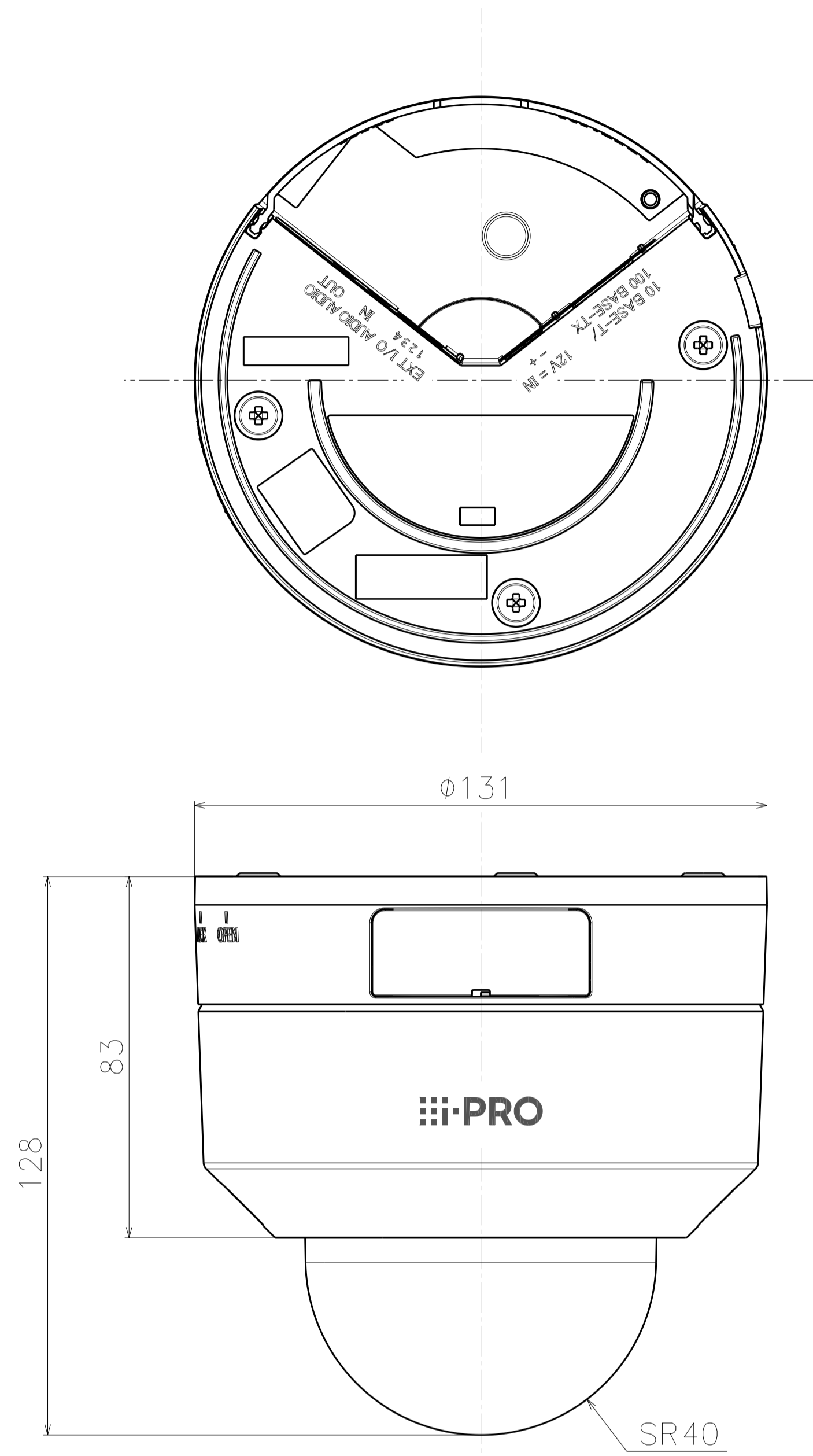
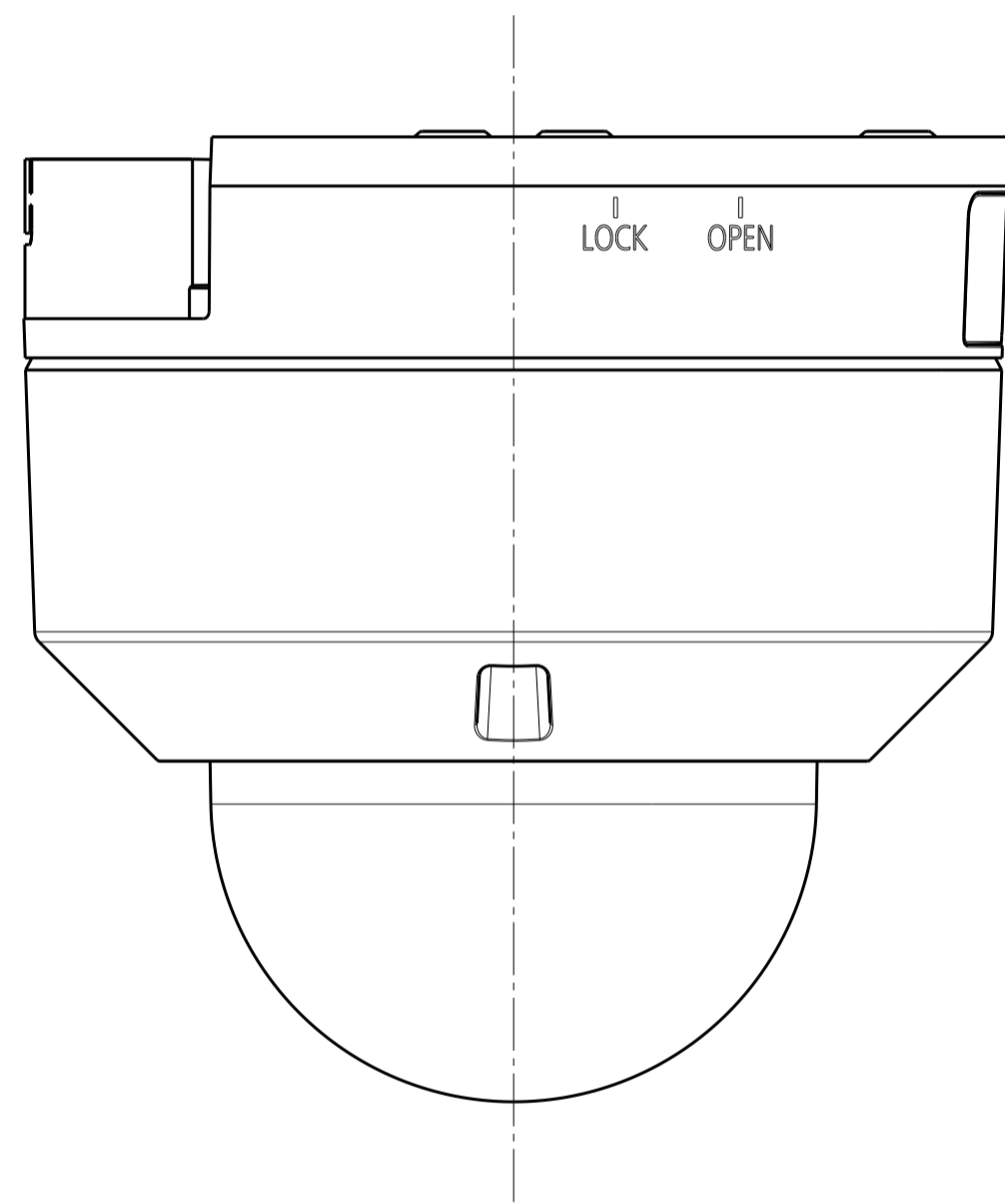


Object model: WV-B61300-ZY  
(No FCC label / ST)



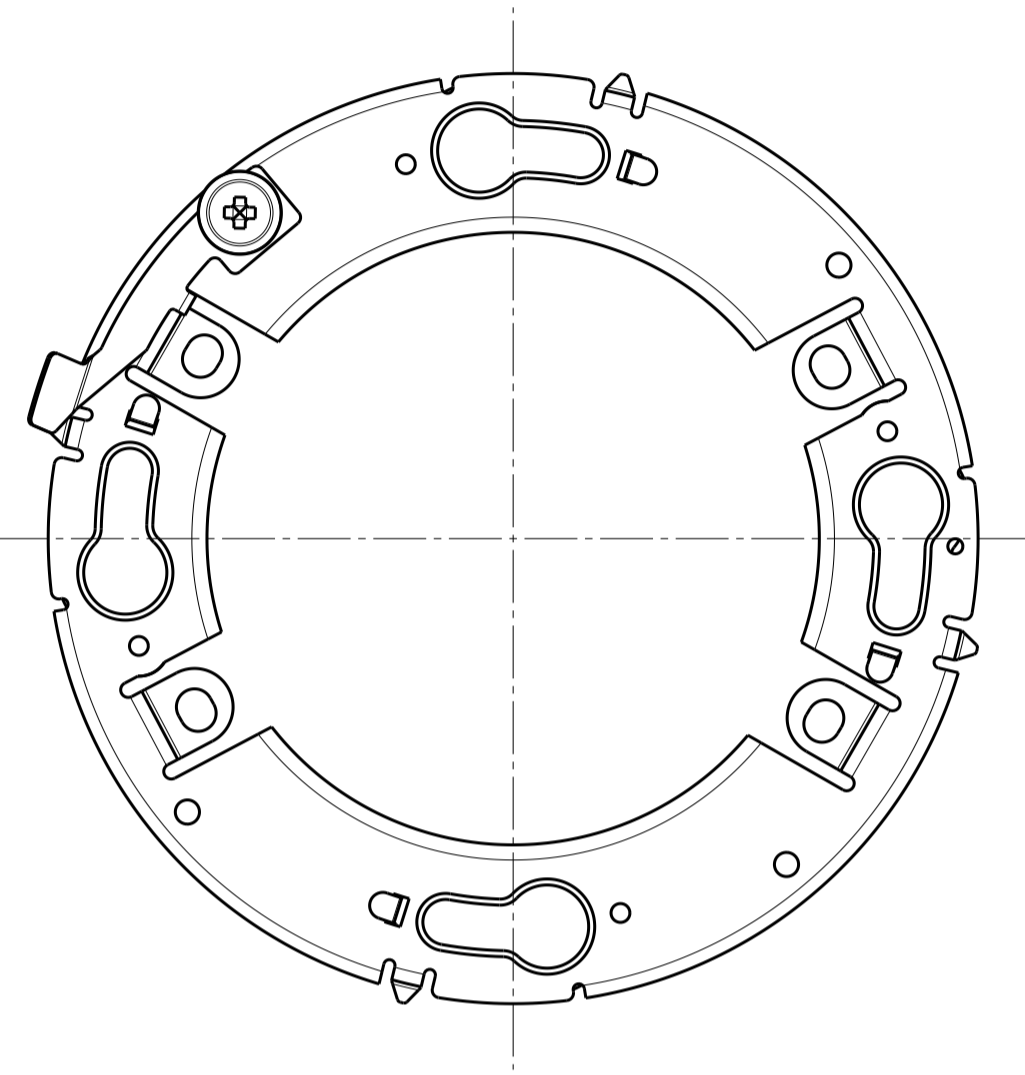
Model number	Dome type
WV-U61300-ZY	Clear dome
WV-U61300-ZYG	Smoke dome
WV-B61300-ZY	Clear dome
WV-S61300-ZYJ	Clear dome

Mass : Approx. 620 g {1.37 lbs}

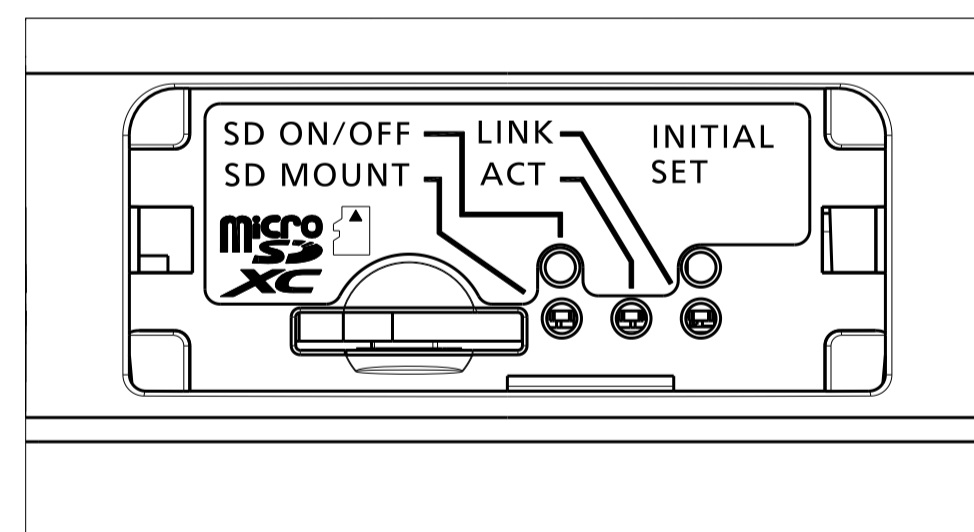
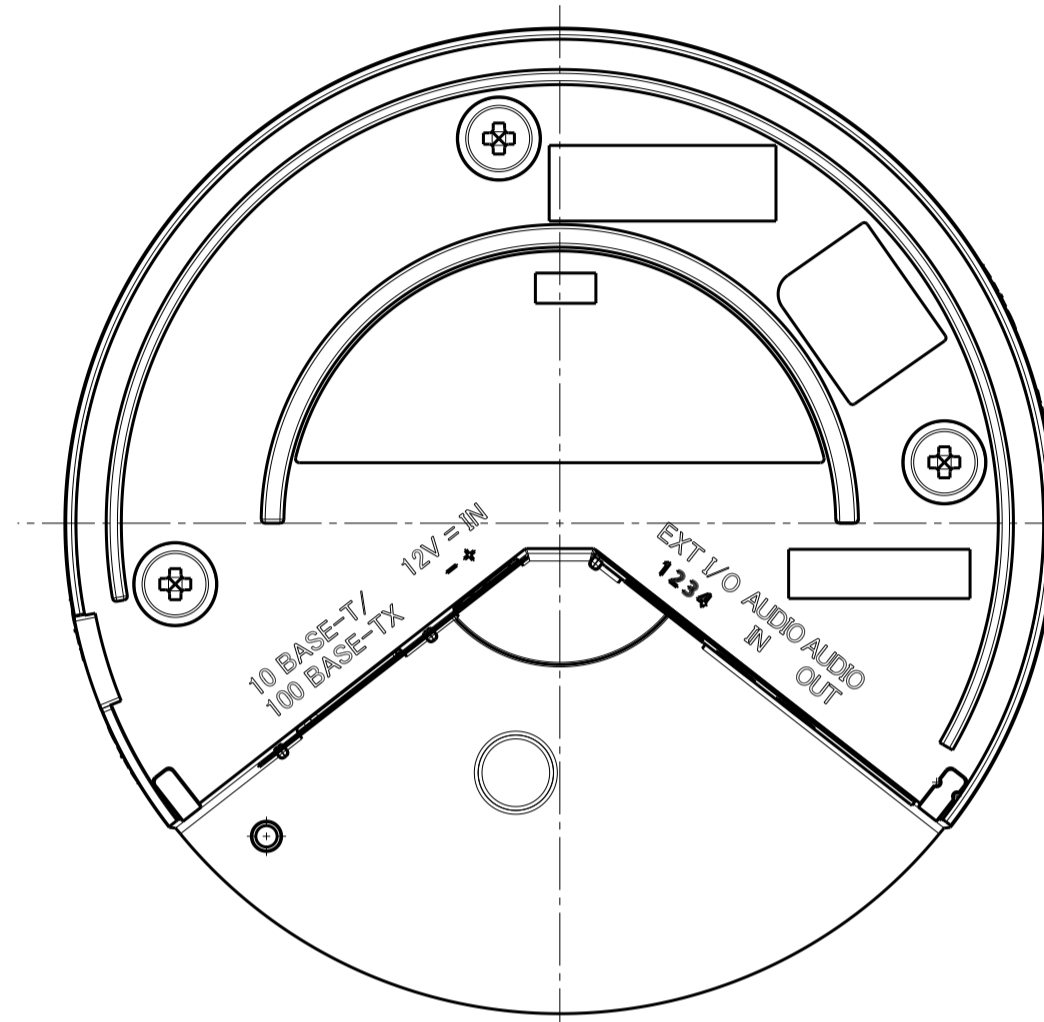
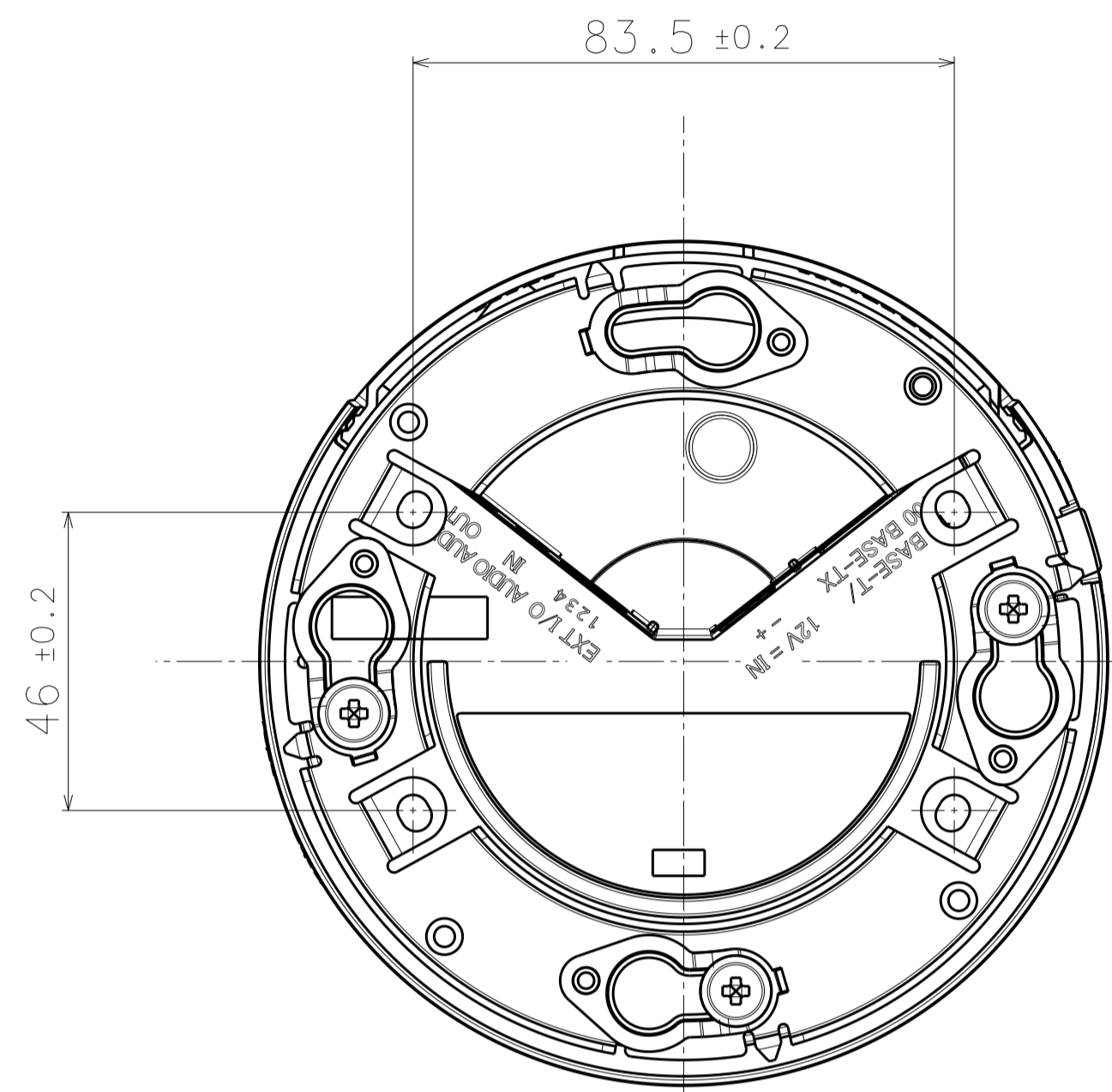


Model number	Dome type
WV-S61300-ZY	Clear dome
WV-S61300-ZYG	Smoke dome

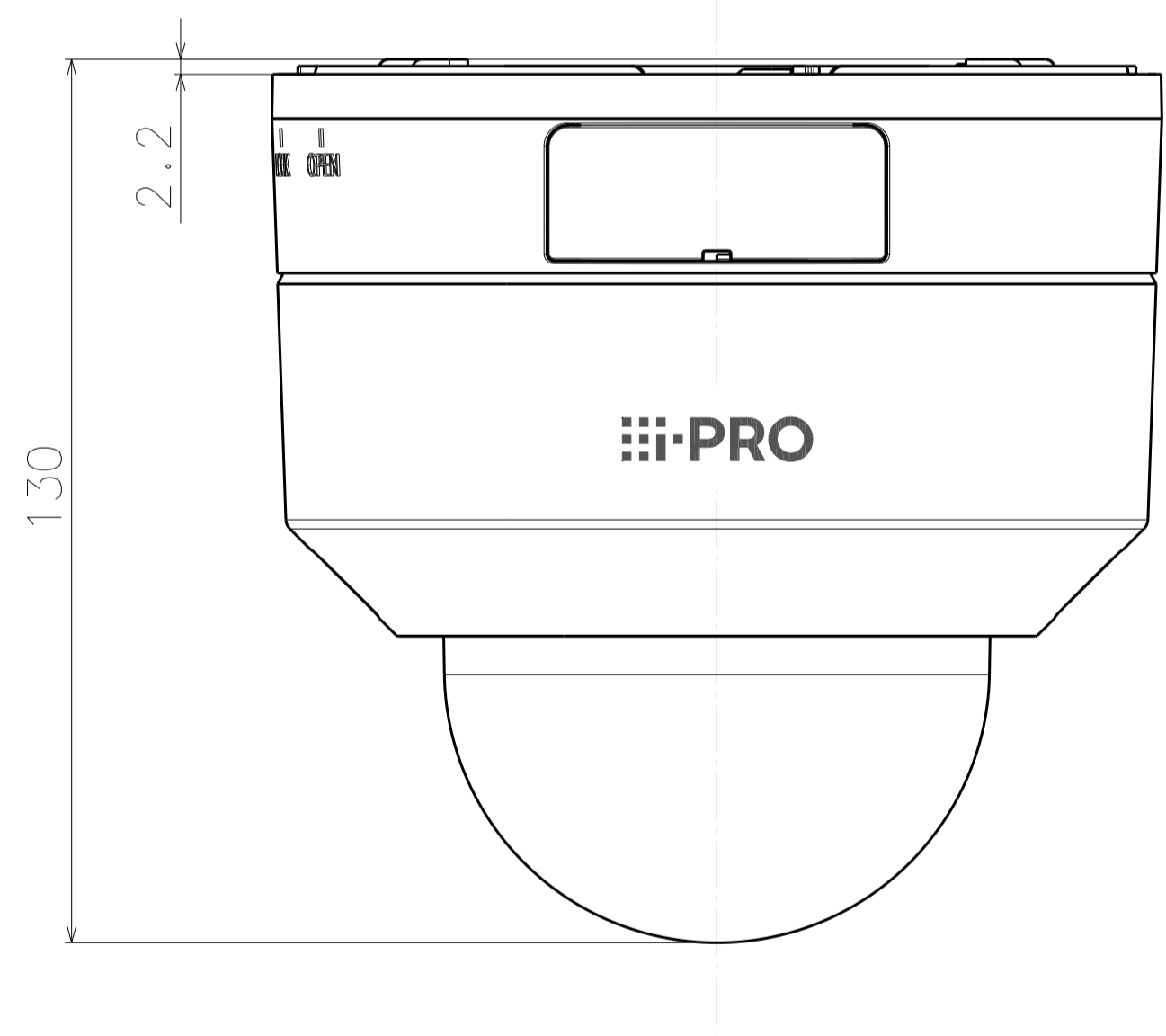
Mass : Approx. 620 g {1.37 lbs}



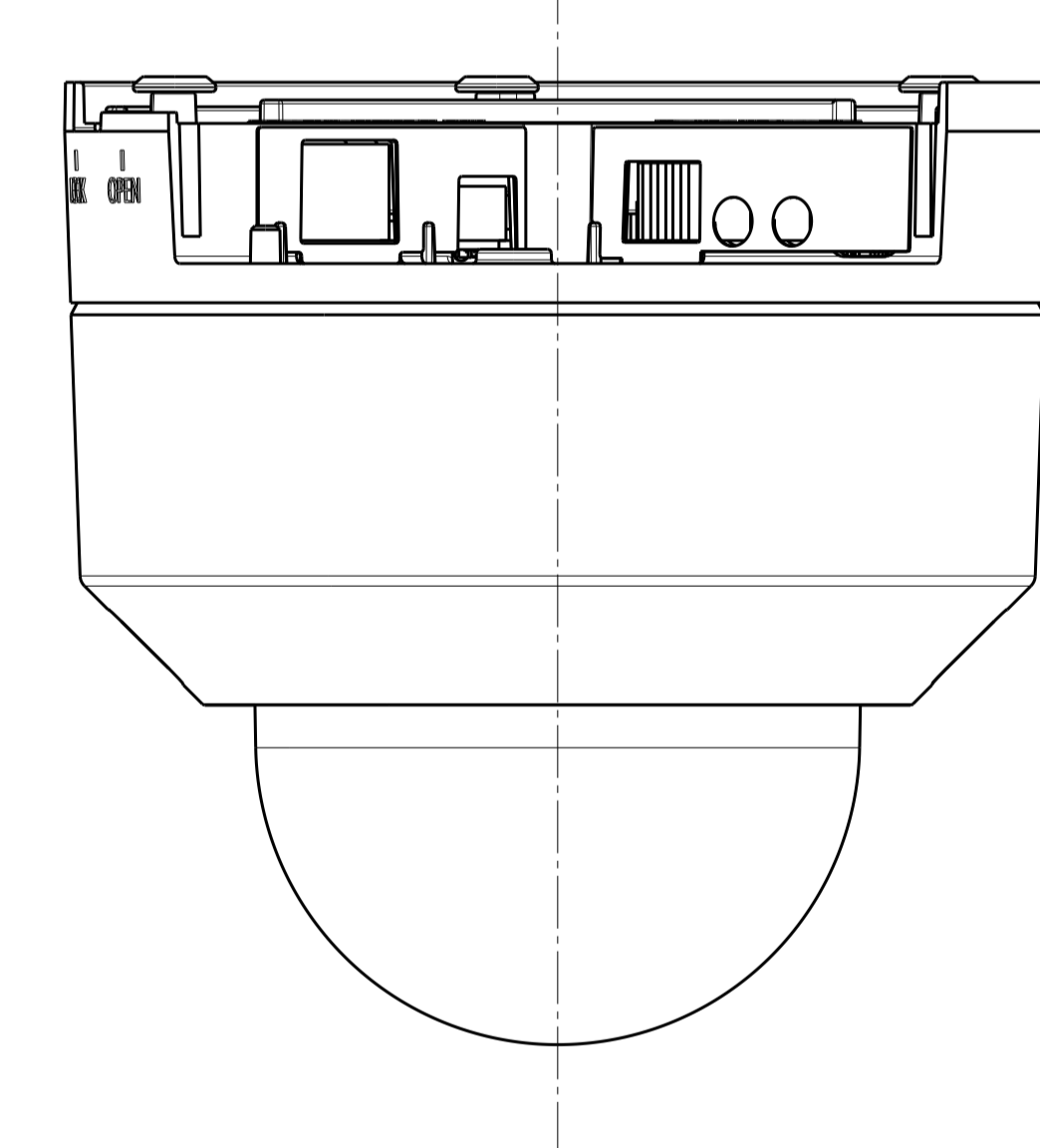
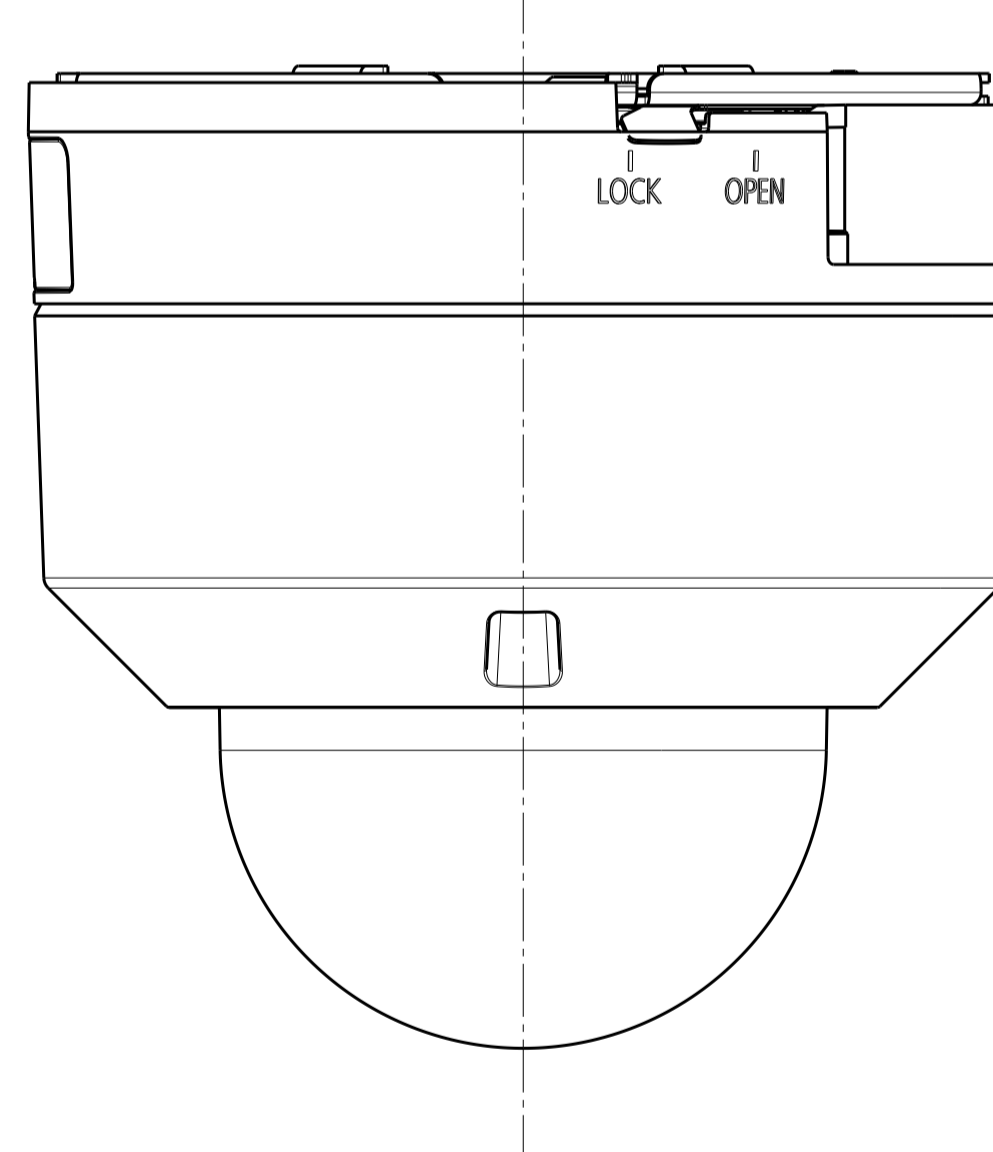
Attachment plate



Inside of SD memory card cover  
(S=2:1)



With Attachment plate

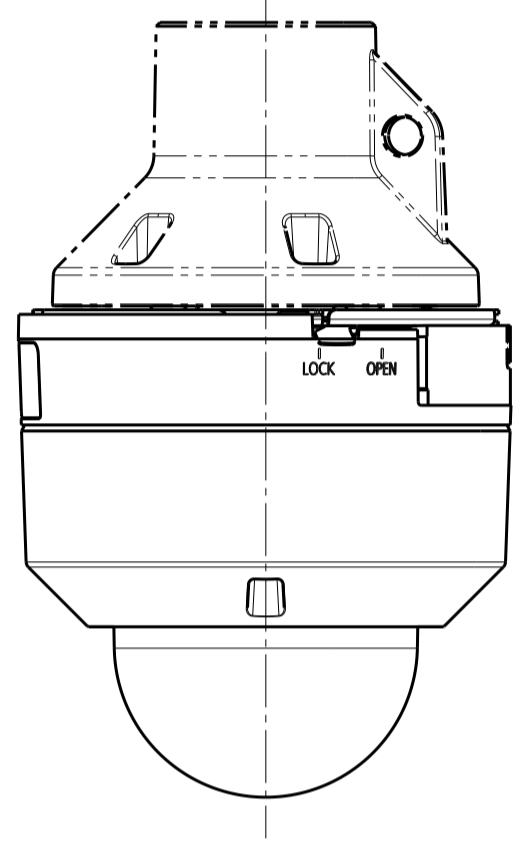


With the cable cover removed

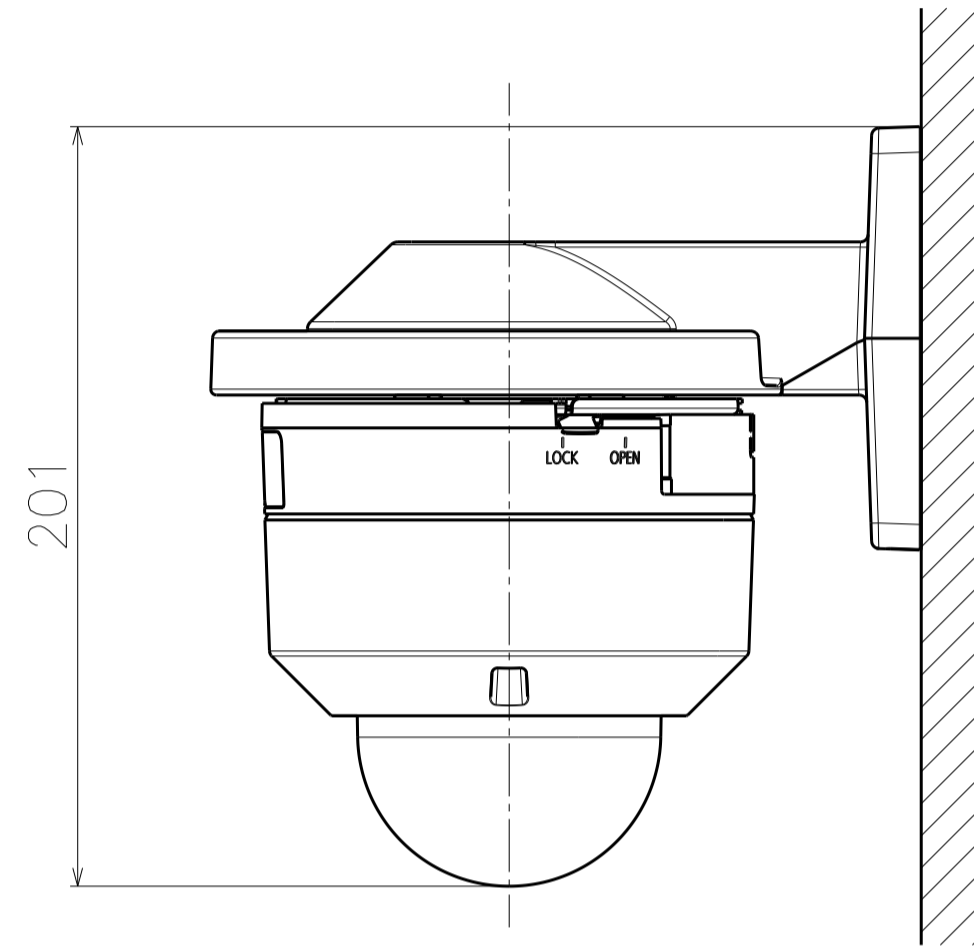
Model number
WV-U61300-ZY
WV-U61300-ZYG
WV-B61300-ZY
WV-S61300-ZY
WV-S61300-ZYG
WV-S61300-ZYJ

Mass : Approx. 800 g {1.77 lbs} (When using the attachment plate)

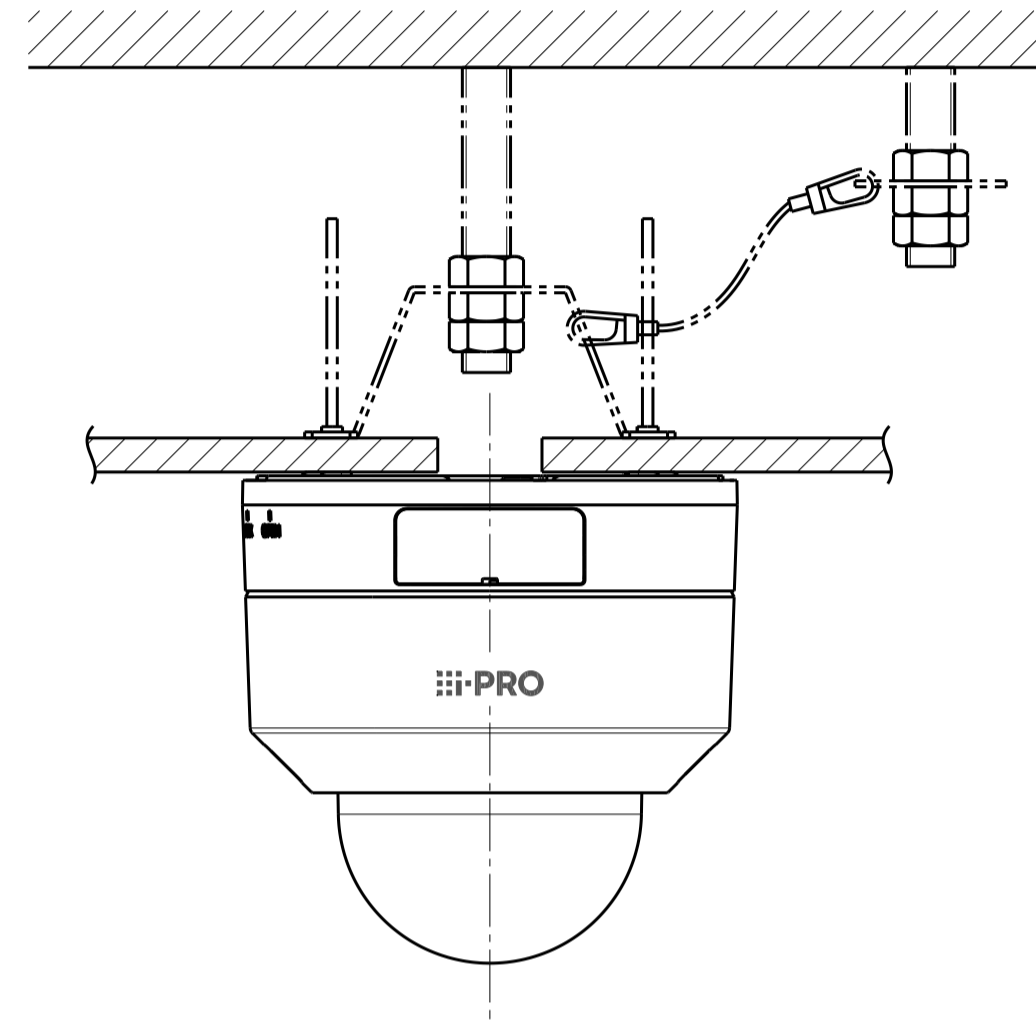
金具との組み合わせ例  
Example of combination with bracket



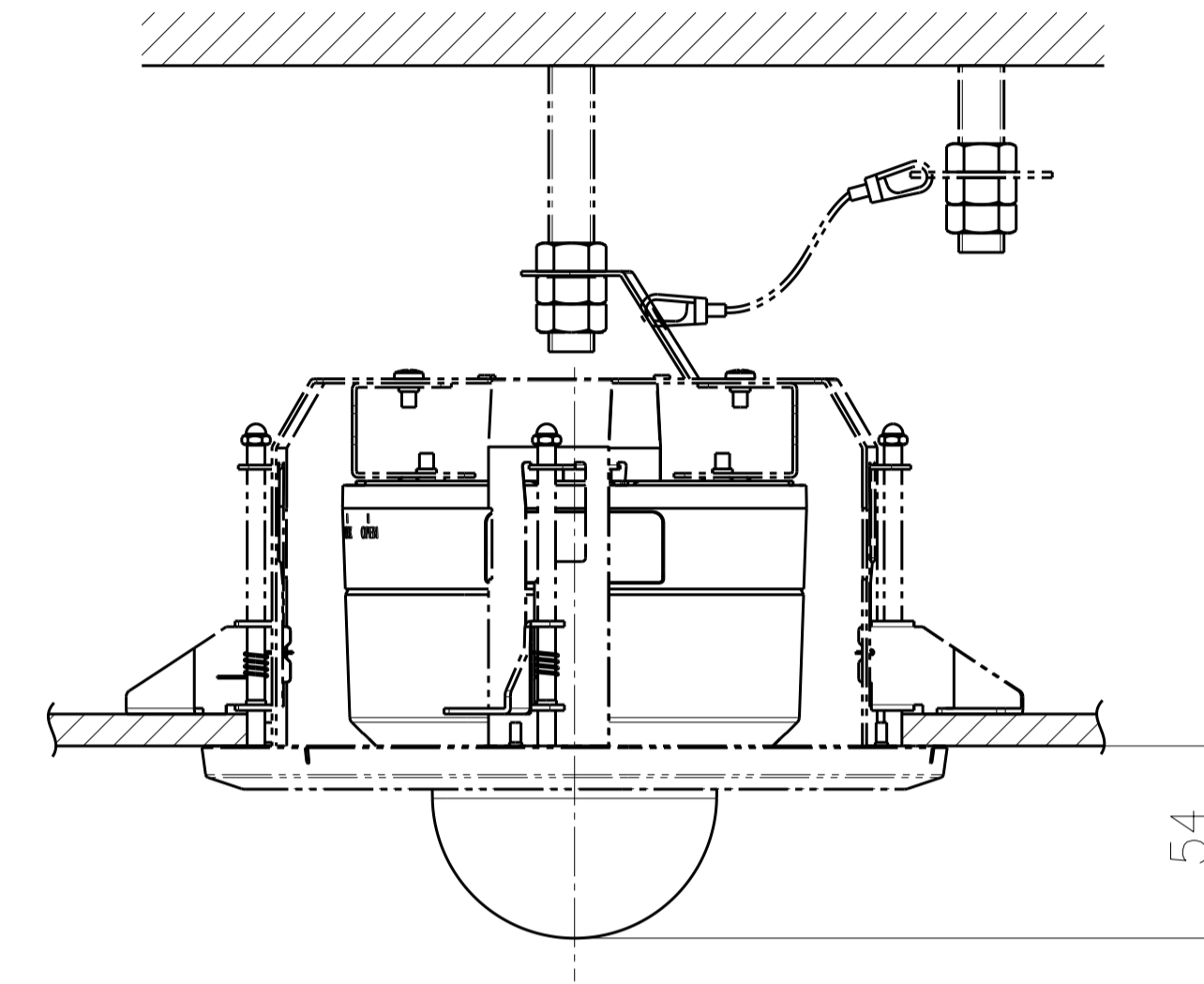
Attach to WV-QCL100\*\*



Attach to WV-QWL500\*\*



Attach to WV-Q105A\*\*



Attach to WV-QEM501\*\*

Model number
WV-U61300-ZY
WV-U61300-ZYG
WV-B61300-ZY
WV-S61300-ZY
WV-S61300-ZYG
WV-S61300-ZYJ