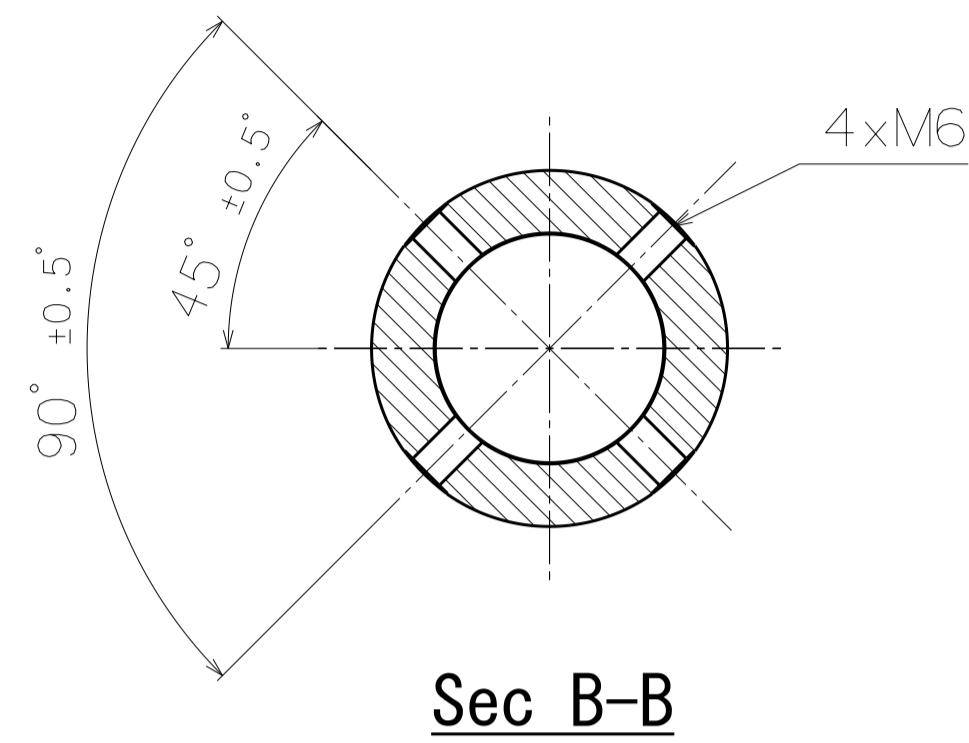


Detail C (S=1:1)  
Fixing screw type

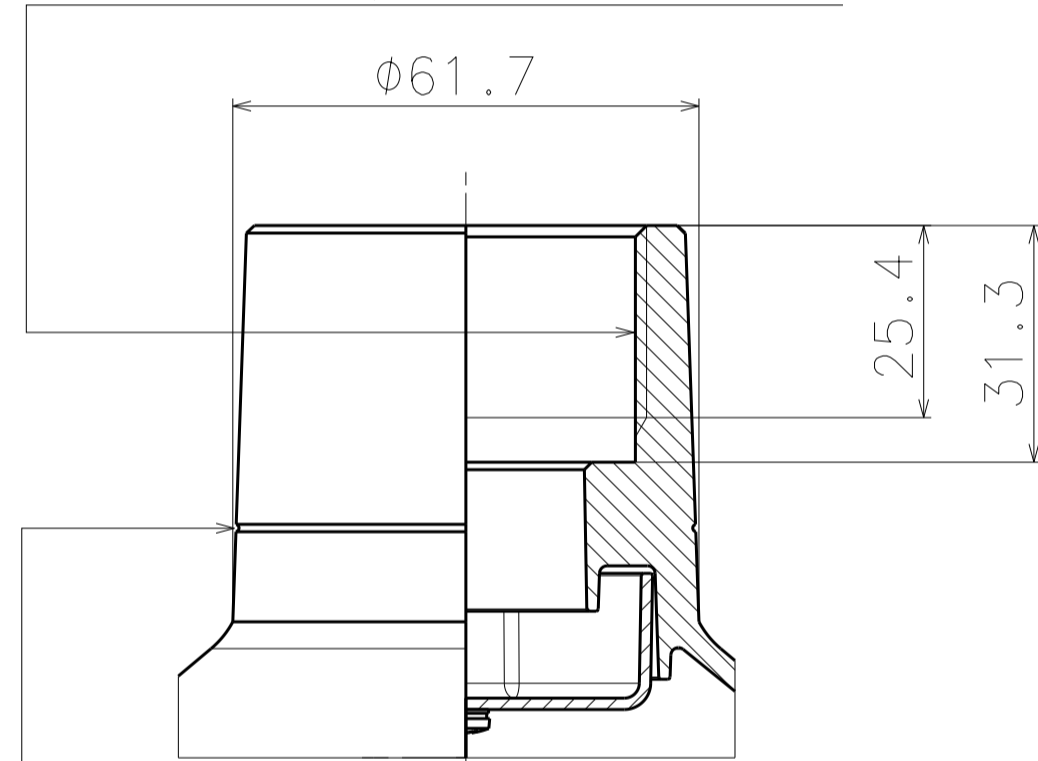
WV-QSR501-W



Sec B-B

WV-QSR501F-W

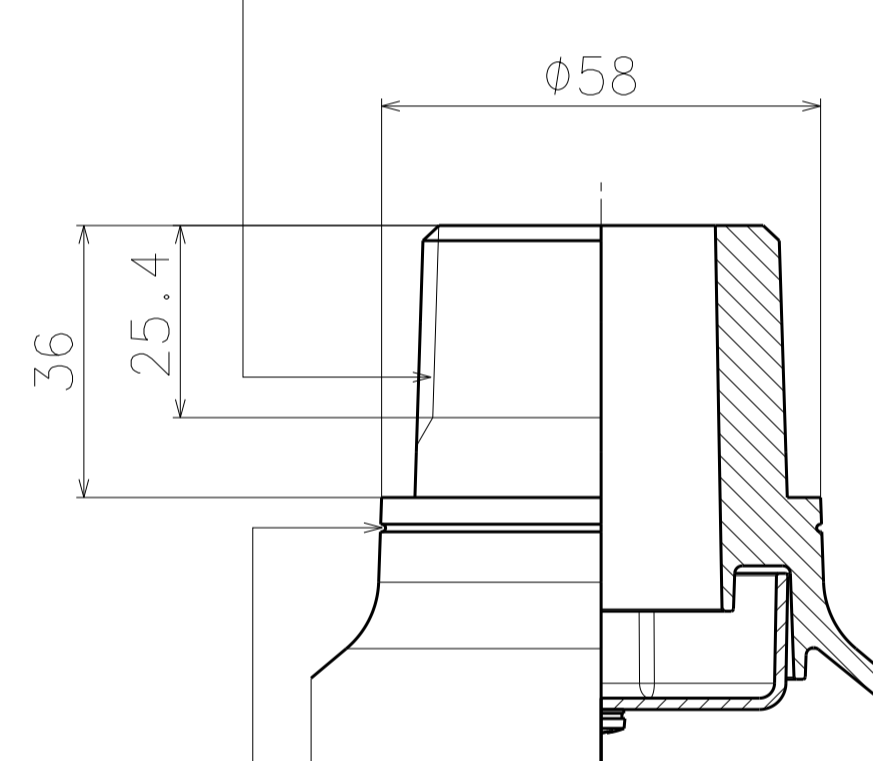
Rp 1-1/2, 11 crest  
(ISO (JIS) 規格/ISO (JIS) STANDARD)



ISOマーク/ISO mark

WV-QSR501M-W

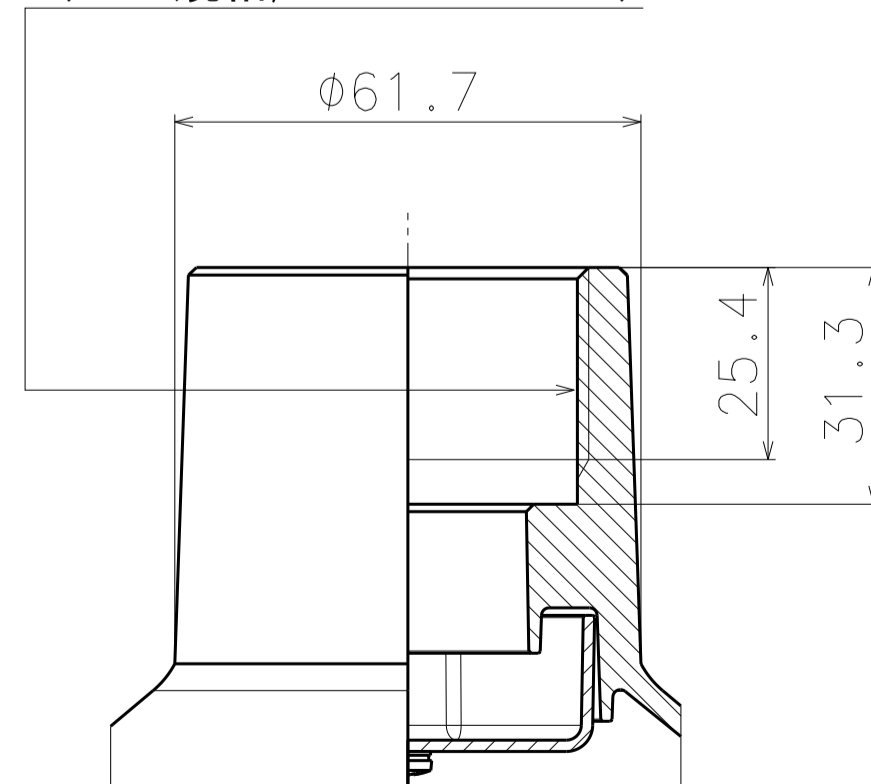
R 1-1/2, 11 crest  
(ISO (JIS) 規格/ISO (JIS) STANDARD)



ISOマーク/ISO mark

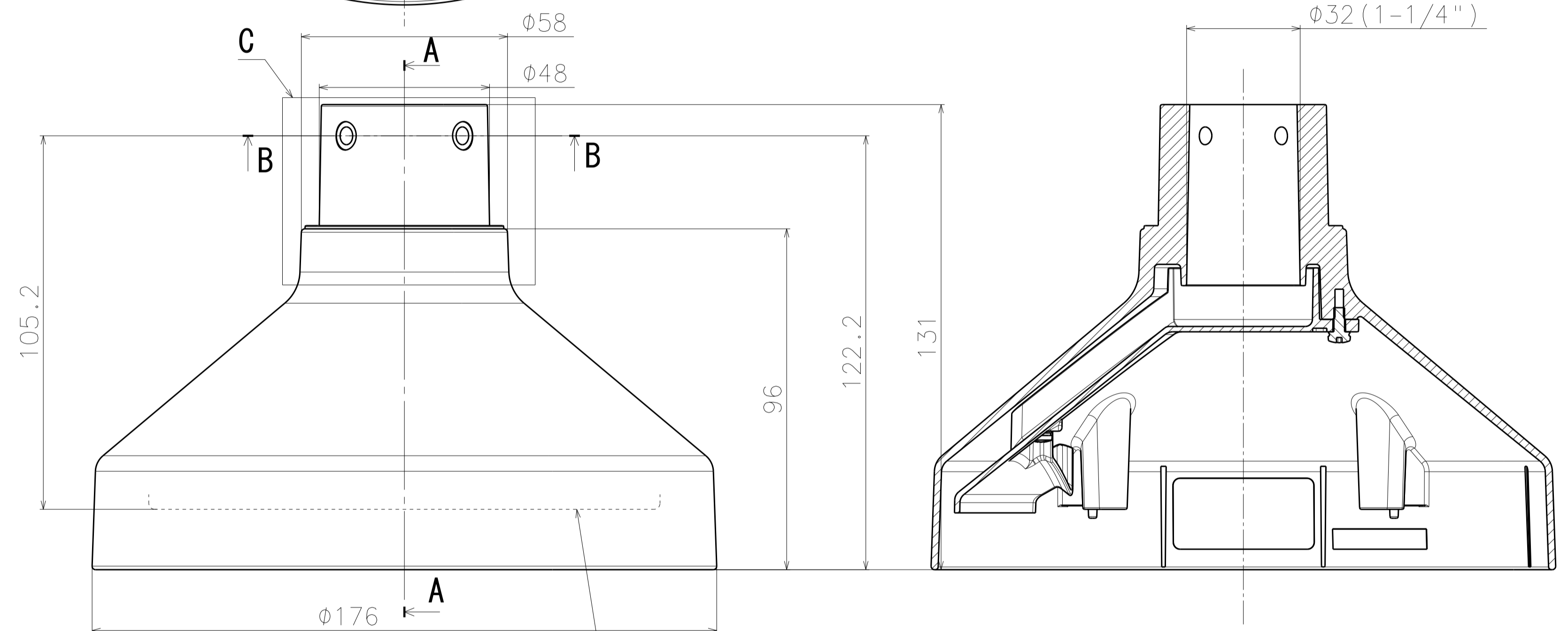
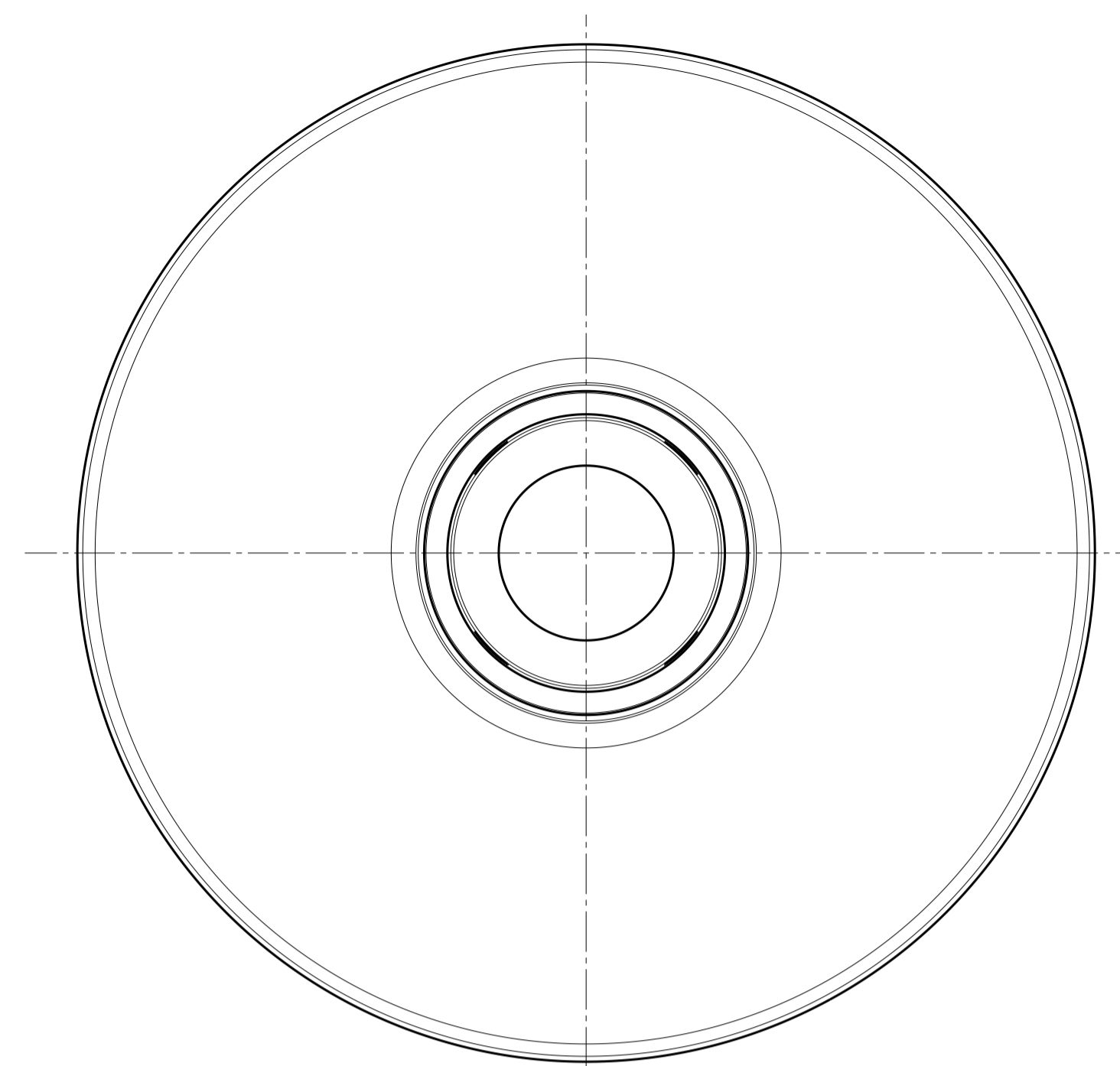
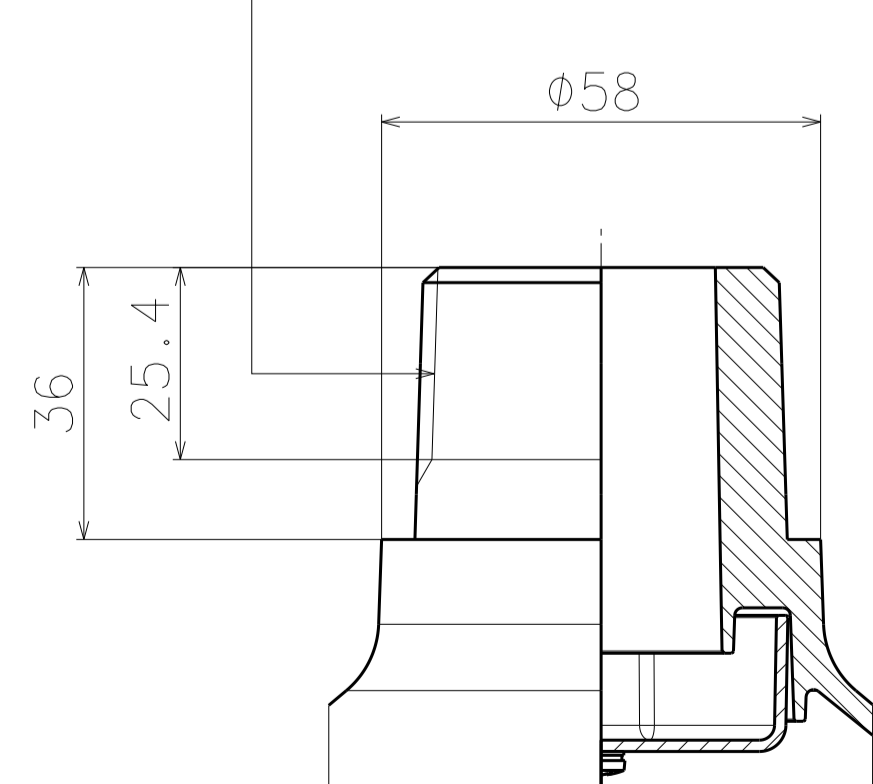
WV-QSR501F1-W

NPS 1-1/2, 11.5 crest  
(ANSI規格/ANSI STANDARD)



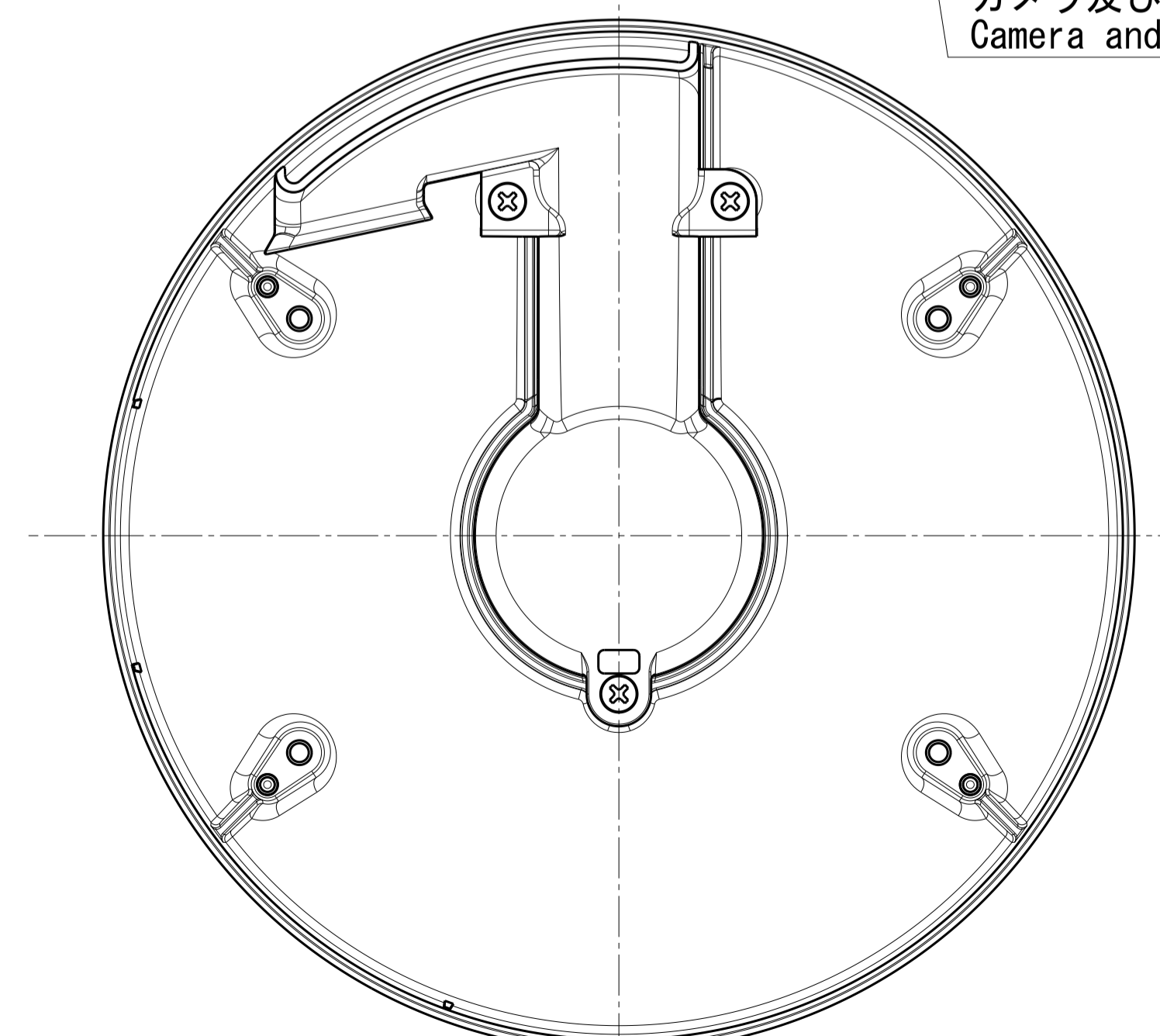
WV-QSR501M1-W

NPT 1-1/2, 11.5 crest  
(ANSI規格/ANSI STANDARD)



カメラ及びベースガイドプレート取付基準  
Camera and base guide plate mounting standards

Sec A-A



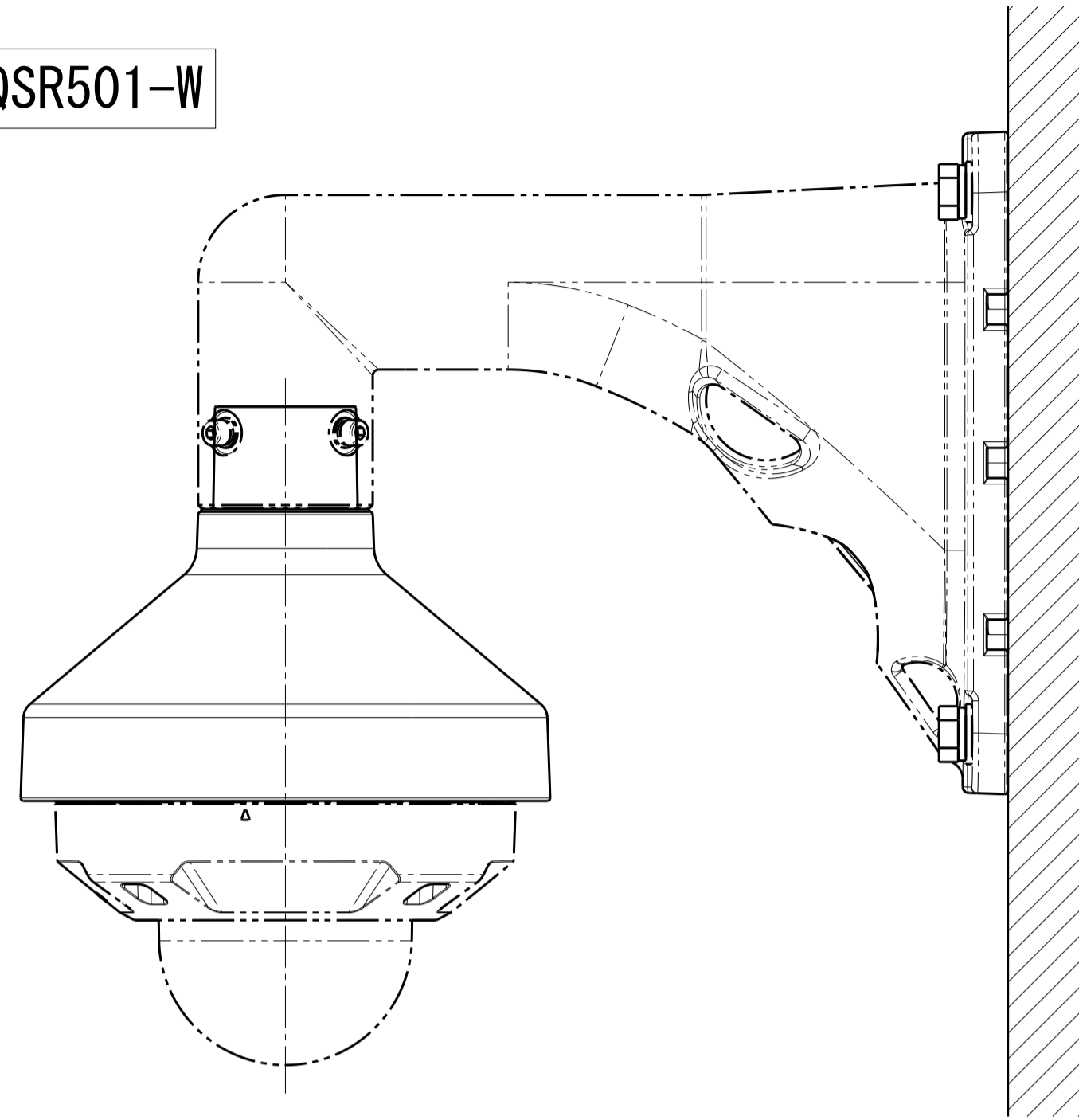
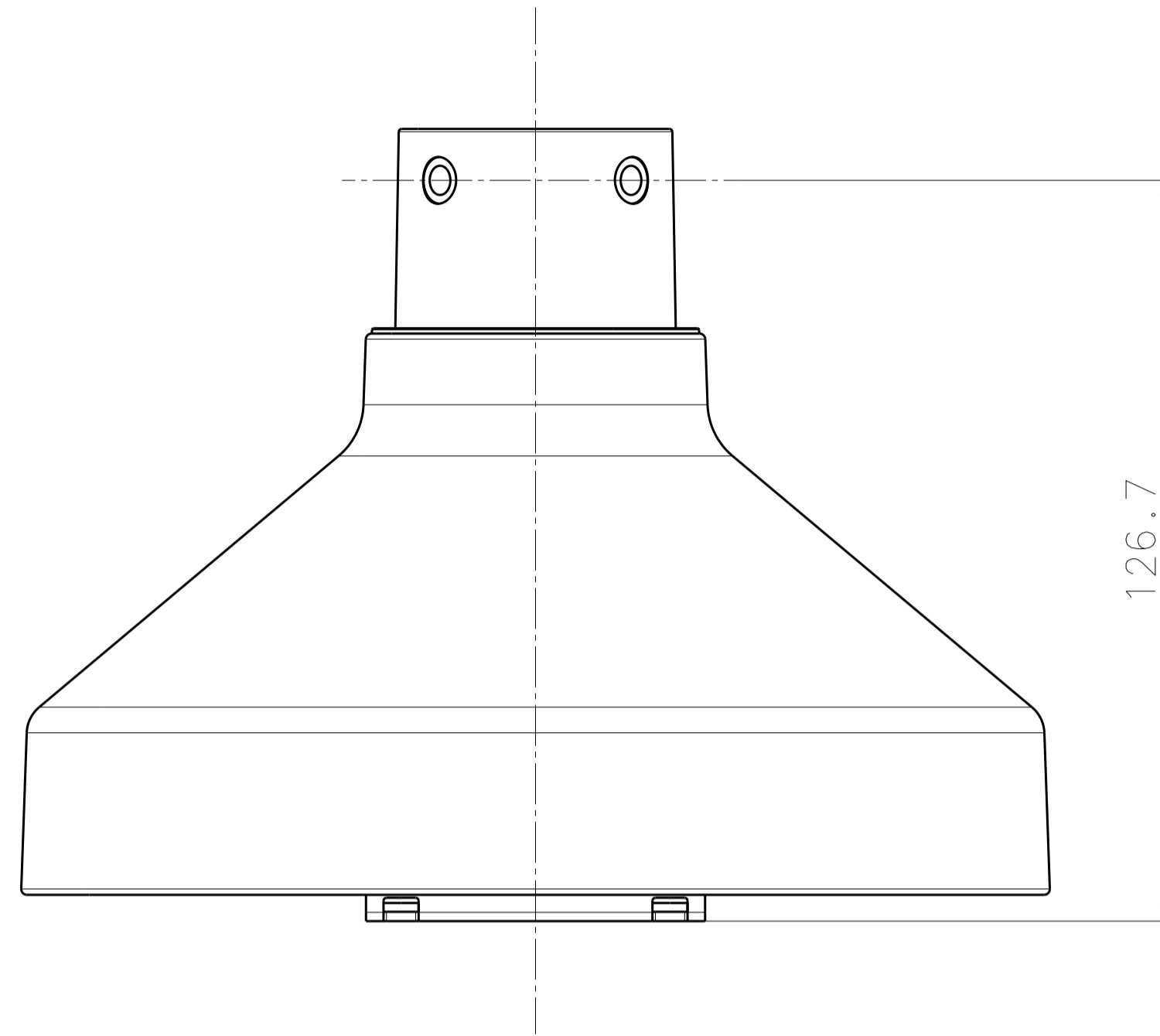
Model number	Color
WV-QSR501-W	i-PRO white
WV-QSR501-B	Black
WV-QSR501F-W	
WV-QSR501M-W	i-PRO white
WV-QSR501F1-W	
WV-QSR501M1-W	

	投影面積/Projected area	
側面図/Side-view (嵌合部除く) (Excluding the mating part)	WV-QSR501-W	0.012 (m <sup>2</sup> )
	WV-QSR501-B	0.012 (m <sup>2</sup> )
	WV-QSR501F-W	0.014 (m <sup>2</sup> )
	WV-QSR501M-W	0.012 (m <sup>2</sup> )
	WV-QSR501F1-W	0.014 (m <sup>2</sup> )
平面図/Top-view	0.024 (m <sup>2</sup> )	

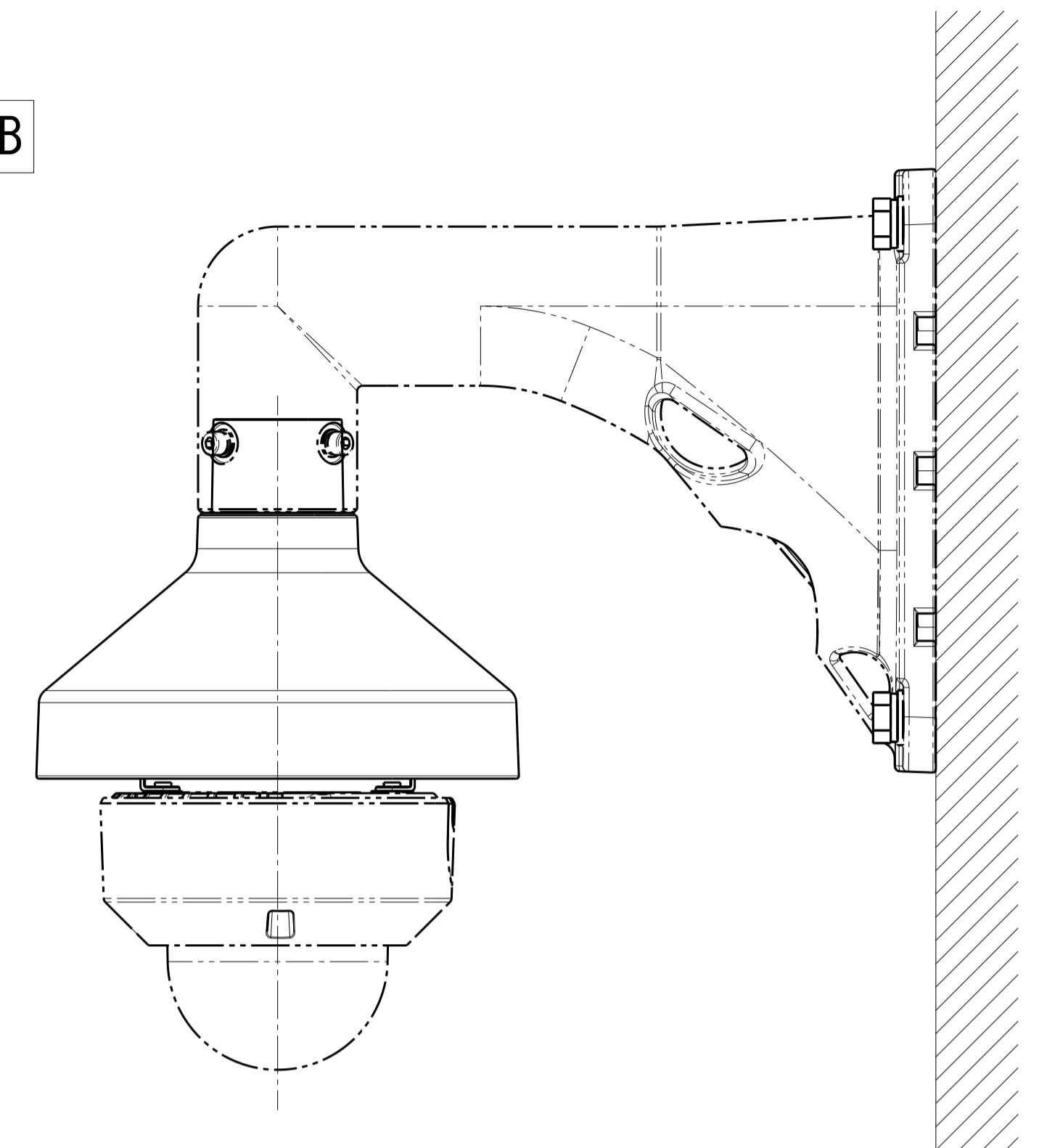
Mass : Approx. 480 g {1.06 lbs} (Main body)  
Approx. 140 g {0.31 lbs} (Base guide plate and others)

カメラとの組み合わせ例  
Example of combination with a camera

WV-QSR501-W



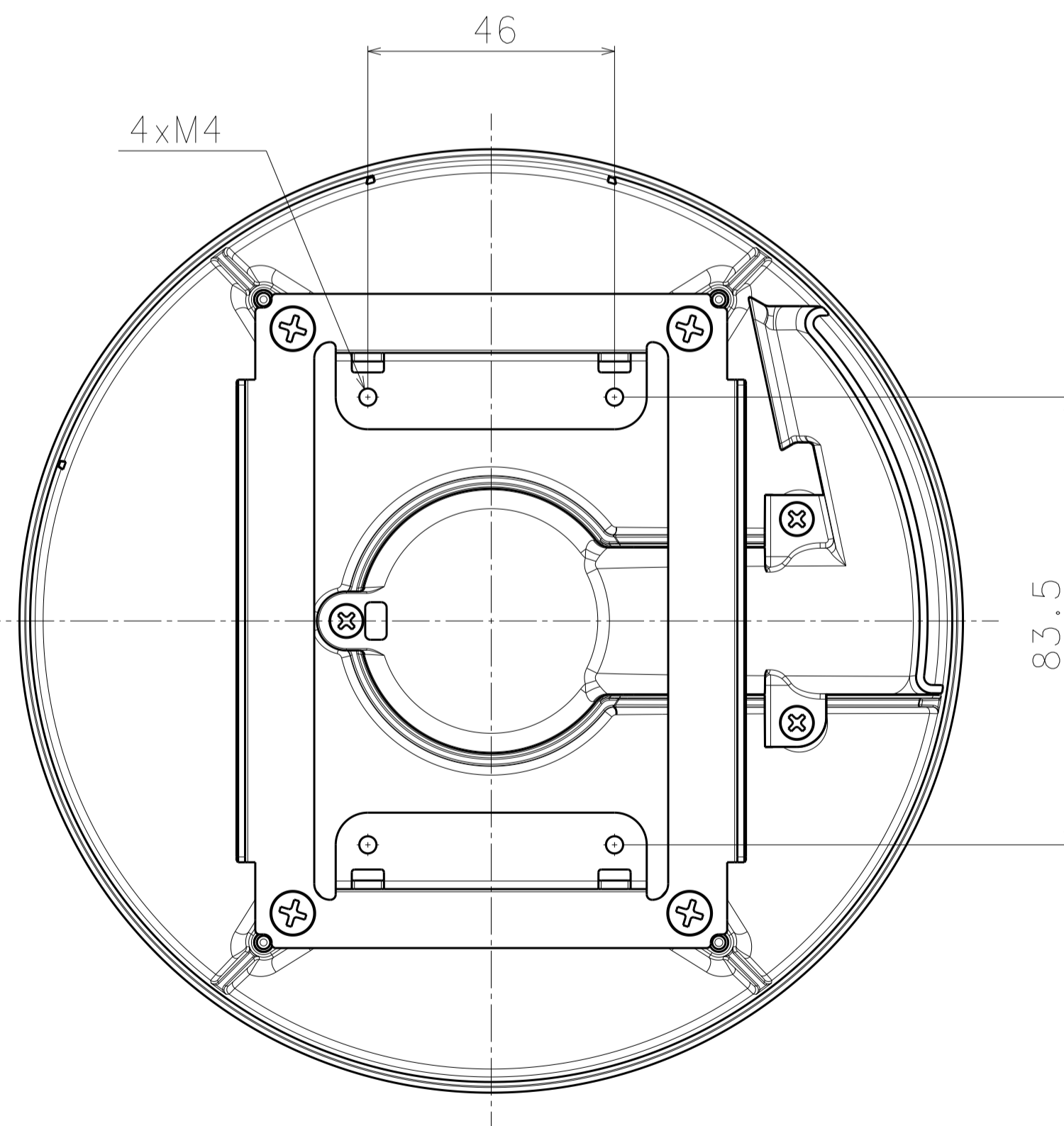
WV-QSR501-B



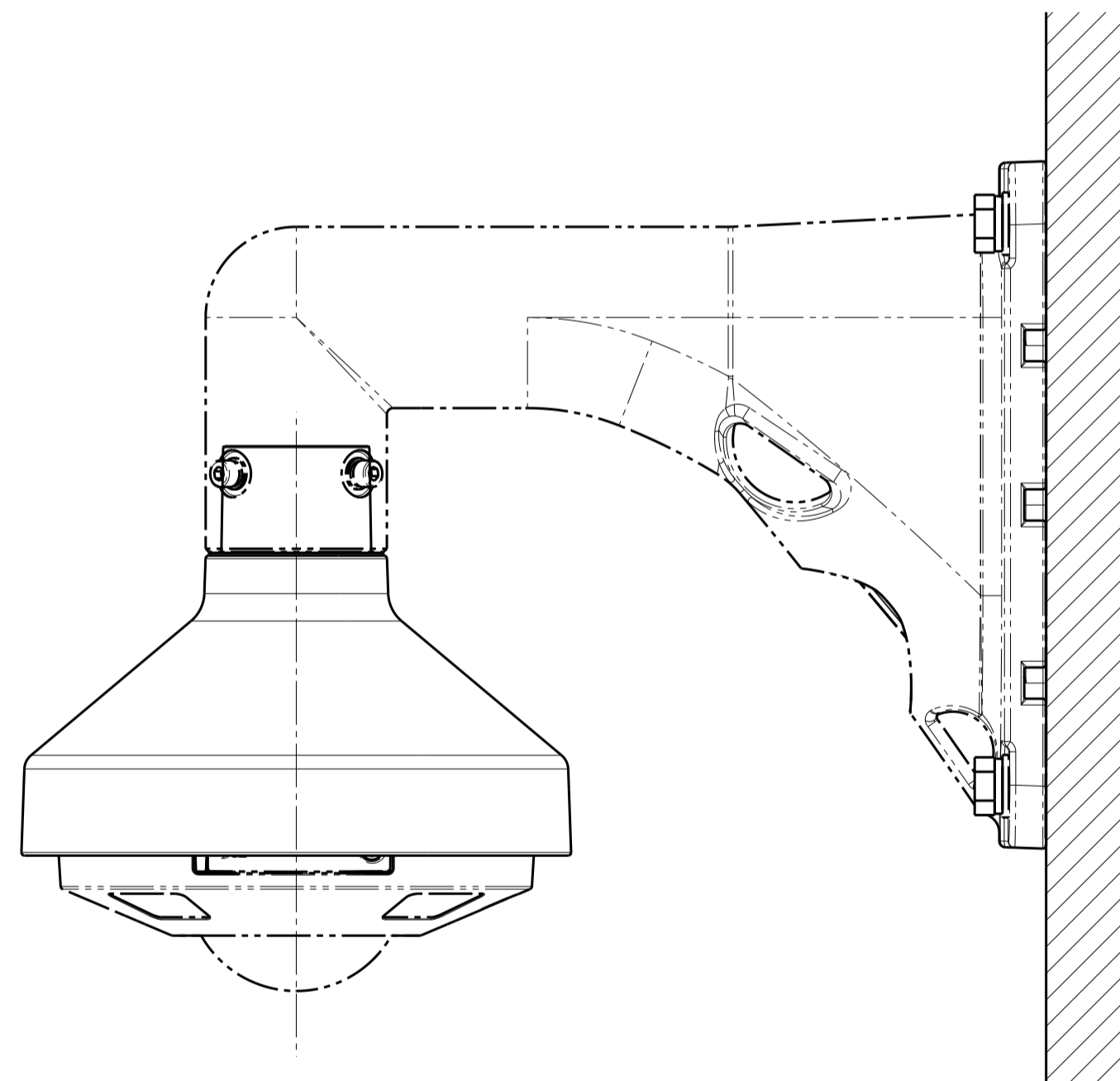
Attach to WV-S2536LN & WV-QWL501-W (S=1:2)

	投影面積 (Projected area)
側面図/Side-view	0.049 m <sup>2</sup>
平面図/Top-view	0.035 m <sup>2</sup>

Attach to WV-S2136L-B & WV-QWL501-B (S=1:2)

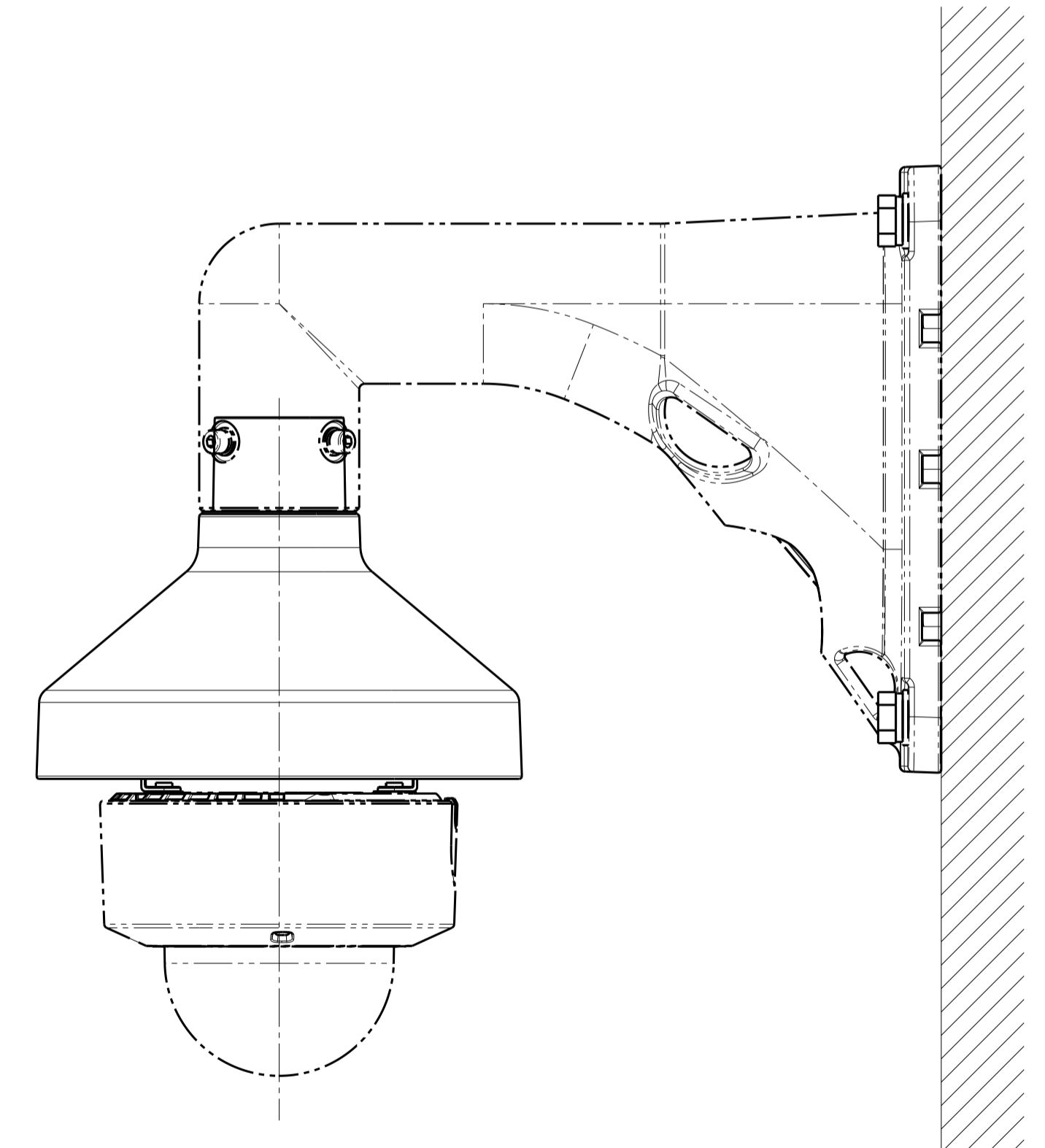


Attach to Base guide plate



Attach to WV-S4551L & WV-QWL501-W (S=1:2)

	投影面積 (Projected area)
側面図/Side-view	0.043 m <sup>2</sup>
平面図/Top-view	0.035 m <sup>2</sup>



Attach to WV-S2236L-B & WV-QWL501-B (S=1:2)

Model number
WV-QSR501-W
WV-QSR501-B
WV-QSR501F-W
WV-QSR501M-W
WV-QSR501F1-W
WV-QSR501M1-W