

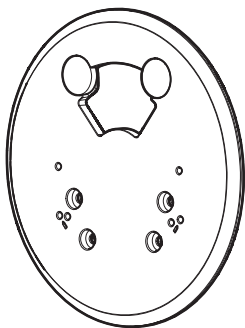
Operating Instructions

Included Installation Instructions

Gangbox Adapter

WV-QAT502-W

Model No. WV-QAT502-G



- Before attempting to connect or install this product, please read these instructions carefully and save this manual for future use.
- Be sure to read "Precautions" in this document before use.
- The external appearance and other parts shown in this manual may differ from the actual product within the scope that will not interfere with normal use due to improvement of the product.

i-PRO Co., Ltd. assumes no responsibility for injuries or property damage resulting from failures arising out of improper installation or operation inconsistent with this documentation.

For U.S. and Canada:

i-PRO Americas Inc.

For Europe and other countries:

i-PRO EMEA B.V.

<https://www.i-pro.com/>

© i-PRO Co., Ltd. 2022



Fs0321-1042
Printed in China

Preface

This product is used when installing a compact dome type camera using a Gangbox/Junction box.
For the latest information about the supported cameras, refer to our support website (https://i-pro.com/global/en/surveillance/training_support/support/technical_information <Control No.:C0501>).

Specifications

Ambient operating temperature:	-50 °C to +60 °C {-58 °F to +140 °F}
Dimensions:	ø162 mm × 6.2 mm (H) {ø6-3/8 inches × 1/4 inches (H)}
Mass:	Approx. 144 g {0.32 lbs}
Finish:	Aluminum die cast WV-QAT502-W : i-PRO white WV-QAT502-G : Light gray

Precautions

- **Refer installation work to the dealer.**
Installation work requires technique and experience. Failure to observe this may cause fire, electric shock, injury, or damage to the product.
Be sure to consult the dealer.
 - **Install the product securely on a Gangbox/Junction box in accordance with the installation instructions.**
Failure to observe this may cause injury or accidents.
 - **Do not use this product except with suitable cameras.**
Failure to observe this may cause a drop resulting in injury or accidents.
 - **Do not install this product on a place that is greatly influenced by wind.**
Installation on a place where the wind speed is 60 m/s {approx. 134 mph} or more may cause a fall of the product resulting in injury or accidents.
 - **The screws and bolts must be tightened to the specified torque.**
Failure to observe this may cause a drop resulting in injury or accidents.
- When using this product, also read the "Precautions" described in the operating instructions for the camera to be attached.

Caution:

- Before attempting to connect or operate this product, please read these instructions carefully.

Notice:

- This product is not suitable for use in locations where children are likely to be present.
- Do not install this product in locations where ordinary persons can easily reach.
- For information about screws and other parts required for installation, refer to the corresponding section of this document.

Standard accessories

Operating Instructions (this document) ...	1 pc.	Screw caps.....	2 pcs.
Camera fixing screws.....	2 pcs.	Fixing screws	5 pcs.
(M4 × 8 mm {5/16 inches})		(M4 × 8 mm {5/16 inches})	(of them, 1 for spare)

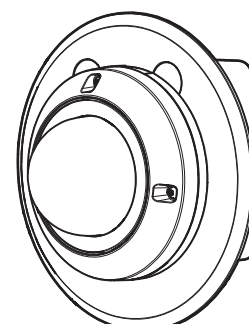
Precautions for installation

- In order to prevent injury, the product must be securely mounted to a Gangbox/Junction box according to installation guide.
- Make sure to remove this product if it will no longer be used.

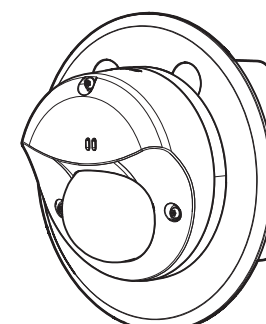
Note:

- When installing outside, installation work shall be such that there is no exposure to water into the architecture through the Gangbox/Junction box or conduits having been joined.

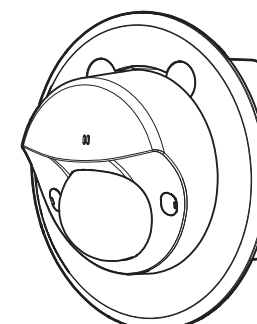
<Installation example>



<WV-U25xxL series>
<WV-U21xxL series>



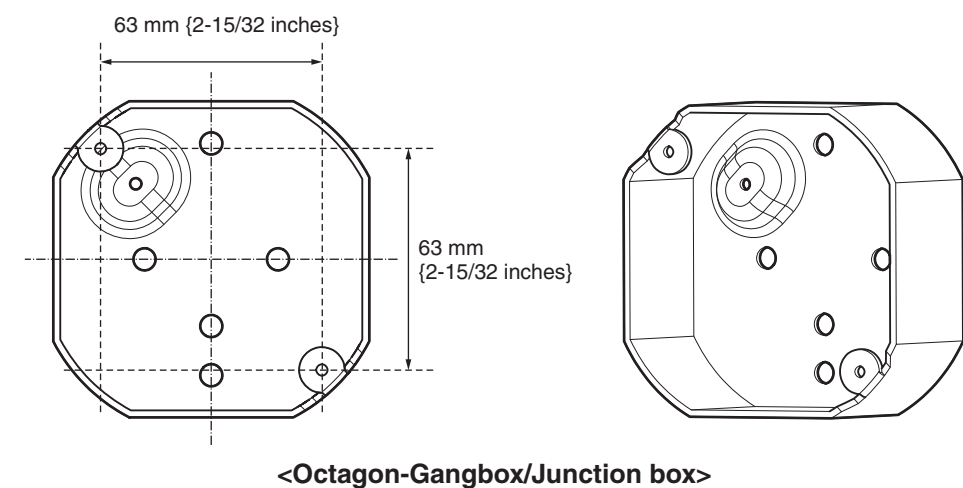
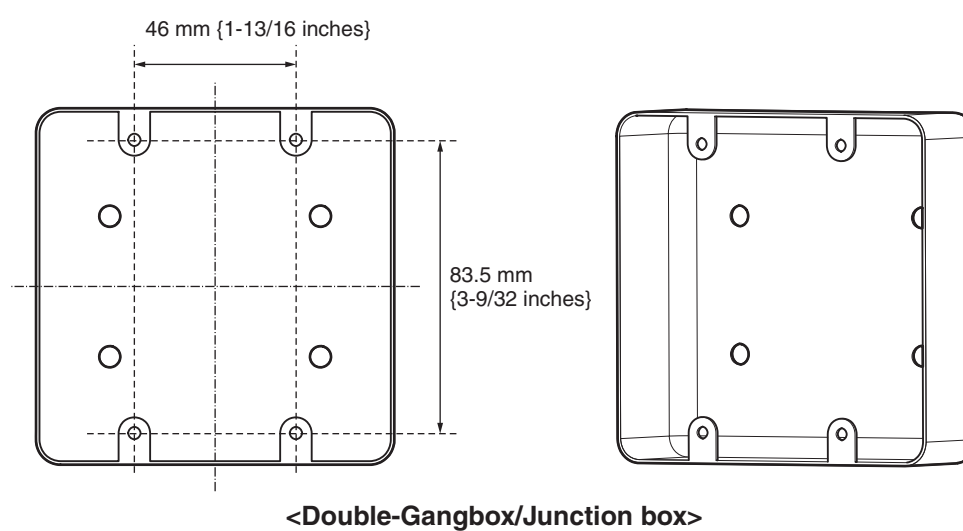
<WV-S35xxL series>



<WV-S31xxL series>

Installation

Step 1 Compatible Gangbox/Junction box

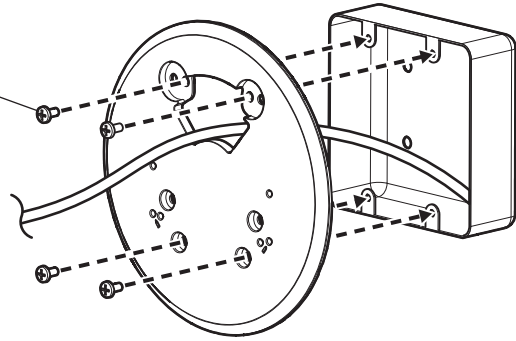


Step 2

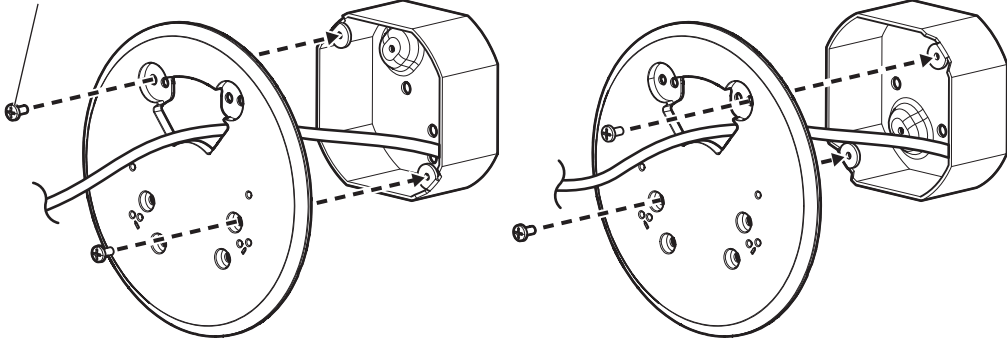


196 N {44 lbf}

Fixing screw (4 pcs.)
(M4: accessories)

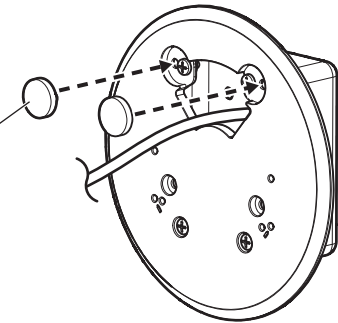


Fixing screw (2 pcs.)
(M4: accessories)



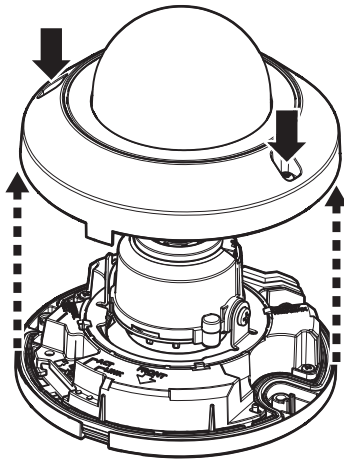
Step 3

Screw cap (2 pcs.)
(accessories)

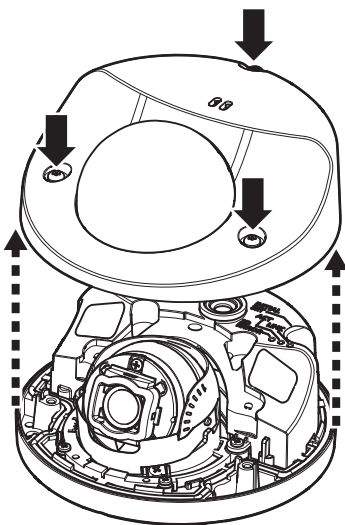


Step 4

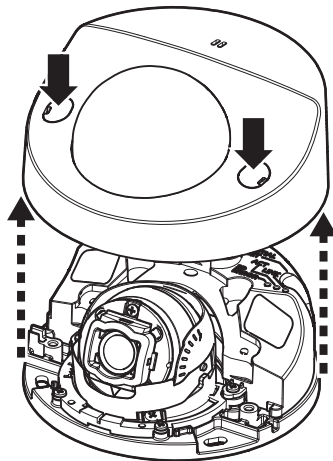
→ Refer to the Installation Guide for each camera.



<WV-U25xxL series>
<WV-U21xxL series>



<WV-S35xxL series>



<WV-S31xxL series>

Step 5

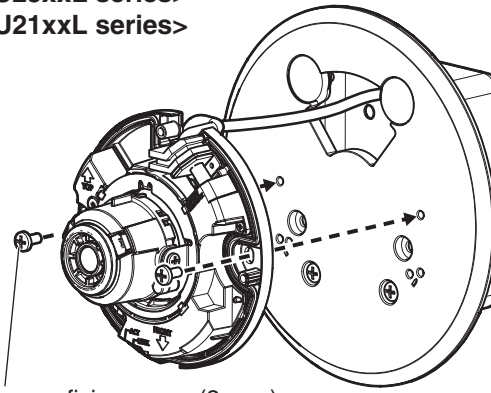
→ Connect the cables to the camera.
Refer to Installation Guide for each camera.

Step 6

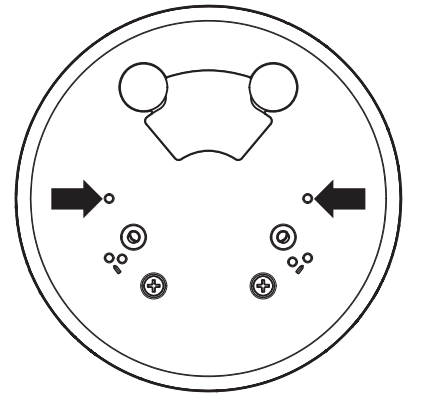


1.37 N·m {1.01 lbf·ft}

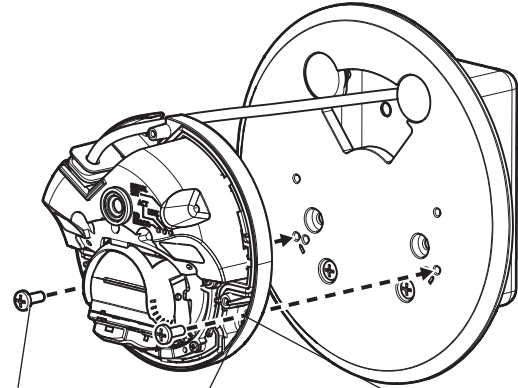
<WV-U25xxL series>
<WV-U21xxL series>



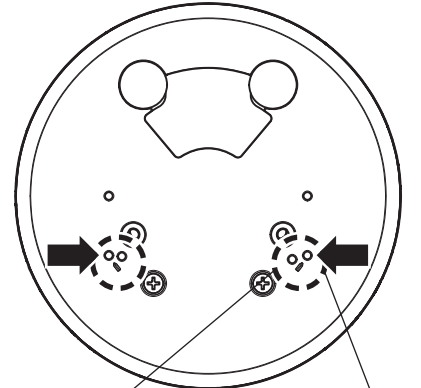
Camera fixing screw (2 pcs.)
(M4: accessories)



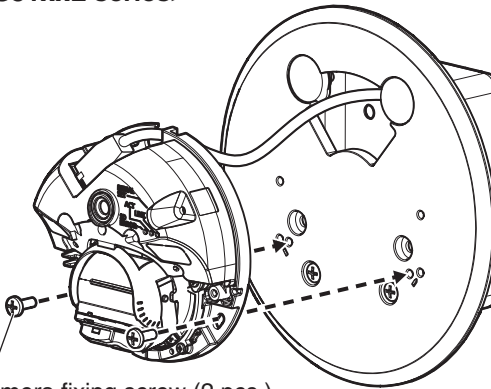
<WV-S35xxL series>



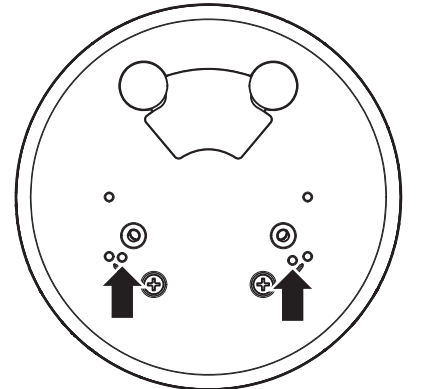
Camera fixing screw (2 pcs.)
(M4: accessories)



<WV-S31xxL series>



Camera fixing screw (2 pcs.)
(M4: accessories)



Step 7

→ Power ON (PoE), remove the protection film from the lens.
Refer to the Installation Guide for the camera for detailed adjustment methods.

Step 8

