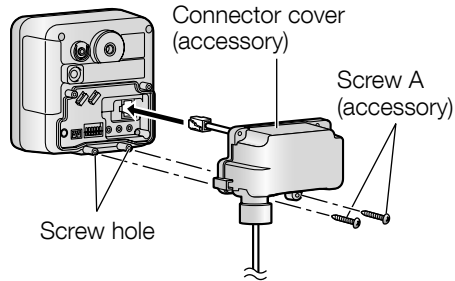


Mounting the Camera (For UL listed model(s))

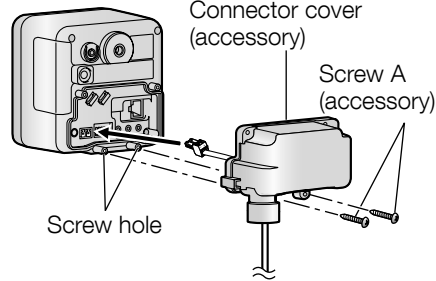
- The following procedures are descriptions of how to mount the UL listed model(s).
- The sunshade (accessory), front cover, and connector cover (accessory) must be installed when used outdoors or in wet locations and positioned so that the sunshade is on top.

1 Pass the cables through the connector cover (accessory), and then connect all cables. Attach the connector cover by fastening screw A (accessory). (Recommended tightening torque of the connector cover: 0.6 N·m {0.44 lbf·ft})
Connect all necessary cables, AC adaptor, LAN, audio/video, etc.

<WV-SW175/WV-SW172>



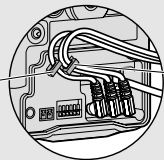
<WV-SW174W>



IMPORTANT

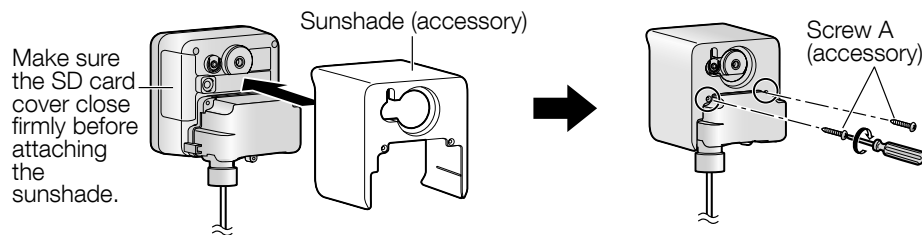
- When wiring LAN cables outside, make the LAN cable as short as possible. This product or the hub connected to this product may be affected by lightning or other weather conditions.
- When mounting the camera, make sure to wrap the AC adaptor cord (if used) and other cables (external microphone or speaker cable, video cable, etc.) around the hooks as shown to ensure secure connections.

12 V DC power supply terminal/
Monitor out connector for adjustment/
External I/O terminals cable hook



Audio output terminal/
Microphone/line input
connector cable hook

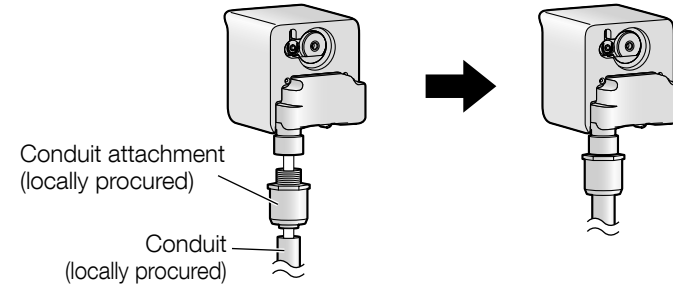
2 Attach the sunshade (accessory) by fastening screw A (accessory). (Recommended tightening torque of the sunshade: 0.6 N·m {0.44 lbf·ft})



3 Connect the conduit attachment to the conduit and the connector cover.

Note

- The female thread for conduit is compliant with ANSI/NPSM (parallel pipe threads) 3/4 inches or G3/4 of ISO 228-1.

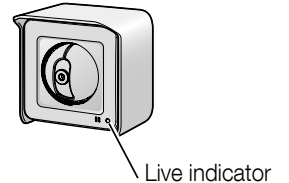


Installing the camera on the ceiling or wall

Adjust the camera to a suitable position/direction while confirming the images actually displayed on the computer screen.

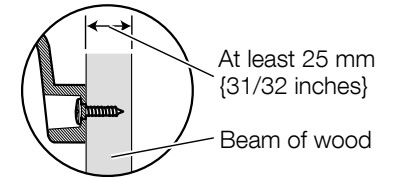
Note

- Make sure the live indicator is always in the lower right corner when you mount.

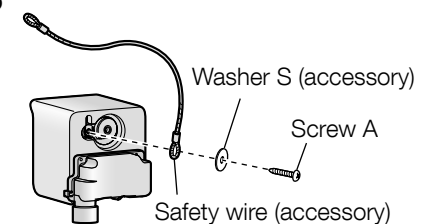


1 Place the flexible stand on the ceiling or wall, and determine the mounting position of the stand.

Make sure the flexible stand is firmly mounted on a beam of wood (25 mm {31/32 inches} and greater) etc. When there is no beam, apply a board on the other side of the ceiling or wall to make sure the camera does not drop.



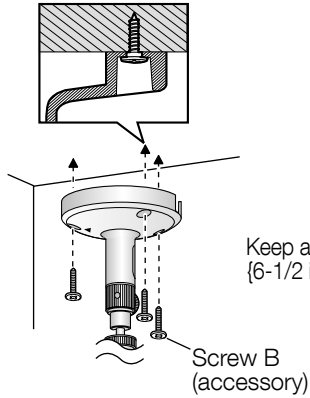
2 Secure the safety wire (accessory) to the camera using screw A (accessory) and washer S (accessory).



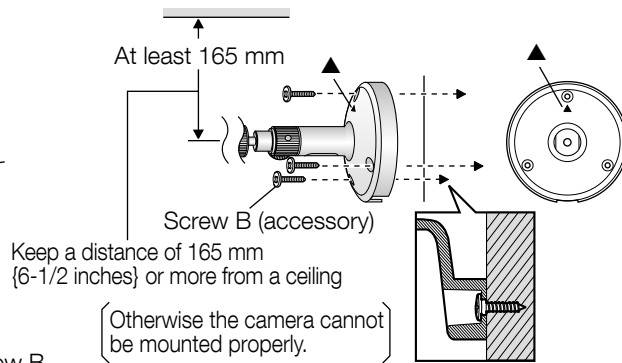
3 Mount the flexible stand firmly to the ceiling or wall with screw B (accessory).

When mounting the flexible stand to the wall, position the flexible stand so that the "▲" marker is facing upward.

■Ceiling

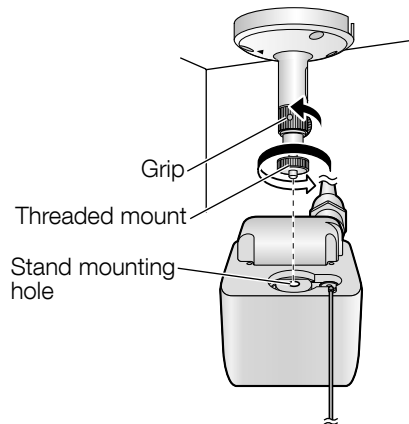


■Wall

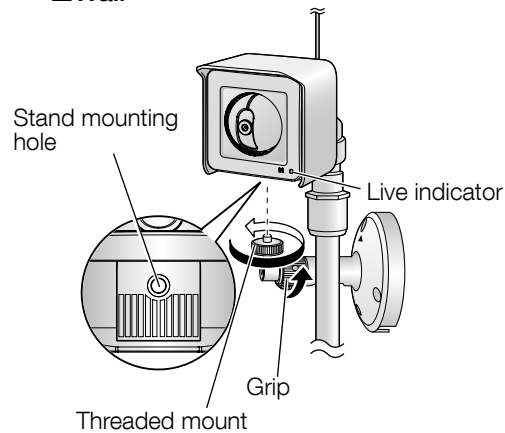


4 Attach the camera by screwing the threaded mount into the stand mounting hole.

■Ceiling



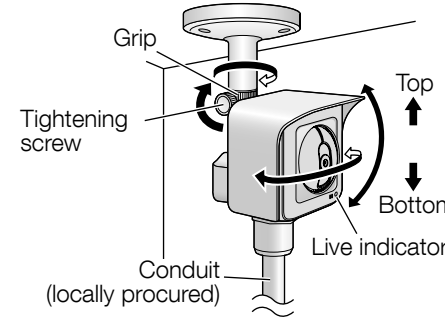
■Wall



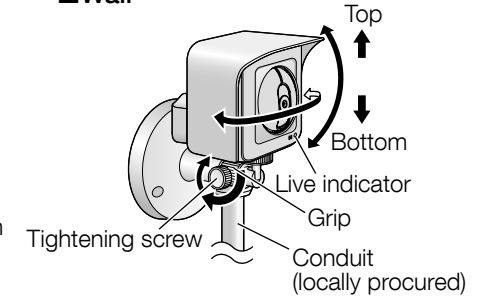
5 Adjust the camera position and tighten the flexible stand grip and the tightening screw firmly.

The fixing position of the tightening screw can be adjusted according to the direction the camera is facing and its angle.

■Ceiling



■Wall



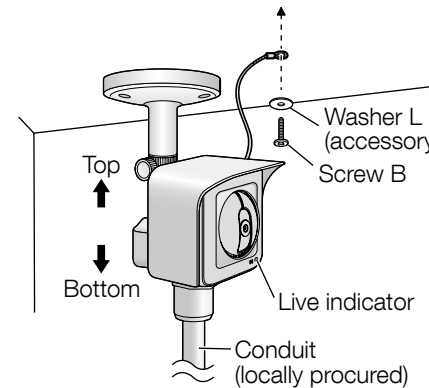
⚠ IMPORTANT

- Make sure to fix the conduit not to stress the camera and the flexible stand.

6 Adjust the length of the safety wire when it is taut, and secure it to the ceiling or wall using screw B (accessory) and washer L (accessory).

Attach the safety wire in a position so that if the camera were to become detached, it would not fall on nearby people.

■Ceiling



■Wall

