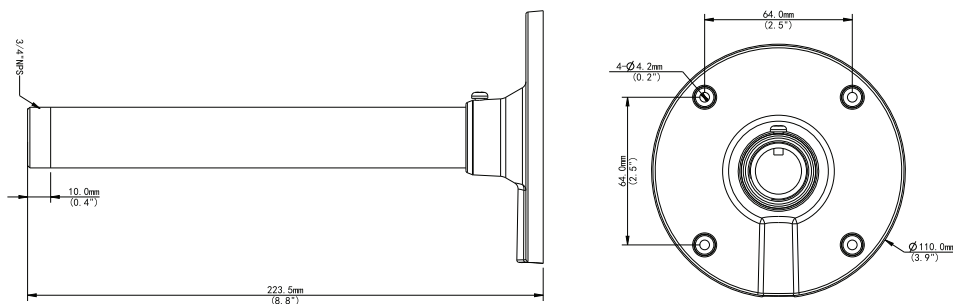




Technical Specifications

Application	Wall installation for fixed dome
Dimensions	Φ110mm*223.5mm (4.33" x 8.80")
Weight	0.25kg(0.55lb)
Material	Aluminum alloy

Dimensions



R010422 | Product specifications and availability are subject to change without notice.

© i-PRO Co., Ltd. All Rights Reserved. i-PRO, Viewnetcam.com, Advidia, VideoInsight, CloUDE, and Unified Digital Evidence are registered trademarks or trademarks of i-PRO Co., Ltd. or i-PRO Americas Inc. in various jurisdictions. All other trademarks are the property of their respective owners.