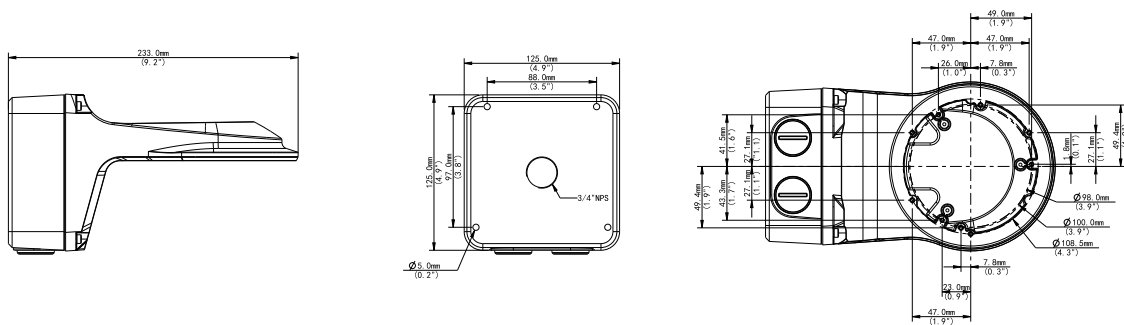


## Technical Specifications

Application	Wall installation for fixed dome (Extra back outlet)
Dimensions	Φ125mm*125mm*233mm (4.92" x 4.92" x 9.17")
Weight	0.98kg(2.16lb)
Material	Aluminum alloy

## Dimensions



R010422 | Product specifications and availability are subject to change without notice.

Panasonic i-PRO Sensing Solutions Co., Ltd. i-PRO, Viewnetcam.com, FacePRO, Advidia, VideoInsight, Arbitrator, CloUDE, and Unified Digital Evidence are registered trademarks or trademarks of Panasonic i-PRO Sensing Solutions Co., Ltd. or Panasonic i-PRO Sensing Solutions Corporation of America in various jurisdictions. All other trademarks are the property of their respective owners.