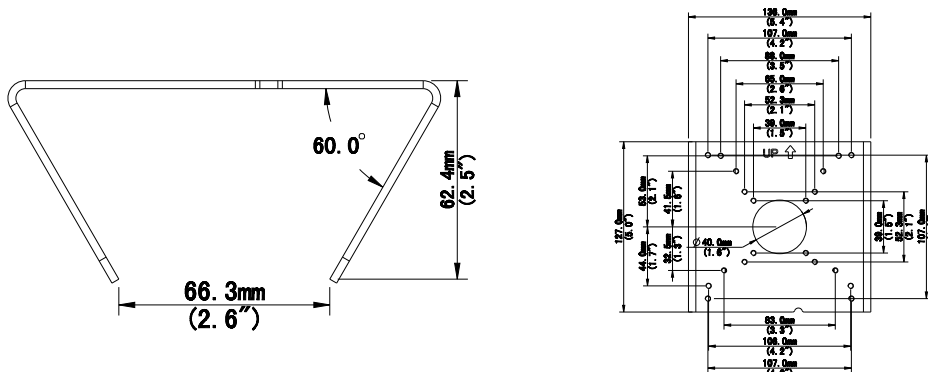




Technical Specifications

Application	Outdoor, pole installation for bullet camera
Dimensions (L x W x H)	127mm*136mm*62.5mm (5" x 5.35" x 2.46")
Embrace hoop diameter	67mm~127mm (2.6"~5")
Weight	0.34kg (0.75lb)
Material	Aluminum Alloy

Dimensions



R010422 | Product specifications and availability are subject to change without notice.

Panasonic i-PRO Sensing Solutions Co., Ltd. i-PRO, Viewnetcam.com, FacePRO, Advidia, VideoInsight, Arbitrator, CloUDE, and Unified Digital Evidence are registered trademarks or trademarks of Panasonic i-PRO Sensing Solutions Co., Ltd. or Panasonic i-PRO Sensing Solutions Corporation of America in various jurisdictions. All other trademarks are the property of their respective owners.