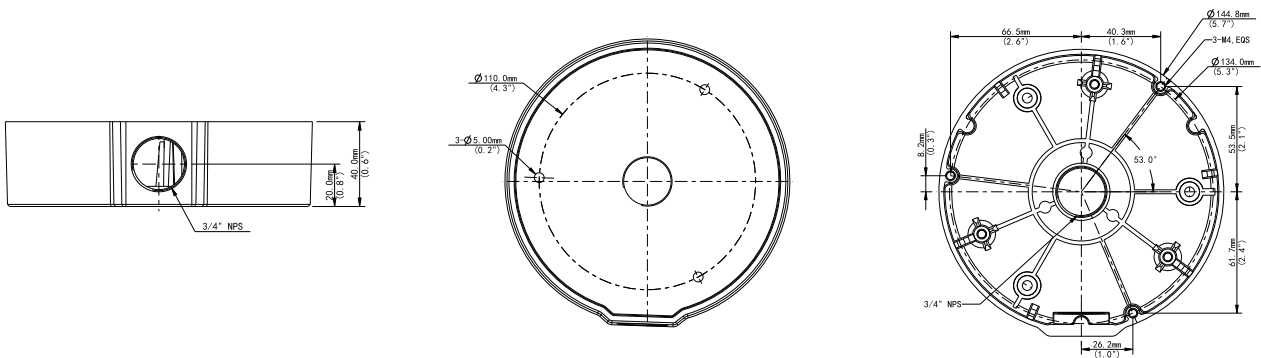




### Technical Specifications

Application	Junction box for fixed dome
Dimensions	Φ144.8mm*40mm (5.70" x 1.57")
Weight	0.3kg (0.66lb)
Material	Aluminum alloy

### Dimensions



R010422 | Product specifications and availability are subject to change without notice.

Panasonic i-PRO Sensing Solutions Co., Ltd. i-PRO, Viewnetcam.com, FacePRO, Advidia, VideoInsight, Arbitrator, CloUDE, and Unified Digital Evidence are registered trademarks or trademarks of Panasonic i-PRO Sensing Solutions Co., Ltd. or Panasonic i-PRO Sensing Solutions Corporation of America in various jurisdictions. All other trademarks are the property of their respective owners.