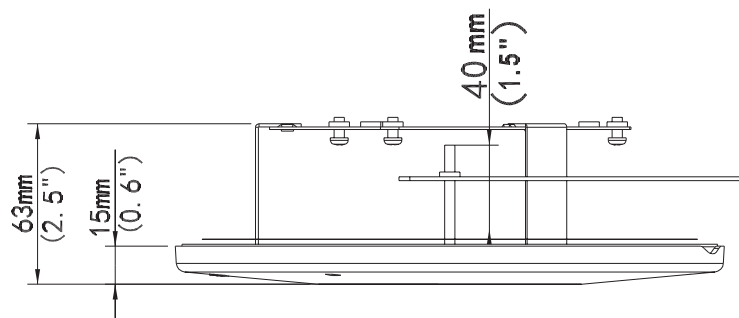


## Technical Specifications

Application	Indoor, indoor fixed dome in-ceiling installation
Dimensions	Φ235mm x 63mm (Φ9.3" x 2.5") In-ceiling hole: Φ195mm (Φ7.67")
Weight	0.49kg(1.1lb)
Material	Sheet metal and ABS

## Dimensions



R010422 | Product specifications and availability are subject to change without notice.

Panasonic i-PRO Sensing Solutions Co., Ltd. i-PRO, Viewnetcam.com, FacePRO, Advidia, VideoInsight, Arbitrator, CloUDE, and Unified Digital Evidence are registered trademarks or trademarks of Panasonic i-PRO Sensing Solutions Co., Ltd. or Panasonic i-PRO Sensing Solutions Corporation of America in various jurisdictions. All other trademarks are the property of their respective owners.