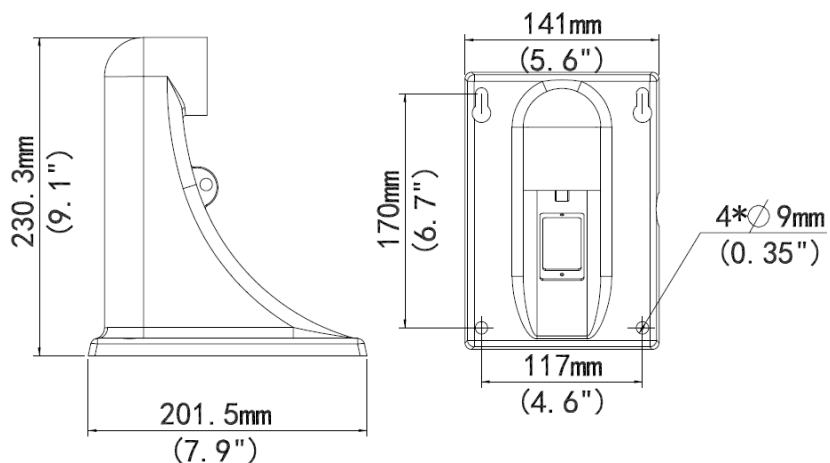




Technical Specifications

Application	Indoor or outdoor, wall installation for PTZ dome camera
Dimensions (L x W x H)	230.3mm x 141mm x 201.5mm (9.1" x 5.6" x 7.9")
Weight	0.79kg (1.74lb)
Material	Aluminum alloy

Dimensions



R113021 | Product specifications and availability are subject to change without notice.

Panasonic i-PRO Sensing Solutions Co., Ltd. i-PRO, Viewnetcam.com, FacePRO, Advidia, Videolnsight, Arbitrator, CloUDE, and Unified Digital Evidence are registered trademarks or trademarks of Panasonic i-PRO Sensing Solutions Co., Ltd. or Panasonic i-PRO Sensing Solutions Corporation of America in various jurisdictions. All other trademarks are the property of their respective owners.