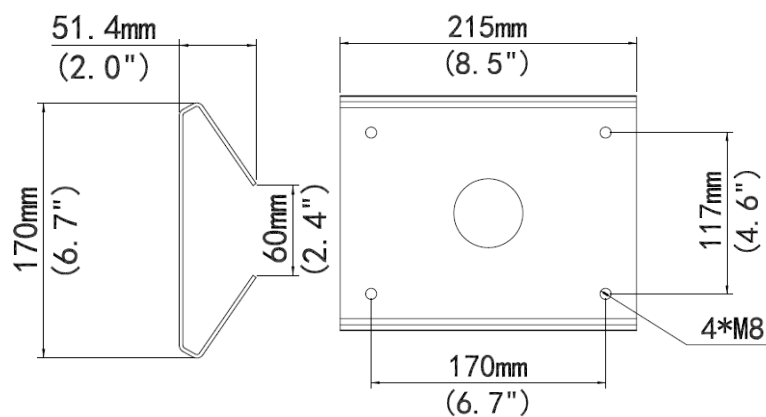




## Technical Specifications

|                        |  |
|------------------------|--|
| Application            | Indoor or outdoor, pole installation for PTZ dome camera |
| Dimensions (L x W x H) | 215mm x 170mm x 52mm (4.7" x 4.7" x 2.1")                |
| Embrace hoop diameter  | 67mm~127mm (2.6"~5")                                     |
| Weight                 | 1.47kg (3.2lb)   |
| Material               | Steel  |

## Dimensions



R113021 | Product specifications and availability are subject to change without notice.

Panasonic i-PRO Sensing Solutions Co., Ltd. i-PRO, Viewnetcam.com, FacePRO, Advidia, Videolnsight, Arbitrator, CloUDE, and Unified Digital Evidence are registered trademarks or trademarks of Panasonic i-PRO Sensing Solutions Co., Ltd. or Panasonic i-PRO Sensing Solutions Corporation of America in various jurisdictions. All other trademarks are the property of their respective owners.