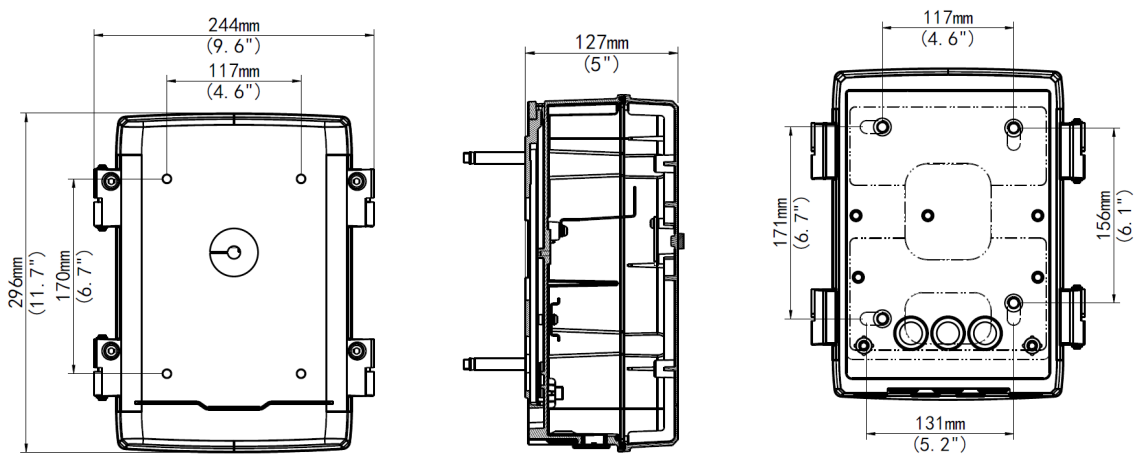




Technical Specifications

Application	Outdoor or indoor cable junction box for PTZ dome series
Dimensions	296mm x 244mm x 127mm (11.7" x 9.6" x 5")
Weight	2.5kg (5.5lb)
Material	Aluminum alloy

Dimensions



R113021 | Product specifications and availability are subject to change without notice.

Panasonic i-PRO Sensing Solutions Co., Ltd. i-PRO, Viewnetcam.com, FacePRO, Advidia, VideoInsight, Arbitrator, CloUDE, and Unified Digital Evidence are registered trademarks or trademarks of Panasonic i-PRO Sensing Solutions Co., Ltd. or Panasonic i-PRO Sensing Solutions Corporation of America in various jurisdictions. All other trademarks are the property of their respective owners.