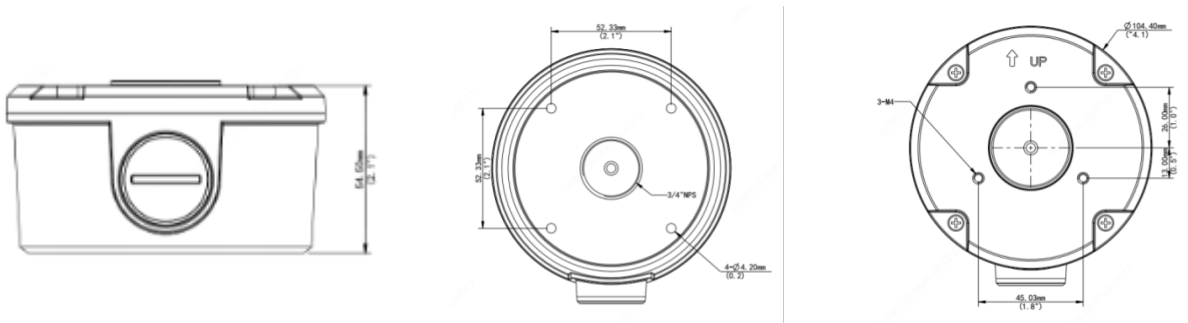




Technical Specifications

Application	Junction Box for Bullet Camera
Dimensions	Φ104.4mm*54.5mm (4.11" x 2.15")
Weight	0.36kg (0.79lb)
Material	Aluminum Alloy

Dimensions



R113021 | Product specifications and availability are subject to change without notice.

Panasonic i-PRO Sensing Solutions Co., Ltd. i-PRO, Viewnetcam.com, FacePRO, Advidia, Videolnsight, Arbitrator, CloUDE, and Unified Digital Evidence are registered trademarks or trademarks of Panasonic i-PRO Sensing Solutions Co., Ltd. or Panasonic i-PRO Sensing Solutions Corporation of America in various jurisdictions. All other trademarks are the property of their respective owners.