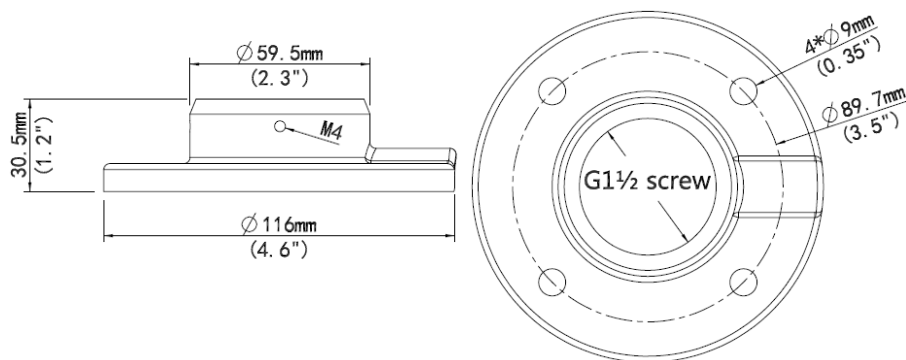




## Technical Specifications

Application	Indoor, PTZ dome pendant installation
Dimensions	Φ116mm x 30.5mm (Φ4.6" x 1.2")
Weight	0.3kg (0.66lb)
Material	Aluminum alloy

## Dimensions



R113021 | Product specifications and availability are subject to change without notice.

Panasonic i-PRO Sensing Solutions Co., Ltd. i-PRO, Viewnetcam.com, FacePRO, Advitia, Videolnsight, Arbitrator, CloUDE, and Unified Digital Evidence are registered trademarks or trademarks of Panasonic i-PRO Sensing Solutions Co., Ltd. or Panasonic i-PRO Sensing Solutions Corporation of America in various jurisdictions. All other trademarks are the property of their respective owners.