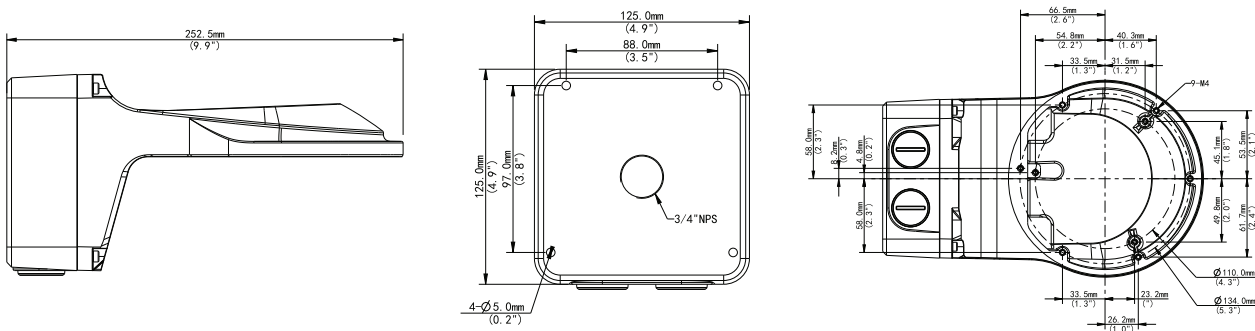




Technical Specifications

Application	Wall installation for fixed dome (Extra back outlet)
Dimensions	Φ125mm*125mm*252.5mm (4.92" x 4.92" x 9.94")
Weight	0.98kg(2.16lb)
Material	Aluminum alloy

Dimensions



R010422 | Product specifications and availability are subject to change without notice.

© i-PRO Co., Ltd. All Rights Reserved. i-PRO, Viewnetcam.com, Advidia, VideoInsight, CloUDE, and Unified Digital Evidence are registered trademarks or trademarks of i-PRO Co., Ltd. or i-PRO Americas Inc. in various jurisdictions. All other trademarks are the property of their respective owners.