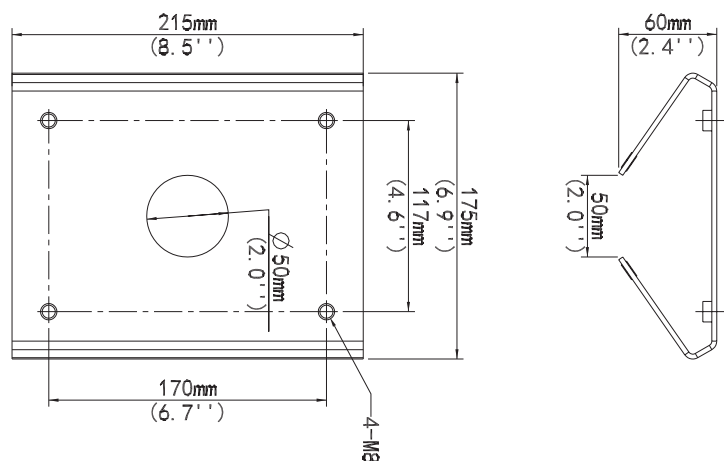




Technical Specifications

Application	Indoor or outdoor, pole installation for PTZ dome camera
Dimensions (L x W x H)	215mm x 170mm x 52mm (4.7" x 4.7" x 2.1")
Embrace hoop diameter	67mm~127mm (2.6"~5")
Weight	1.47kg (3.2lb)
Material	Steel

Dimensions



R010422 | Product specifications and availability are subject to change without notice.

© i-PRO Co., Ltd. All Rights Reserved. i-PRO, Viewnetcam.com, Advidia, VideoInsight, CloUDE, and Unified Digital Evidence are registered trademarks or trademarks of i-PRO Co., Ltd. or i-PRO Americas Inc. in various jurisdictions. All other trademarks are the property of their respective owners.