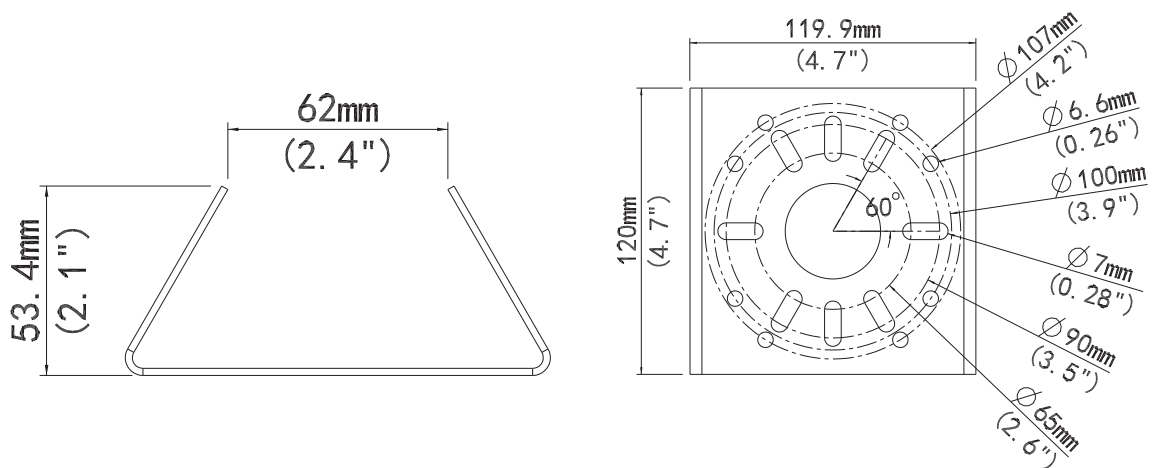


Technical Specifications

Application	Outdoor, pole or rail installation
Dimensions(L × W × H)	120mm x 120mm x 53.4mm (4.7"x 4.7"x 2.1")
Embrace hoop diameter	67mm~127mm(2.6"~5")
Weight	0.45kg(0.99lb)
Material	Galvanized sheet

Dimensions



R010422 | Product specifications and availability are subject to change without notice.

© i-PRO Co., Ltd. All Rights Reserved. i-PRO, Viewnetcam.com, Advidia, VideoInsight, CloUDE, and Unified Digital Evidence are registered trademarks or trademarks of i-PRO Co., Ltd. or i-PRO Americas Inc. in various jurisdictions. All other trademarks are the property of their respective owners.