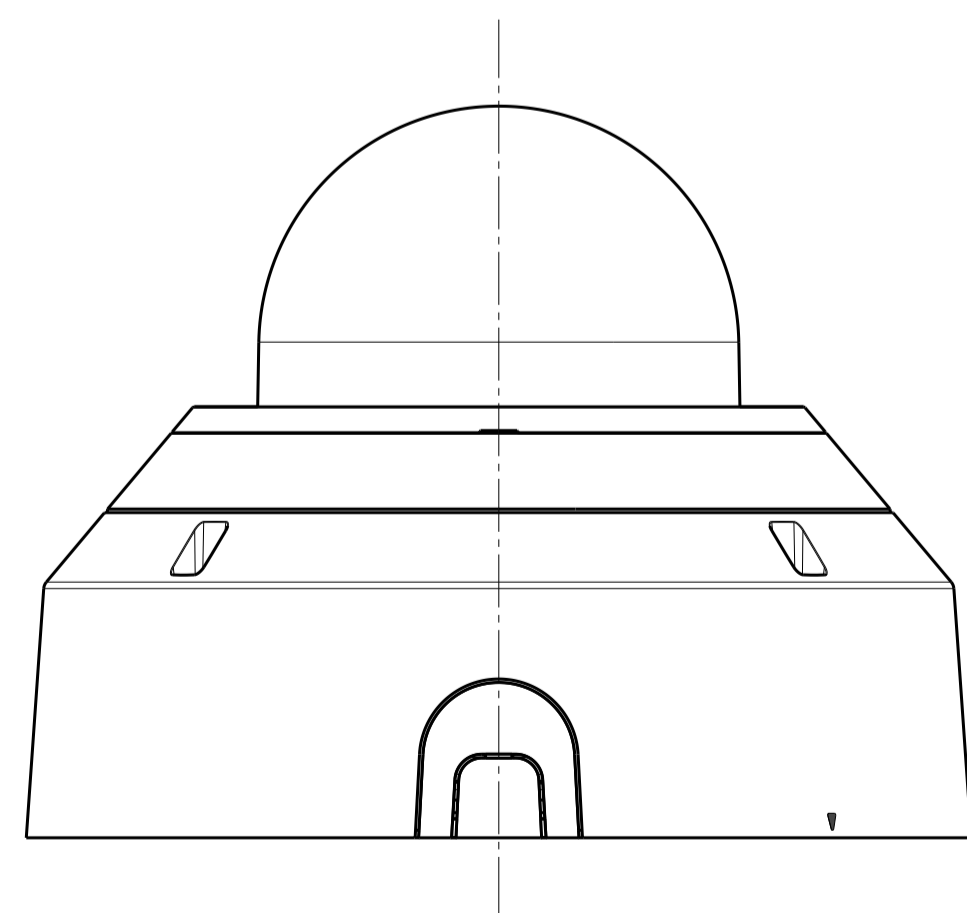
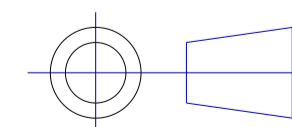


With attachment plate

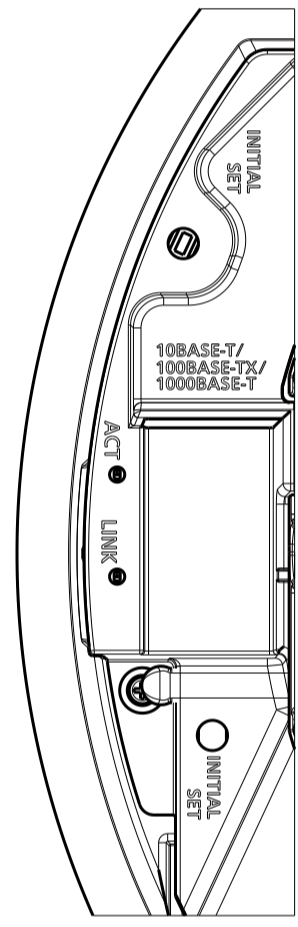


Unit:mm

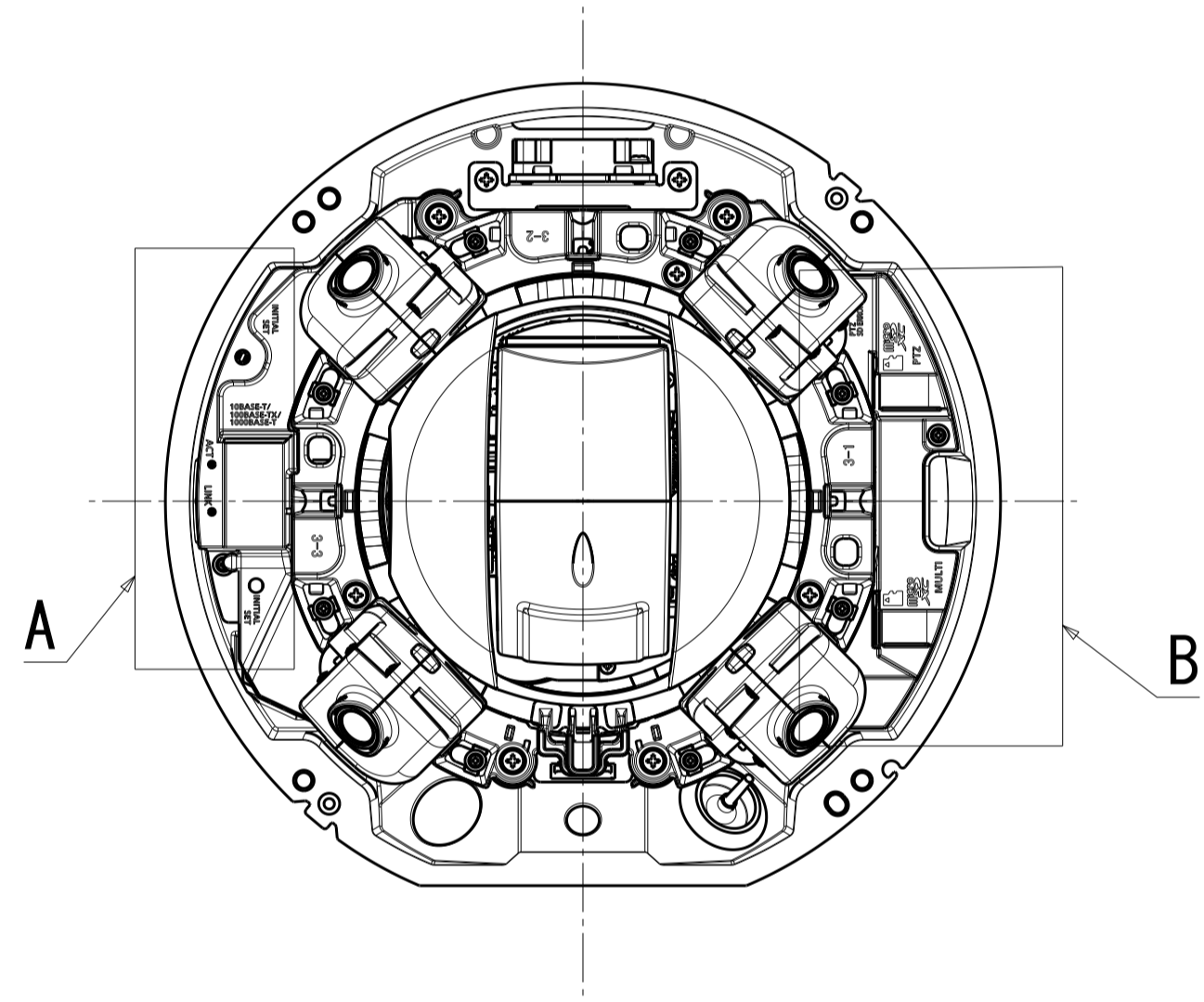


側面図/Side-view	投影面積/Projected area
	0.034 (m <sup>2</sup> )

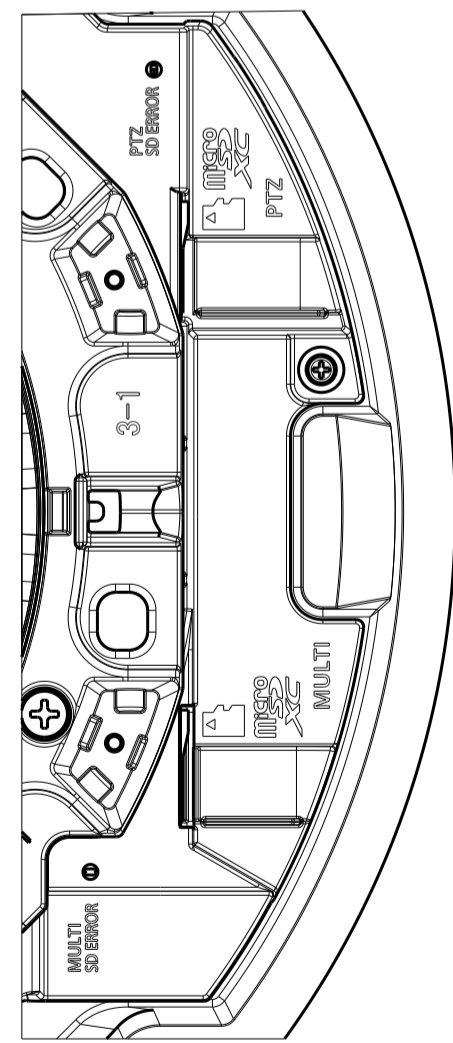
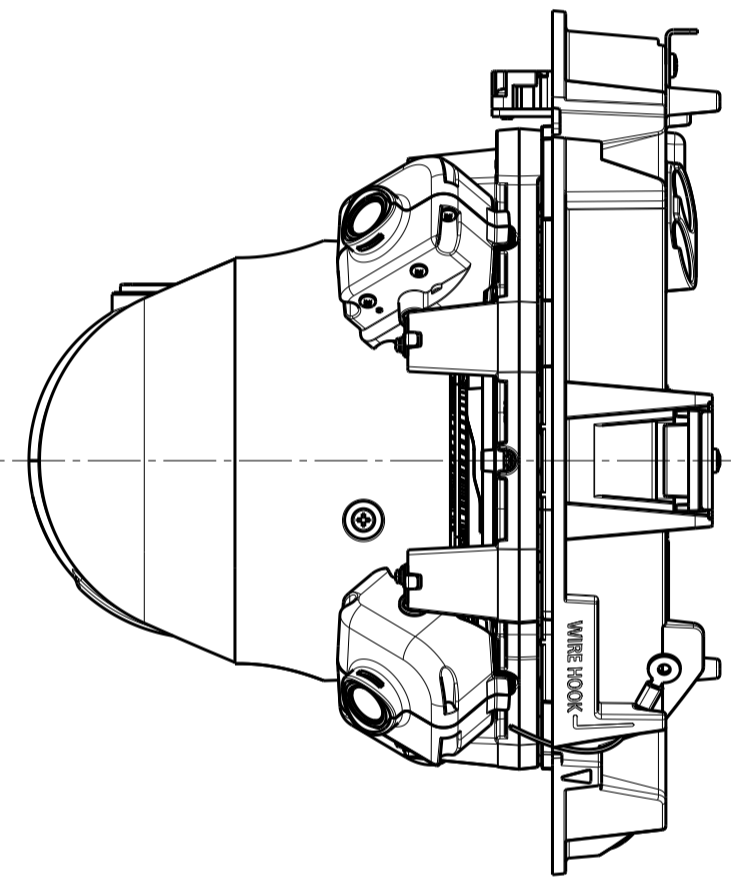
Mass : Approx. 3.8 kg {8.39 lbs} (When using the attachment plate)



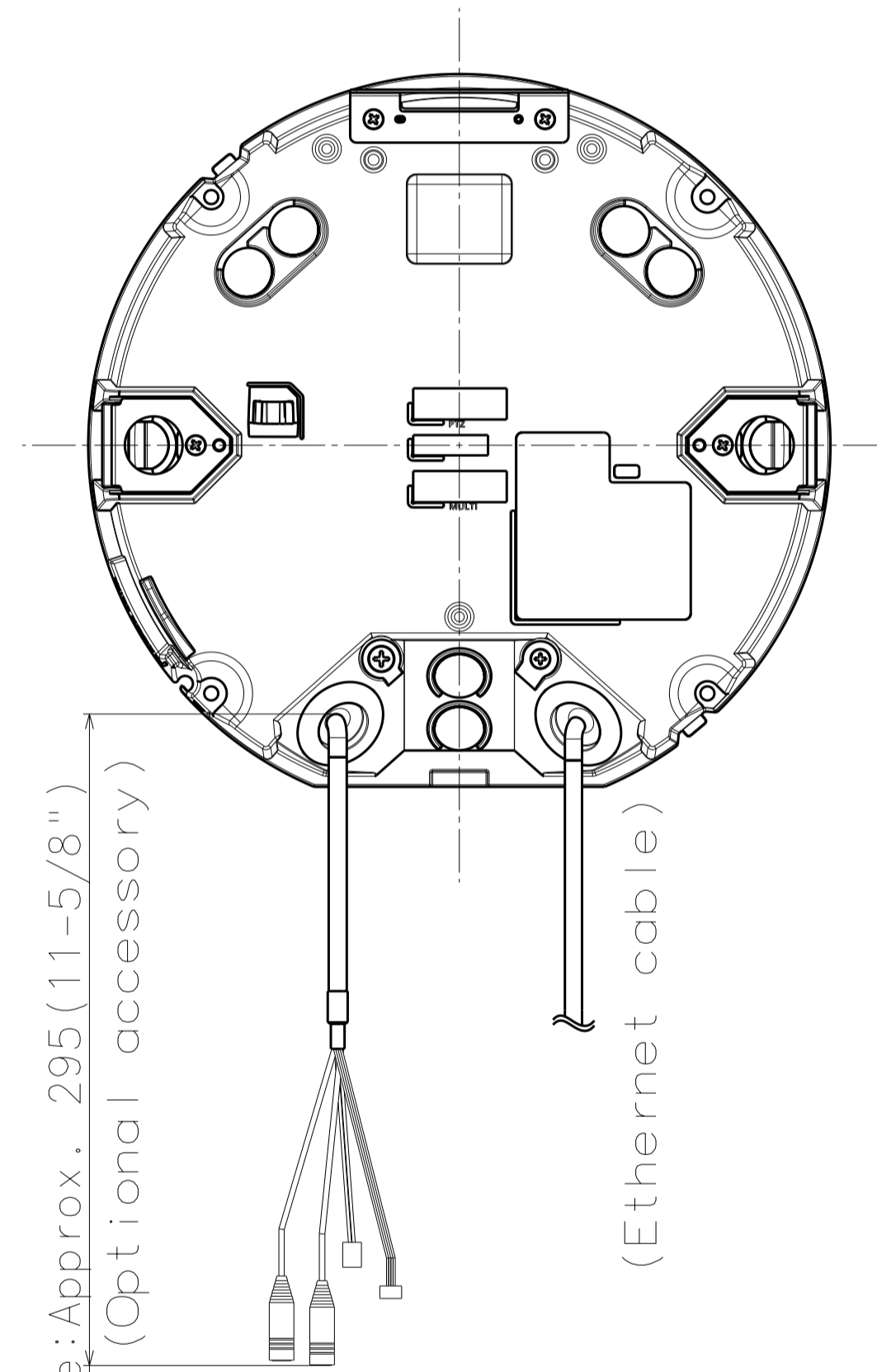
Detail A (1:1)



Removing enclosure



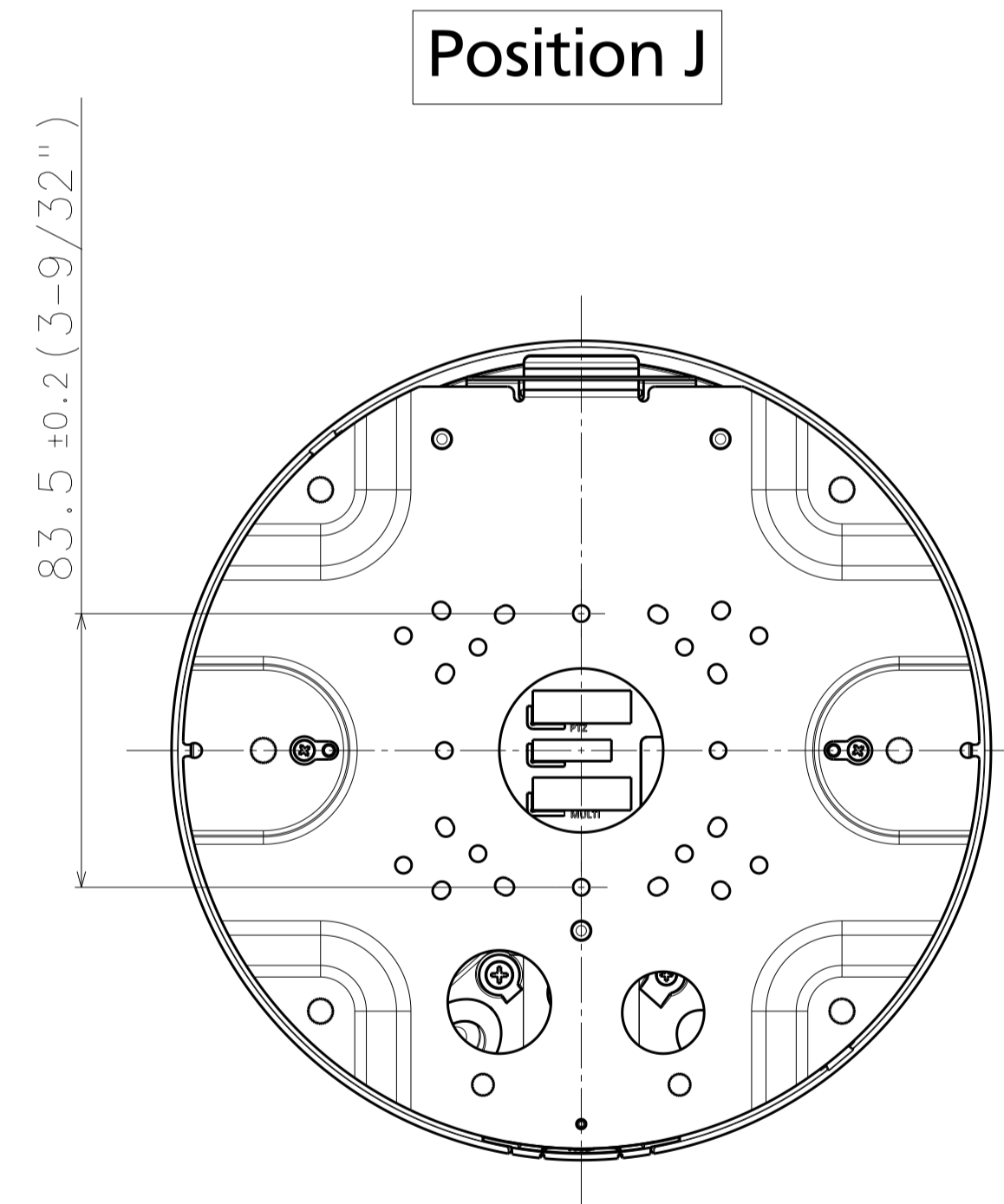
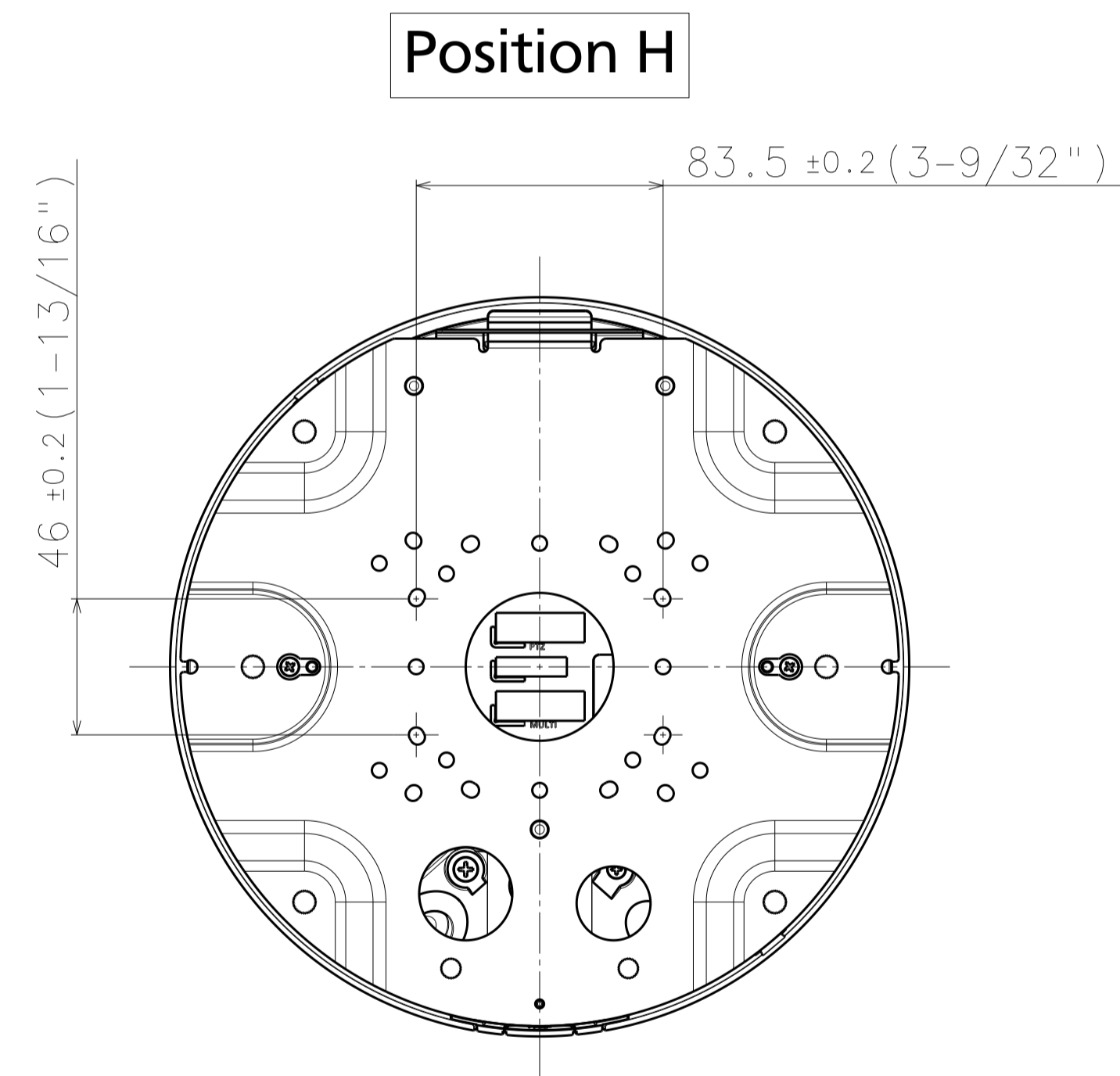
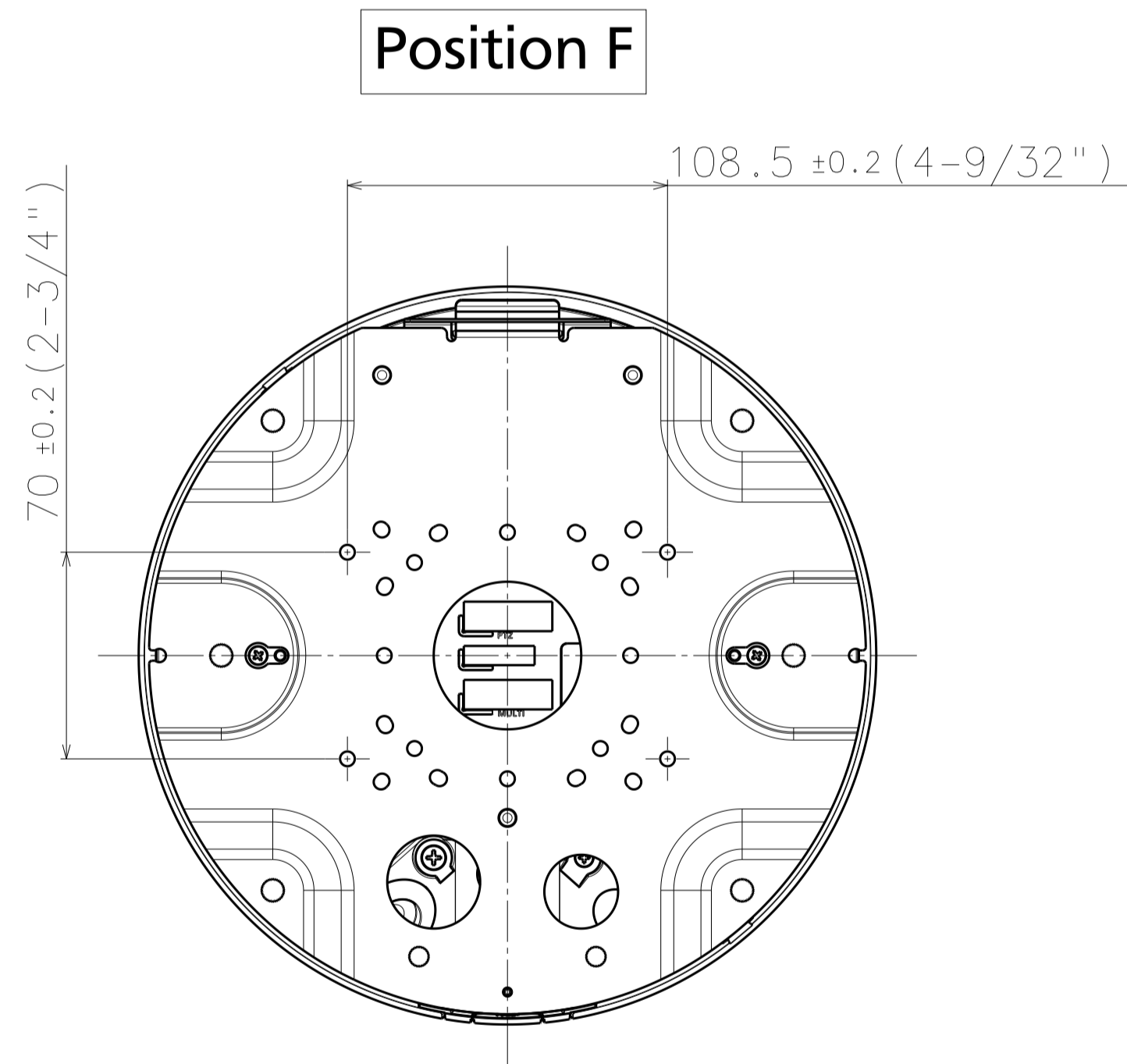
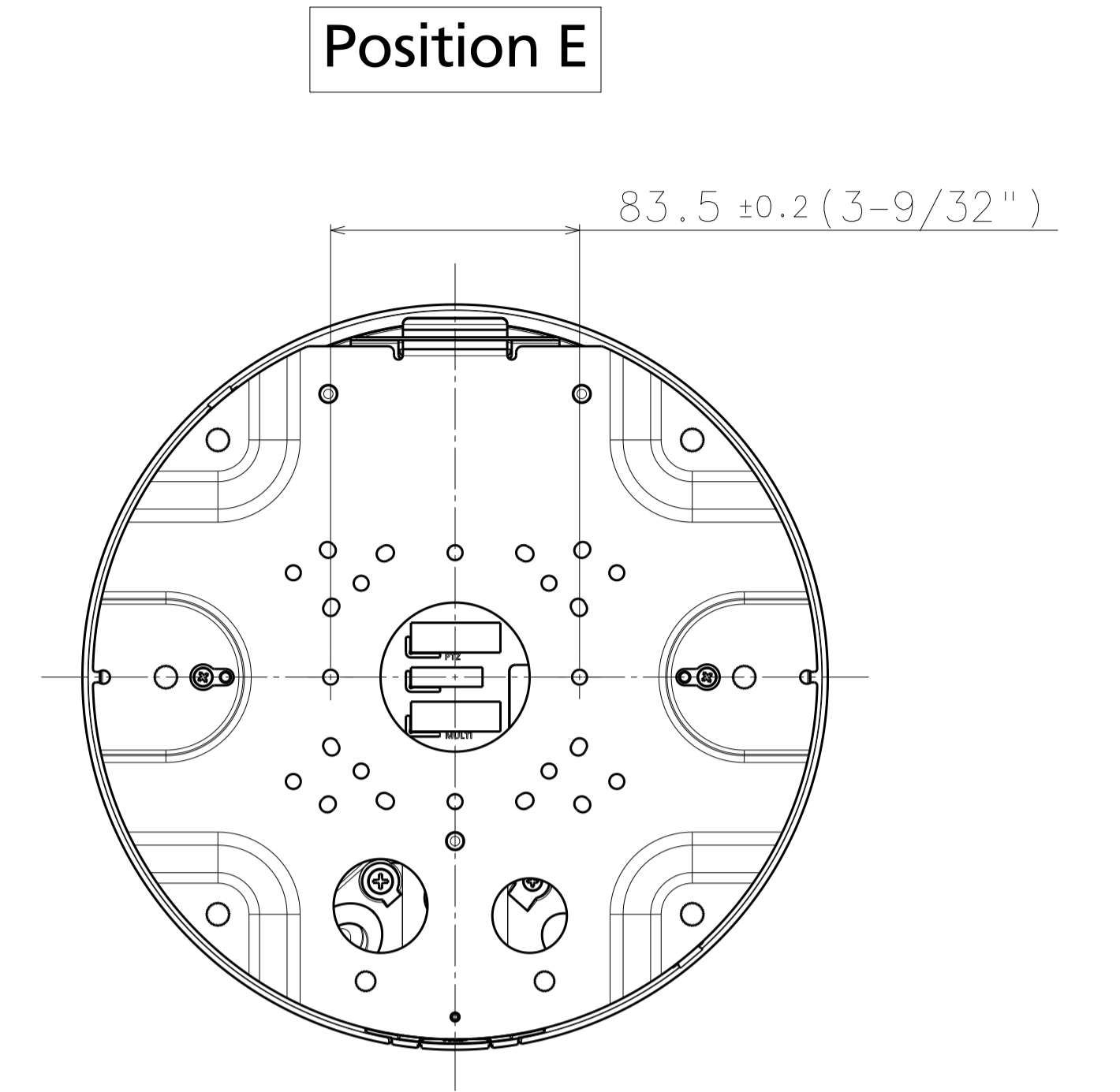
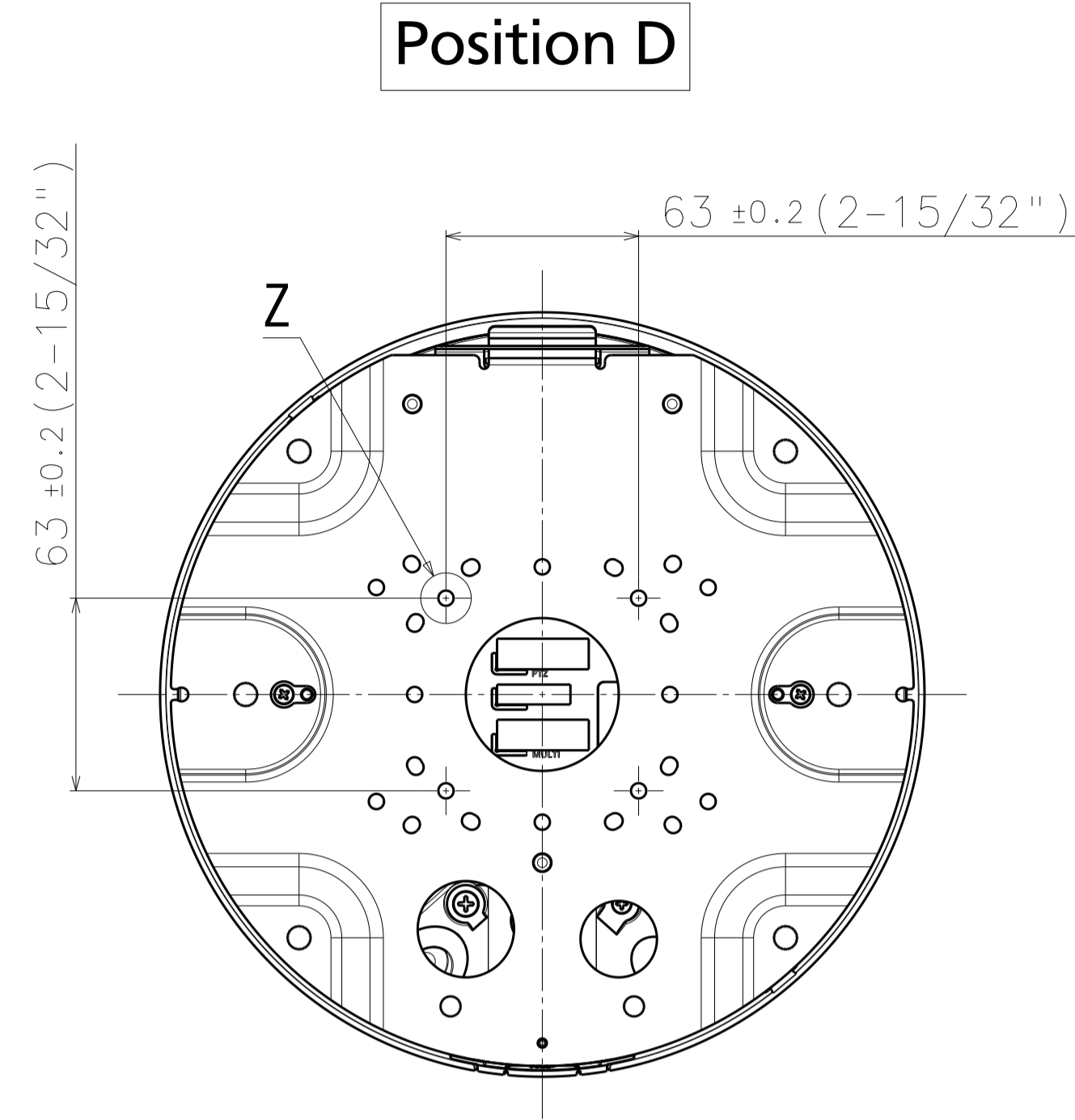
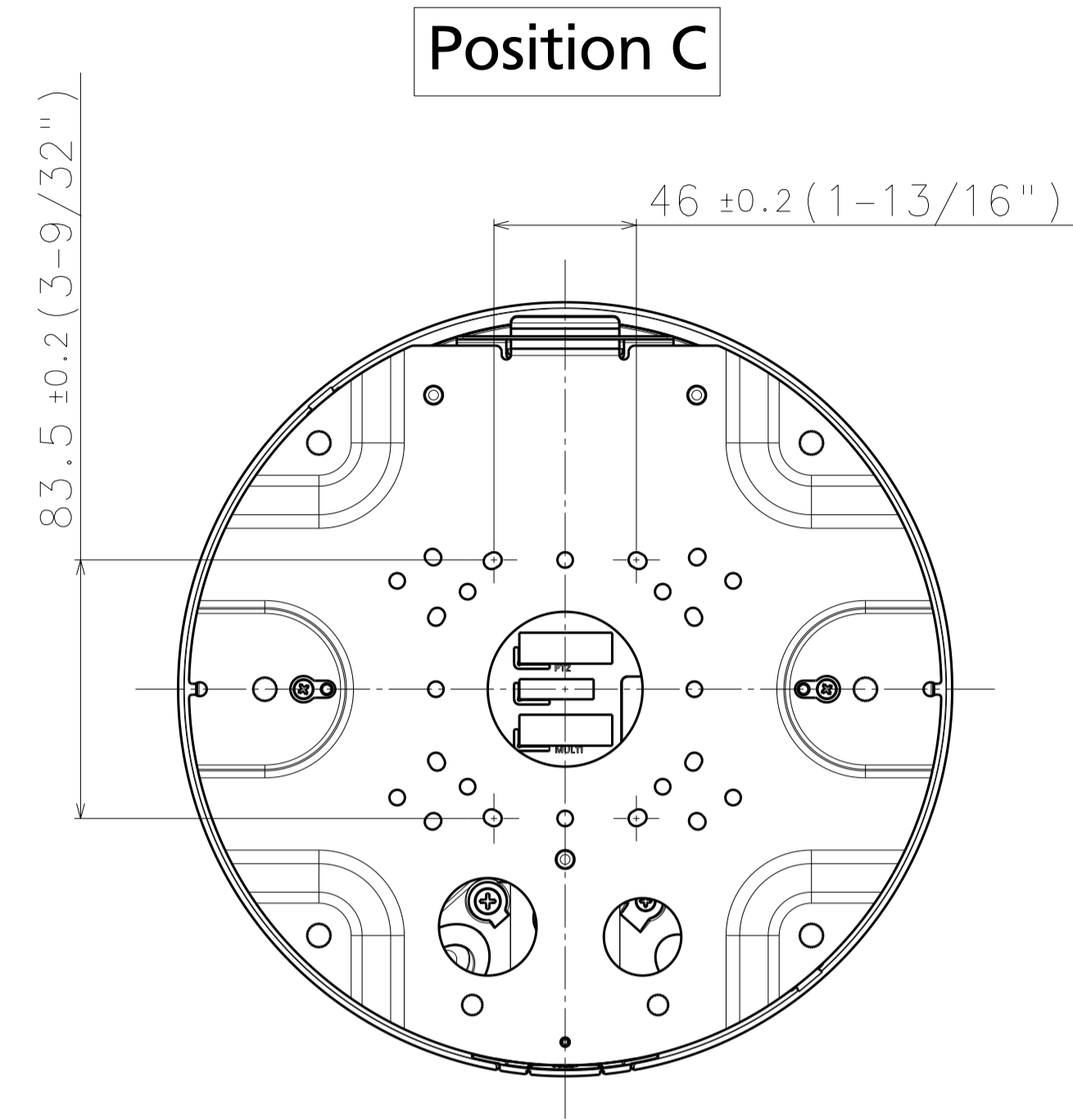
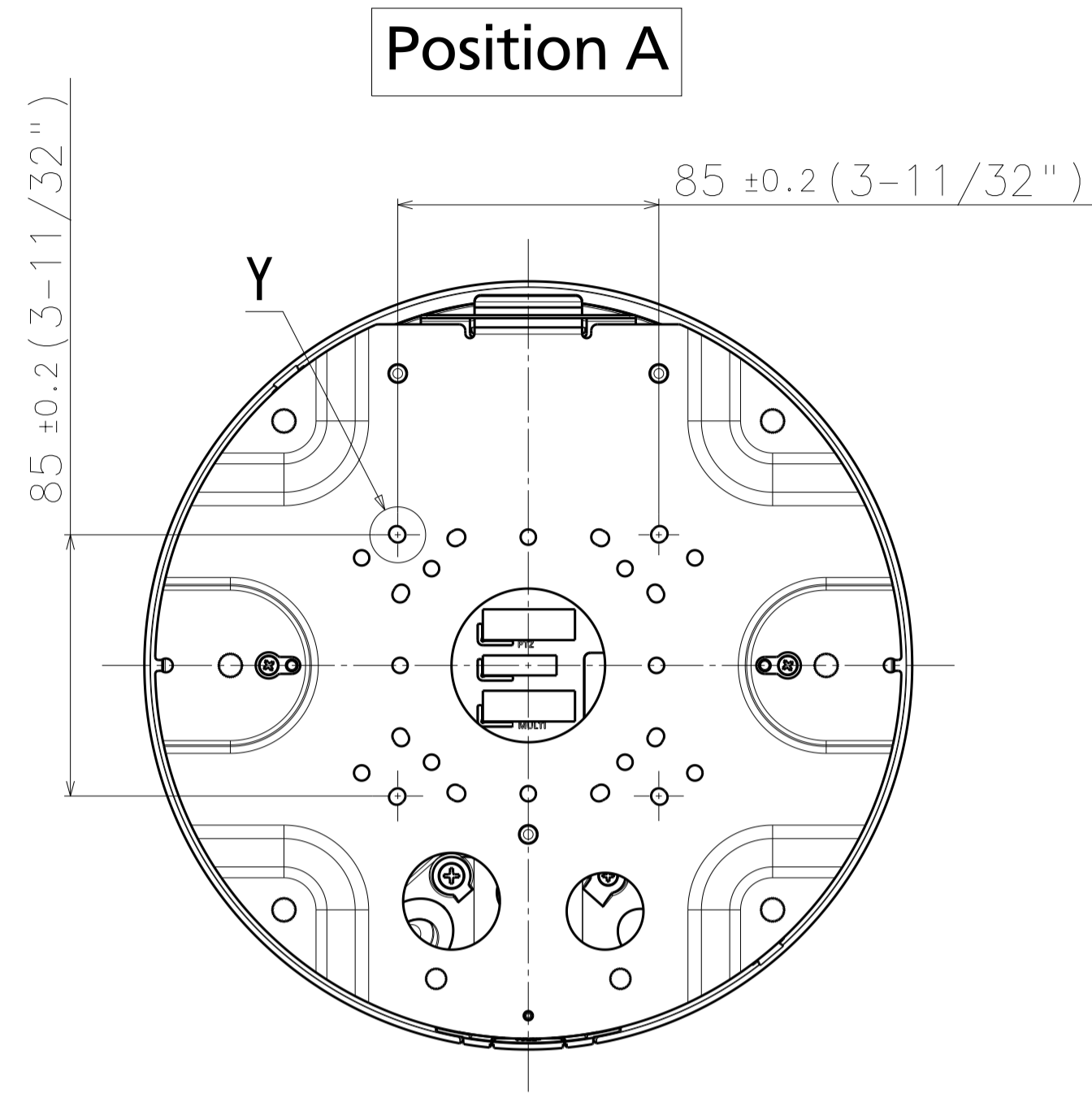
Detail B (1:1)



Cable Length from outline: Approx. 295 (11-5/8")  
(Optional accessory)

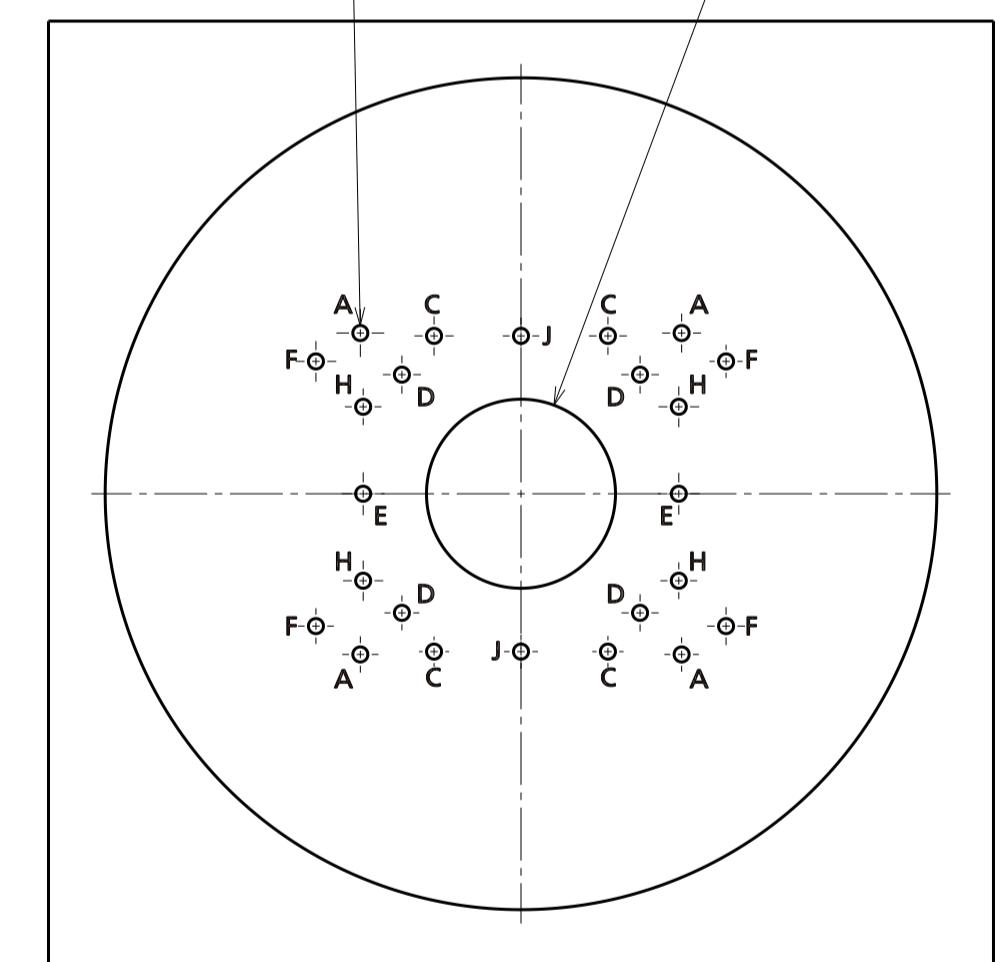
(Ethernet cable)

# Mounting hole layout

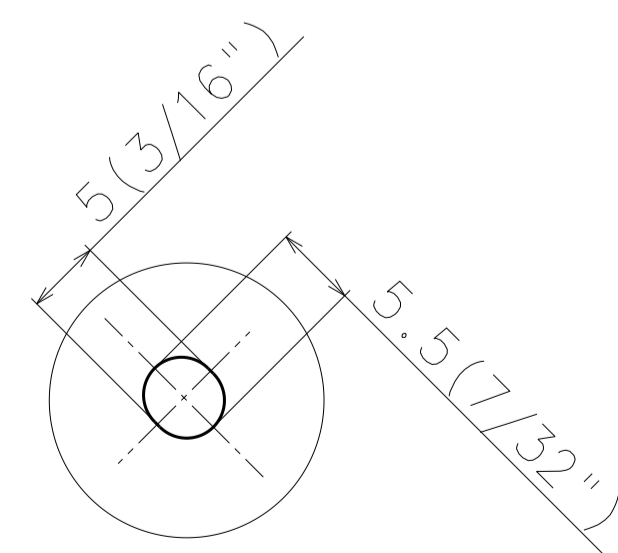


24xM4  
(Recommended screw)

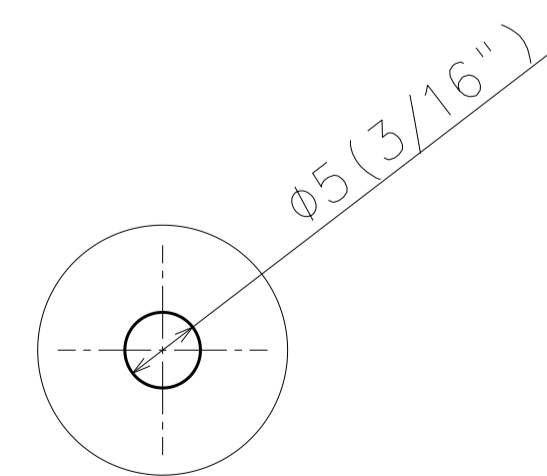
∅50 (1-31/32")  
(Cable access hole)



**Template for mounting**

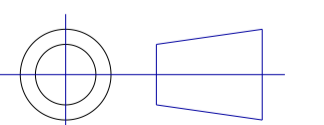


**Detail Y (2:1)**  
Hole size (Position A, C, H)

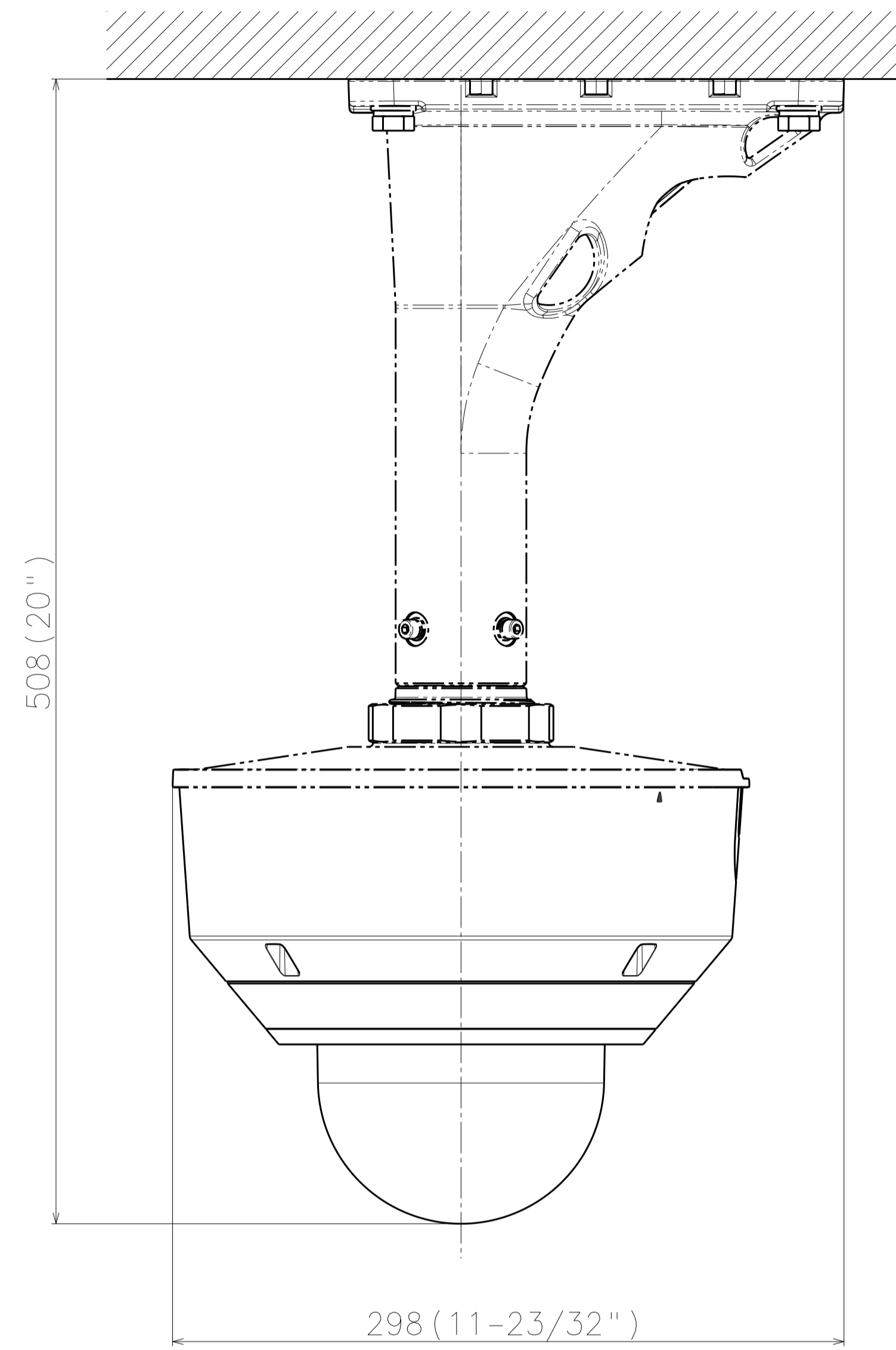


**Detail Z (2:1)**  
Hole size (Position D, E, F, J)

Unit:mm

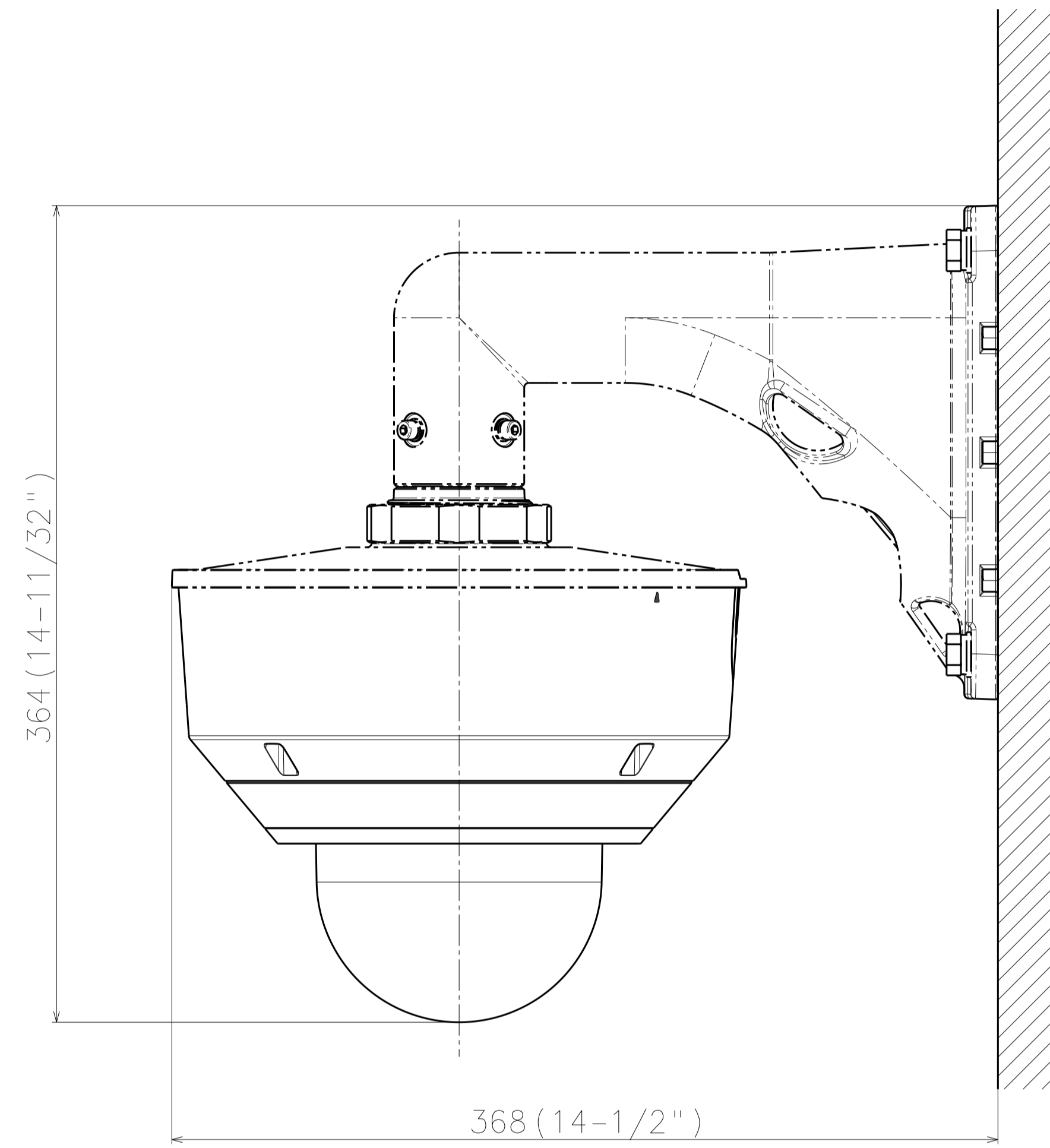


金具との組み合わせ例  
Example of combination with bracket



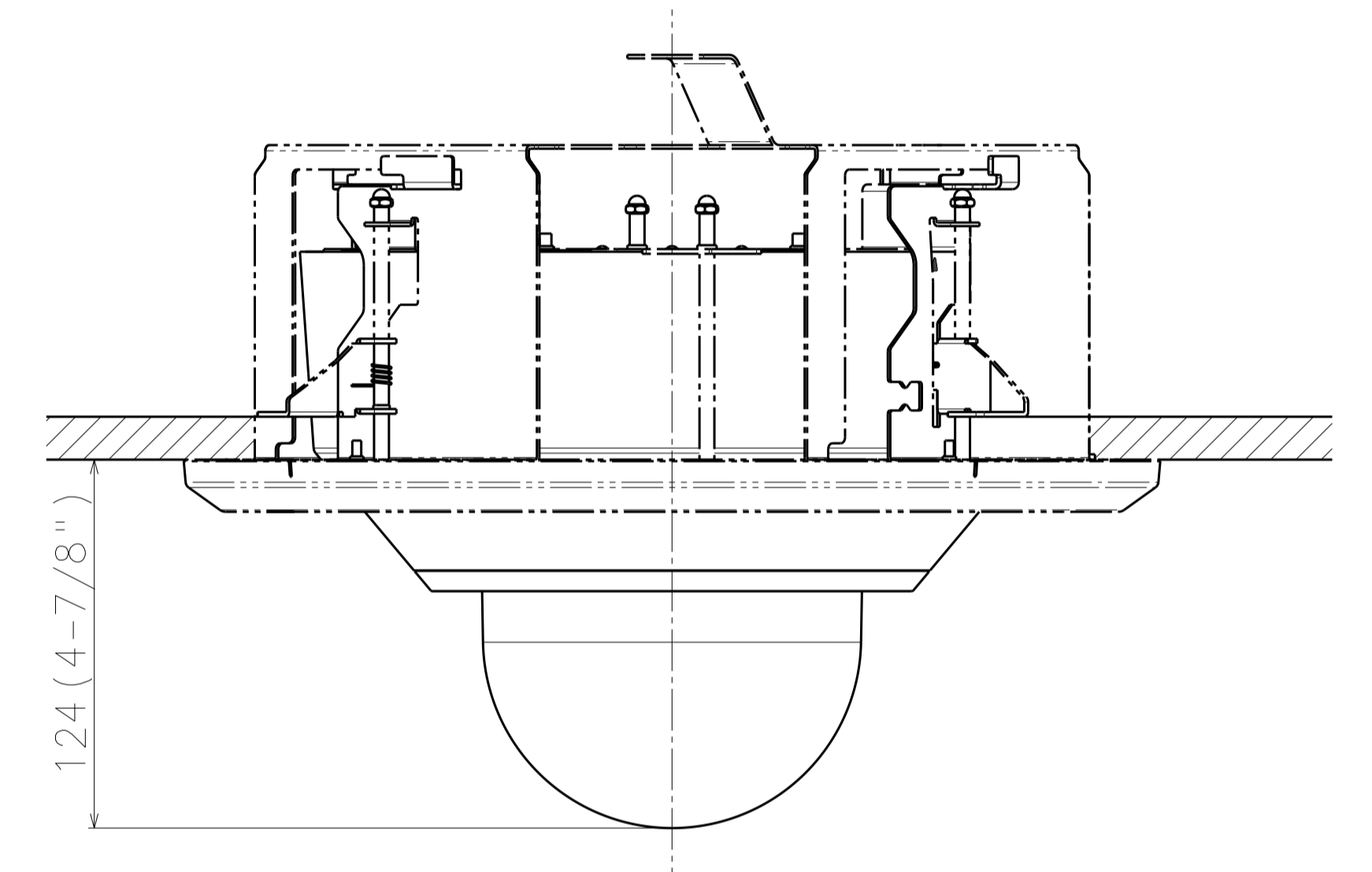
Attach to WV-QSR508\*\* & WV-QCL501\*\*

	投影面積/Projected area
正面図/Front-view	0.057 (m <sup>2</sup> )
側面図/Side-view	0.064 (m <sup>2</sup> )



Attach to WV-QSR508\*\* & WV-QWL501\*\*

	投影面積/Projected area
正面図/Front-view	0.056 (m <sup>2</sup> )
側面図/Side-view	0.067 (m <sup>2</sup> )



Attach to WV-QEM506\*\*

Unit:mm

