

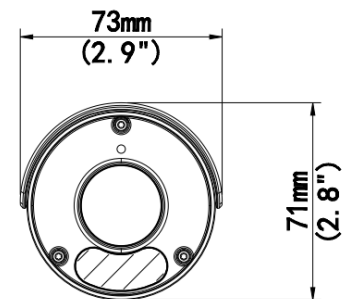
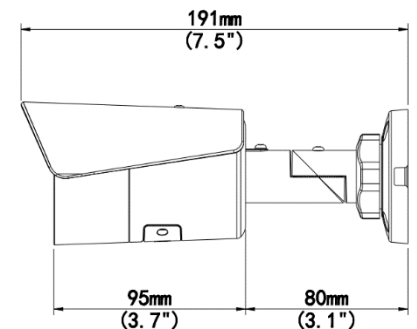
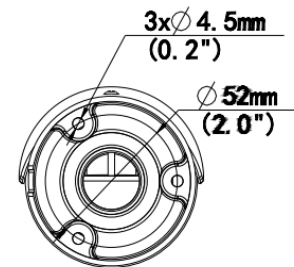
Overview

- 4 Megapixel IR
- True WDR 120dB
- 2.8mm Fixed Lens
- H.265, H.264, MJPEG
- Support 9:16 Corridor Mode
- IP67
- Built-In Mic
- NDAA Compliant
- ONVIF Profile G, S, T



Technical Specifications

Device	
Image Sensor:	1 / 2.8" Progressive Scan CMOS
Min Illumination:	Color: 0.003Lux (F1.6, AGC ON) 0Lux with IR
Shutter Time:	Auto/Manual, 1 ~ 1/100000s
Lens:	2.8mm@F1.6
True WDR:	120 dB
S/N	>56dB
Angle of View:	H: 101.1°, V: 55.3°, O: 111.1°
Angle Adjustment:	Pan: 0° ~ 360° Tilt: 0° ~ 90° Rotate: 0° ~ 360°
3-Axis Adjustment:	Yes
Day & Night:	IR-Cut Filter with Auto Switch (ICR)
IR Range:	Up to 50m (164ft) IR range
Compression Standard	
Video Compression:	H.265, H.264, MJPEG
Video Bit Rate:	128 Kbps~16 Mbps
Two Stream:	Yes
Analytics:	Cross line & Intrusion (based on Human Body Detection), Motion Detection, Tampering Alarm, Audio Detection
Image	
Max. Image Resolution:	2688*1520
Frame Rate:	25fps (2688*1520)
ROI Codec:	Up to 8 areas
Image Setting:	White Balance, Digital Noise Reduction, Smart IR, Flip, HLC, BLC, Defog



Technical Specifications

Network					
Protocols:	IPv4, IPv6, IGMP, ICMP, ARP, TCP, UDP, DHCP, RTP, RTSP, RTCP, RTMP, DNS, DDNS, NTP, FTP, UPnP, HTTP, HTTPS, SMTP, SSL/TLS, 802.1x, SNMP				
Interface					
Communication Interface:	10M/100M Base-TX Ethernet				
Edge Storage:	Micro SD, up to 256GB				
Audio Compression:	G.711U, G.711A				
DORI					
DORI	Lens (mm)	Detect (m)	Observe (m)	Recognize (m)	Identify (m)
Distance:	2.8	63.0	25.2	12.6	6.3
General					
Safety:	CE: EN 62368-1 UL: UL 62368-1				
EMC:	FCC Part 15 CE-EMC: EN 55032/ EN 55035/ EN IEC 61000-3-2/ EN 61000-3-3				
Operating Conditions:	Temperature: -30°C~60°C(-22°F~140°F), Humidity: ≤95%RH(Non-Condensing)				
Power Consumption:	Max 6.0 W				
Power Supply:	DC 12V±25%, PoE (IEEE 802.3af)				
Weather Proof Rating:	IP67				
Dimensions:	191×73×71mm (7.5"×2.9"×2.8")				
Net Weight:	0.45kg (0.99lb)				
Software:	No license required for use with Video Insight Software				
Optional Accessories	<p>M-JB-MINI-B</p> 		<p>M-PM-B</p> 		<p>M-NPT34</p> 