

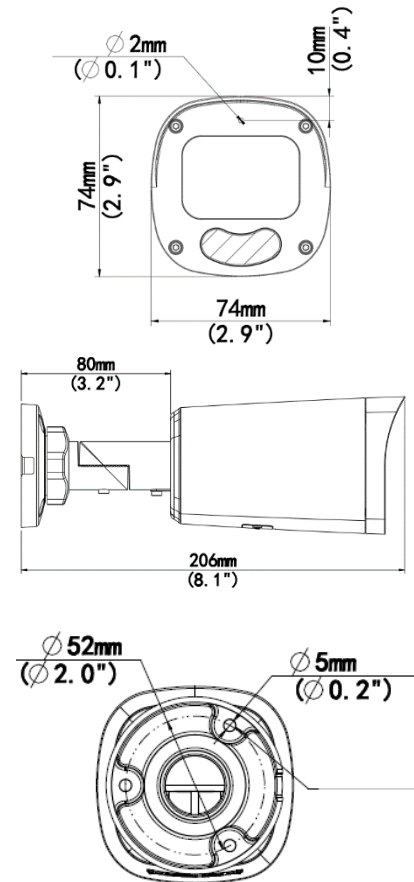
Overview

- 2 Megapixel IR
- WDR 120dB
- 2.8 - 12mm Varifocal Lens
- H.265, H.264, MJPEG
- IP67
- Built-in Mic
- NDAA Compliant
- ONVIF Profile G, S, T






Technical Specifications

Device	
Image Sensor:	1/2.7", 2.0-megapixel, progressive scan, CMOS
Min Illumination:	Colour: 0.005Lux (F1.6, AGC ON) 0Lux with IR
Shutter Time:	Auto/Manual, 1 ~ 1/100000s
Lens:	2.8 ~ 12mm, AF automatic focusing and motorized zoom lens
WDR:	120dB
SNR:	>52dB
Angle of View:	H: 108.05°~32.59°V: 56.81°~18.36°, 111.91°~36.53°
Angle Adjustment:	Pan: 0° ~ 360° Tilt: 0° ~ 90° Rotate: 0° ~ 360°
3-Axis Adjustment:	Yes
Day & Night:	IR-Cut Filter with Auto Switch (ICR)
IR Range:	Up to 50m (164ft) IR range
Compression Standard	
Video Compression:	H.265, H.264, MJPEG
Video Bit Rate:	128 Kbps ~ 6 Mbps
Two Stream:	Yes
Analytics:	Cross line, intrusion (based on human body detection) motion detection, tampering alarm, audio detection
Image	
Max. Image Resolution:	1920 x 1080
Frame Rate:	30fps (1920 x 1080)
ROI Codec:	Up to 8 areas
Image Setting:	White Balance, Digital Noise Reduction, Smart IR, Flip, HLC, BLC, Defog



Technical Specifications

Network					
Protocols:	IPv4, IGMP, ICMP, ARP, TCP, UDP, DHCP, RTP, RTSP, RTCP, RTMP, DNS, DDNS, NTP, FTP, UPnP, HTTP, HTTPS, SMTP, SSL/TLS, QoS, SNMP				
Interface					
Communication Interface:	10M/100M Base-TX Ethernet				
Edge Storage	Micro SD, up to 128GB				
Audio Compression	G.711				
DORI					
DORI	Lens (mm)	Detect (m)	Observe (m)	Recognize (m)	Identify (m)
Distance	2.8	42	16.8	8.4	4.2
	12	180	72	36	18
General					
Safety	CE: EN 62368-1 UL: UL 62368-1				
EMC	FCC: FCC Part 15 CE-EMC: EN 55032/ EN 55035/ EN IEC 61000-3-2/ EN 61000-3-3				
Operating Conditions:	Temperature: -30°C~60°C(-22°F~140°F), Humidity: ≤95%RH (Non-Condensing)				
Power Consumption:	Max 8.5 W				
Power Supply:	DC 12V±25%, PoE (IEEE 802.3af)				
Weatherproof Rating:	IP67				
Dimensions:	206 × 74 × 74mm (8.1" × 2.9" × 2.9")				
Net Weight:	0.54kg (1.19lb)				
Material	Metal				
Software:	No license required for use with Video Insight Software				
Optional Accessories	M-JB-MINI-B 		M-PM-B 		M-NPT34 

© i-PRO Co., Ltd. All Rights Reserved. i-PRO, Viewnetcam.com, advidia, VideoInsight, ClouDE, and Unified Digital Evidence are registered trademarks or trademarks of i-PRO Co., Ltd., or i-PRO Americas Inc. in various jurisdictions. All other trademarks are the property of their respective owners.