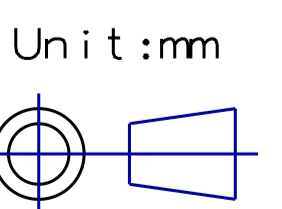


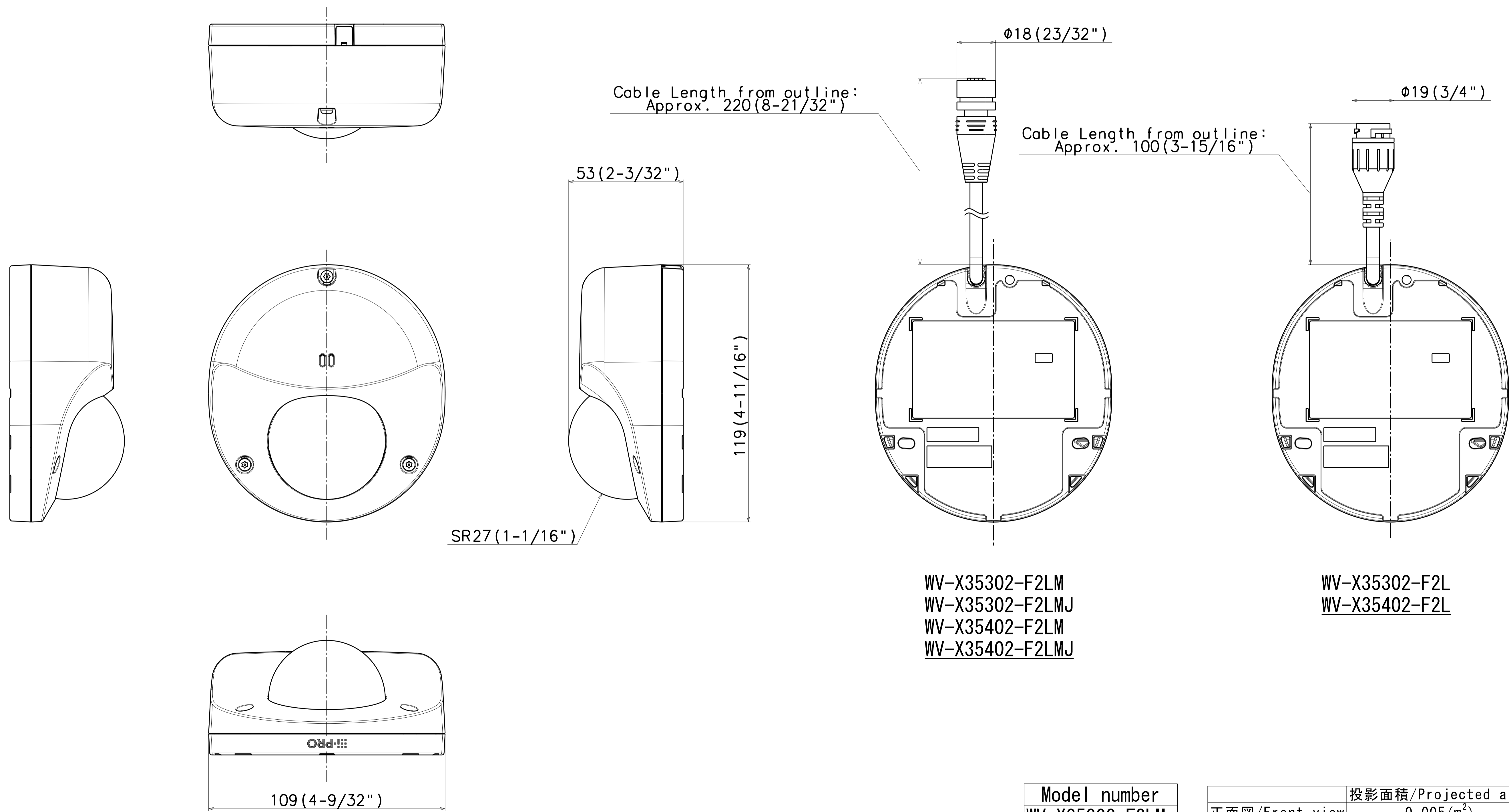
| Model number    |  |
|-----------------|--|
| WV-S35302-F2L   |  |
| WV-S35302-F2LJ  |  |
| WV-S35302-F2LG  |  |
| WV-S35302-F2L1  |  |
| WV-S35302-F2L1J |  |
| WV-S35402-F2L   |  |
| WV-S35402-F2LJ  |  |
| WV-S35402-F2LG  |  |
| WV-S35402-F2L1  |  |
| WV-S35402-F2L1J |  |

|                | 投影面積/Projected area     |
|----------------|-------------------------|
| 正面図/Front-view | 0.005 (m <sup>2</sup> ) |
| 側面図/Side-view  | 0.005 (m <sup>2</sup> ) |

Mass : Approx. 550 g {1.21 lbs}



車載モデル  
In-vehicle model



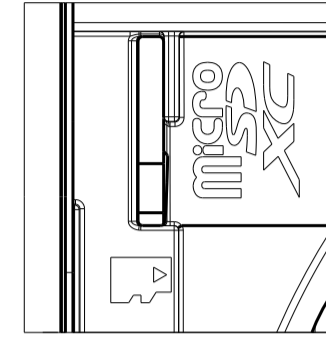
WV-X35302-F2LM  
WV-X35302-F2LMJ  
WV-X35402-F2LM  
WV-X35402-F2LMJ

WV-X35302-F2L  
WV-X35402-F2L

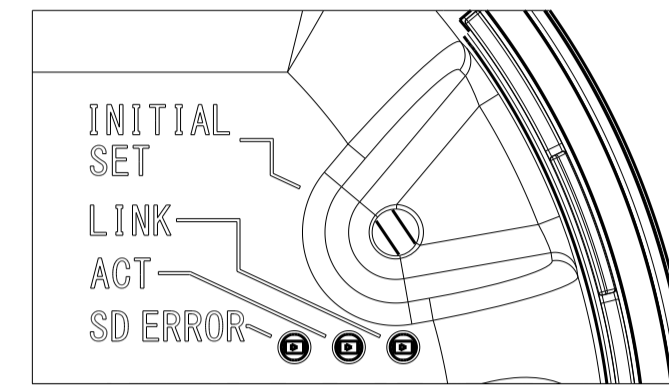
| Model number    |
|-----------------|
| WV-X35302-F2LM  |
| WV-X35302-F2LMJ |
| WV-X35302-F2L   |
| WV-X35402-F2LM  |
| WV-X35402-F2LMJ |
| WV-X35402-F2L   |

|                                 | 投影面積/Projected area     |
|---------------------------------|-------------------------|
| 正面図/Front-view                  | 0.005 (m <sup>2</sup> ) |
| 側面図/Side-view                   | 0.005 (m <sup>2</sup> ) |
| Mass : Approx. 550 g {1.21 lbs} |                         |

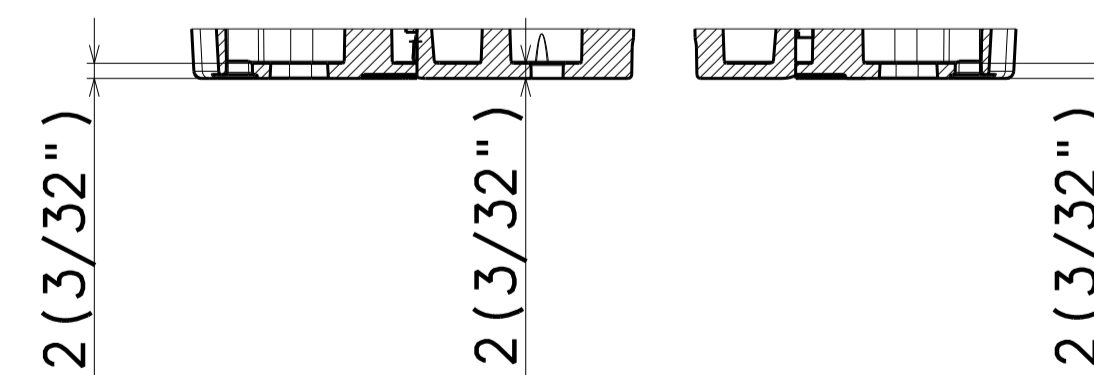
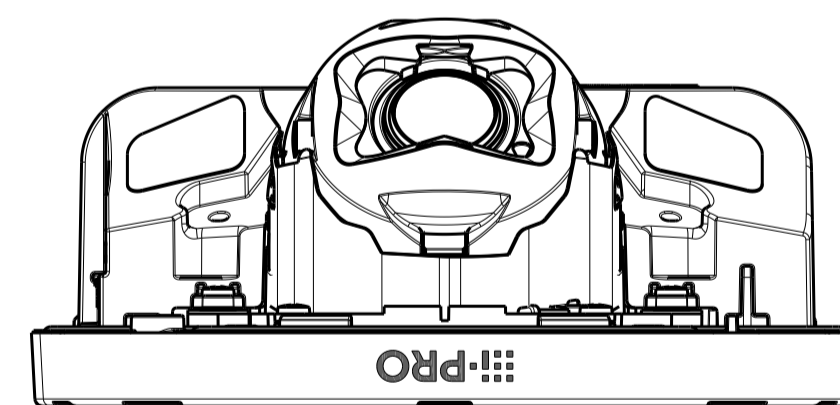
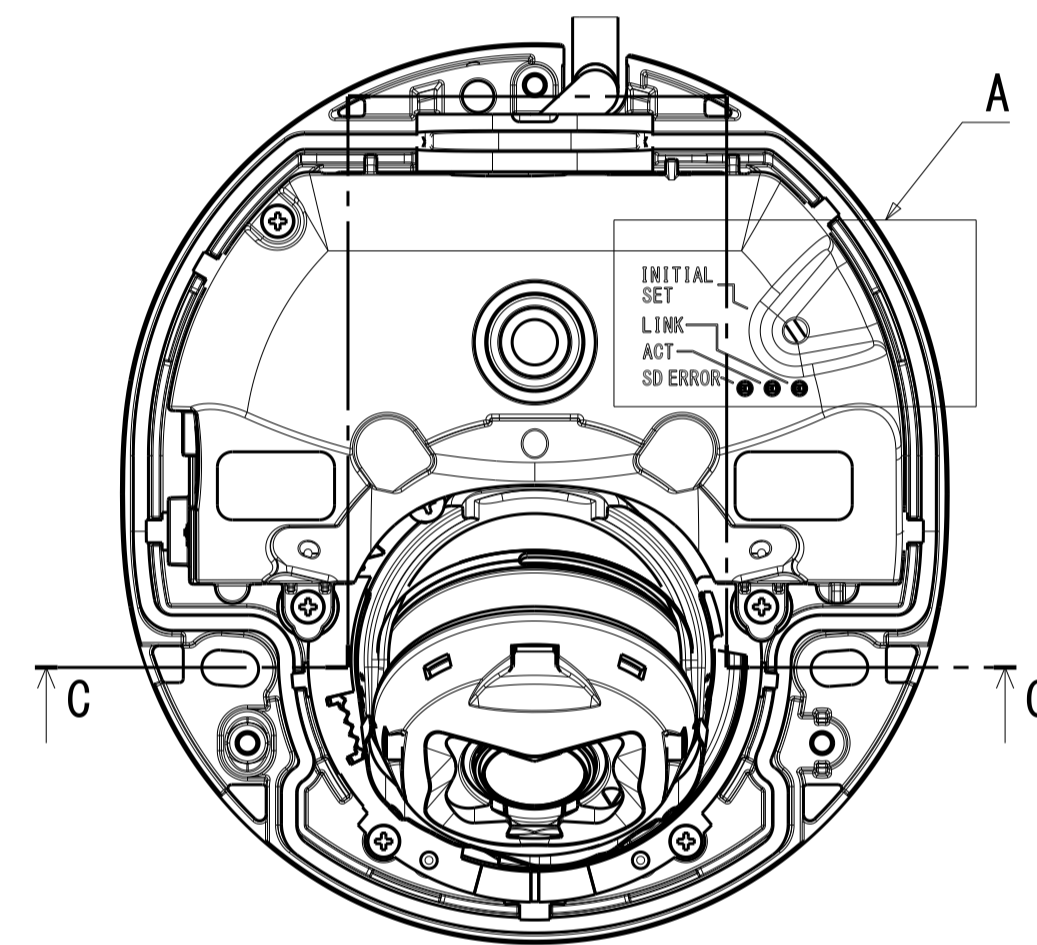
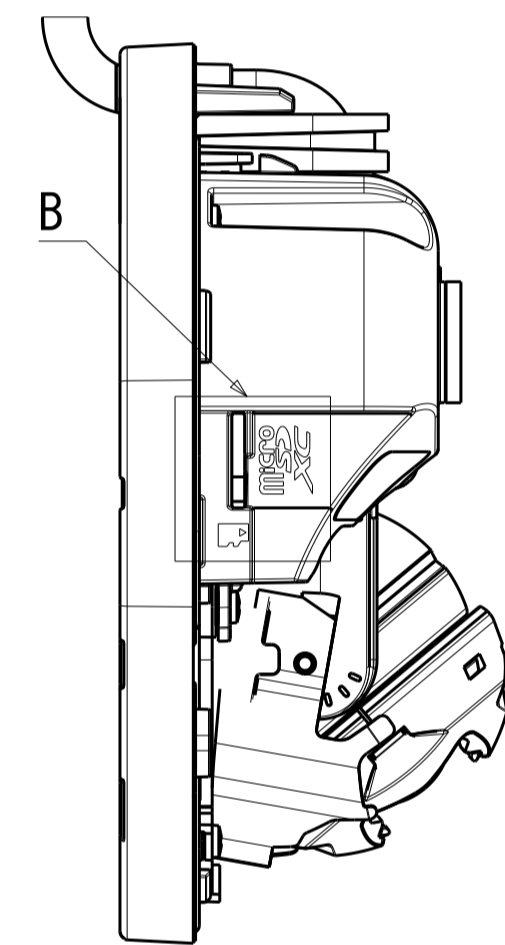
Unit:mm



Detail B (2:1)

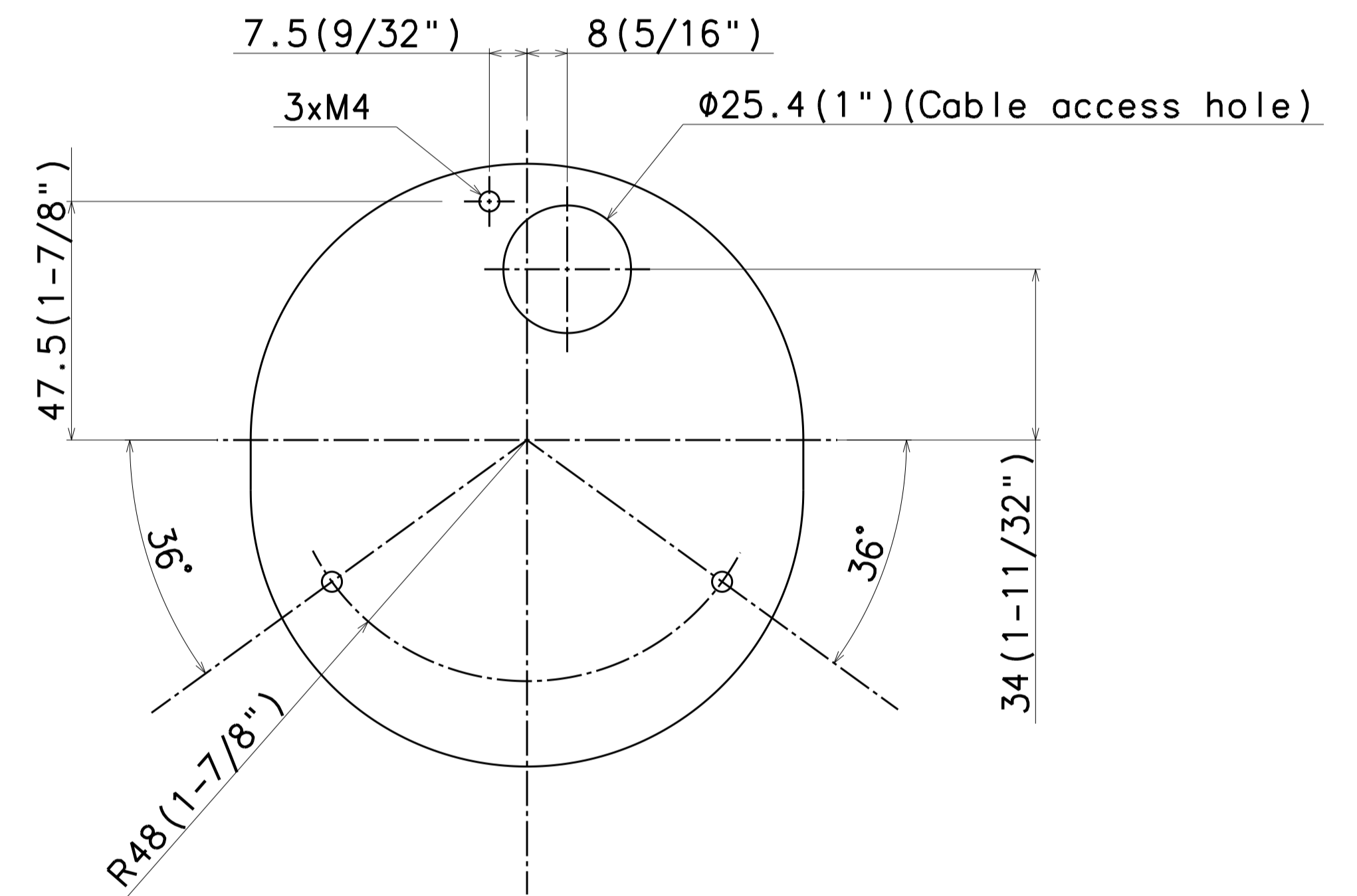


Detail A (2:1)



Sec C-C

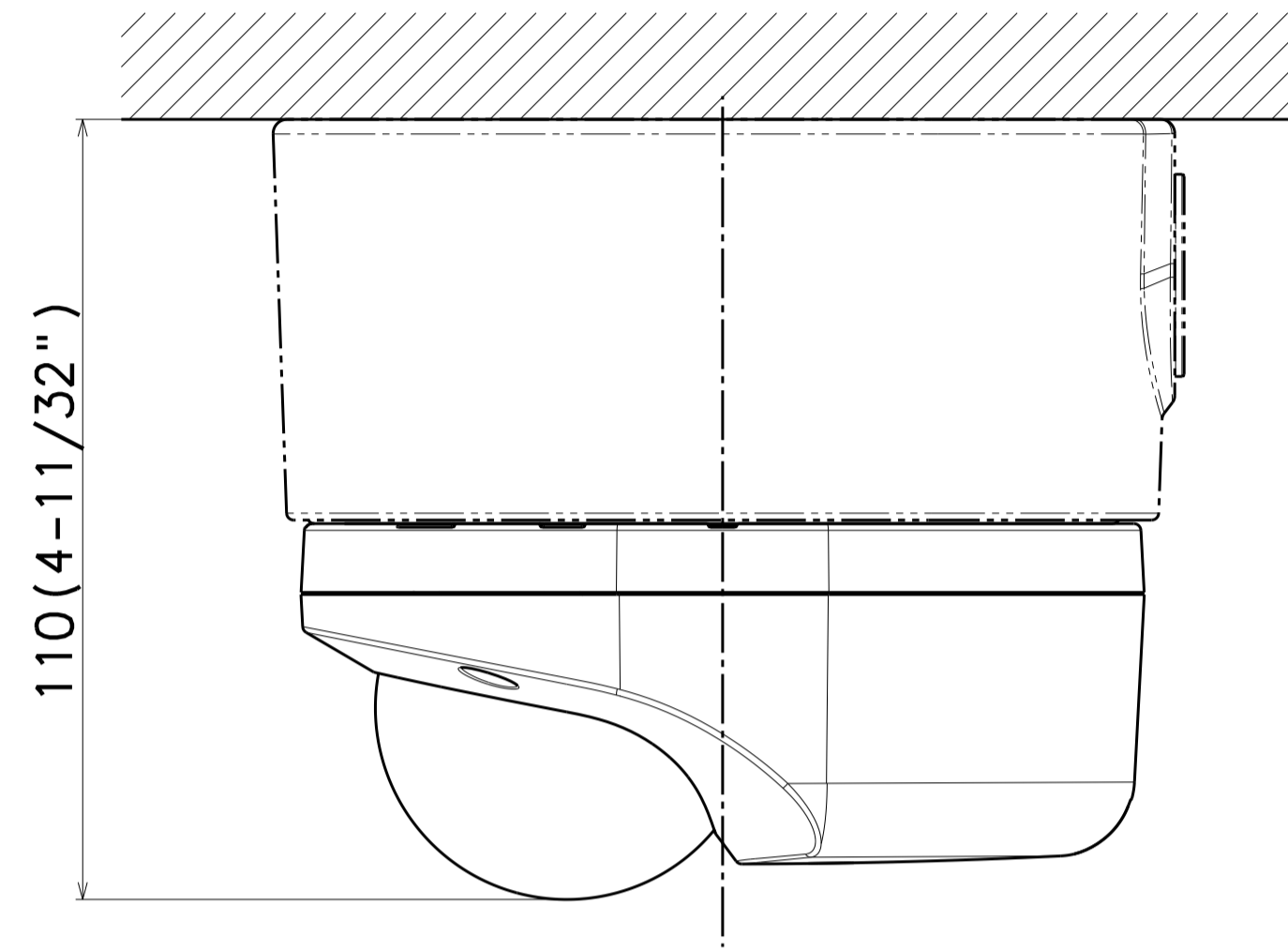
Without Enclosure



Template for mounting

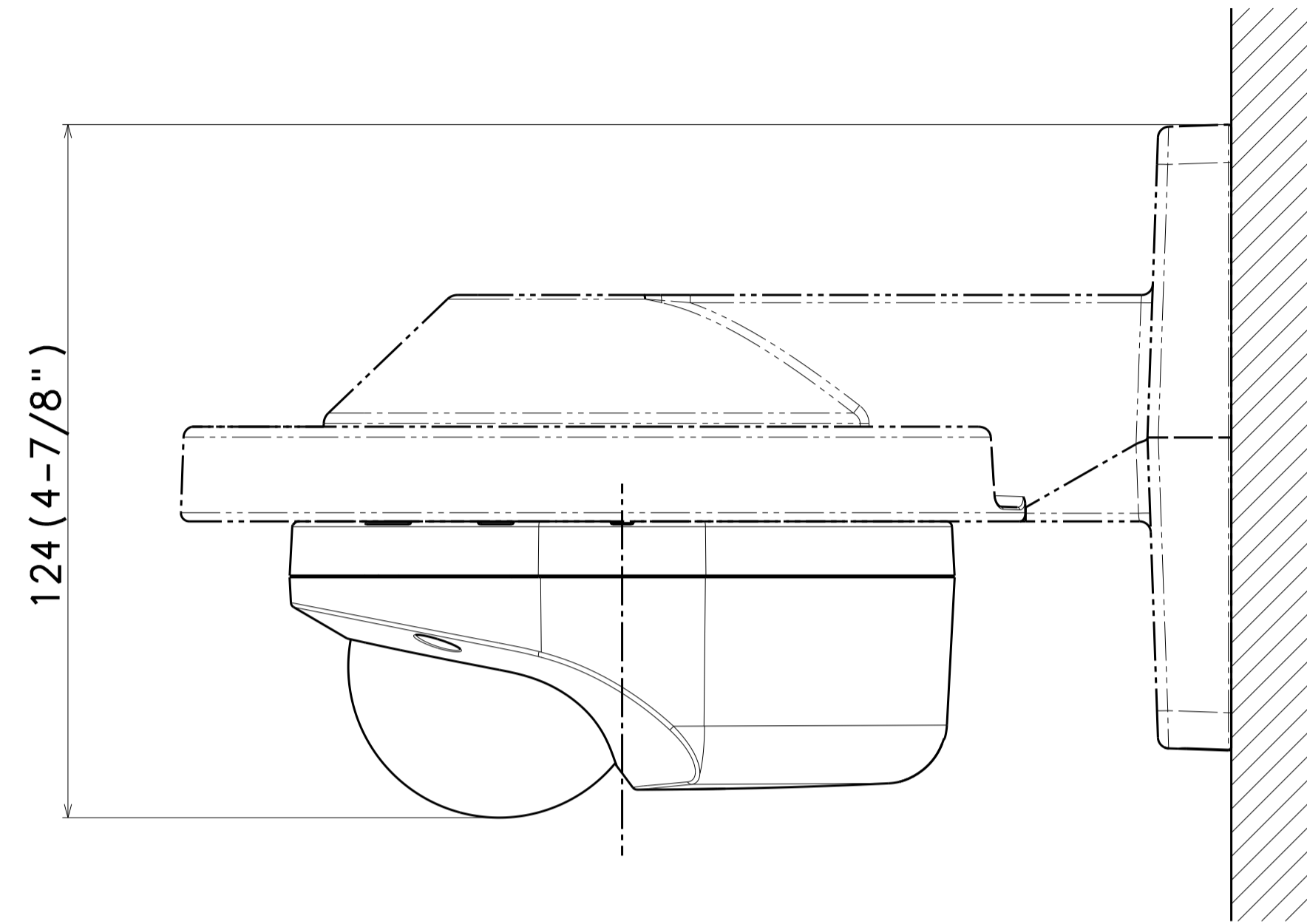
| Model number    |
|-----------------|
| WV-S35302-F2L   |
| WV-S35302-F2LJ  |
| WV-S35302-F2LG  |
| WV-S35302-F2L1  |
| WV-S35302-F2L1J |
| WV-X35302-F2LM  |
| WV-X35302-F2LMJ |
| WV-X35302-F2L   |
| WV-S35402-F2L   |
| WV-S35402-F2LJ  |
| WV-S35402-F2LG  |
| WV-S35402-F2L1  |
| WV-S35402-F2L1J |
| WV-X35402-F2LM  |
| WV-X35402-F2LMJ |
| WV-X35402-F2L   |

金具との組み合わせ例  
Example of combination with bracket



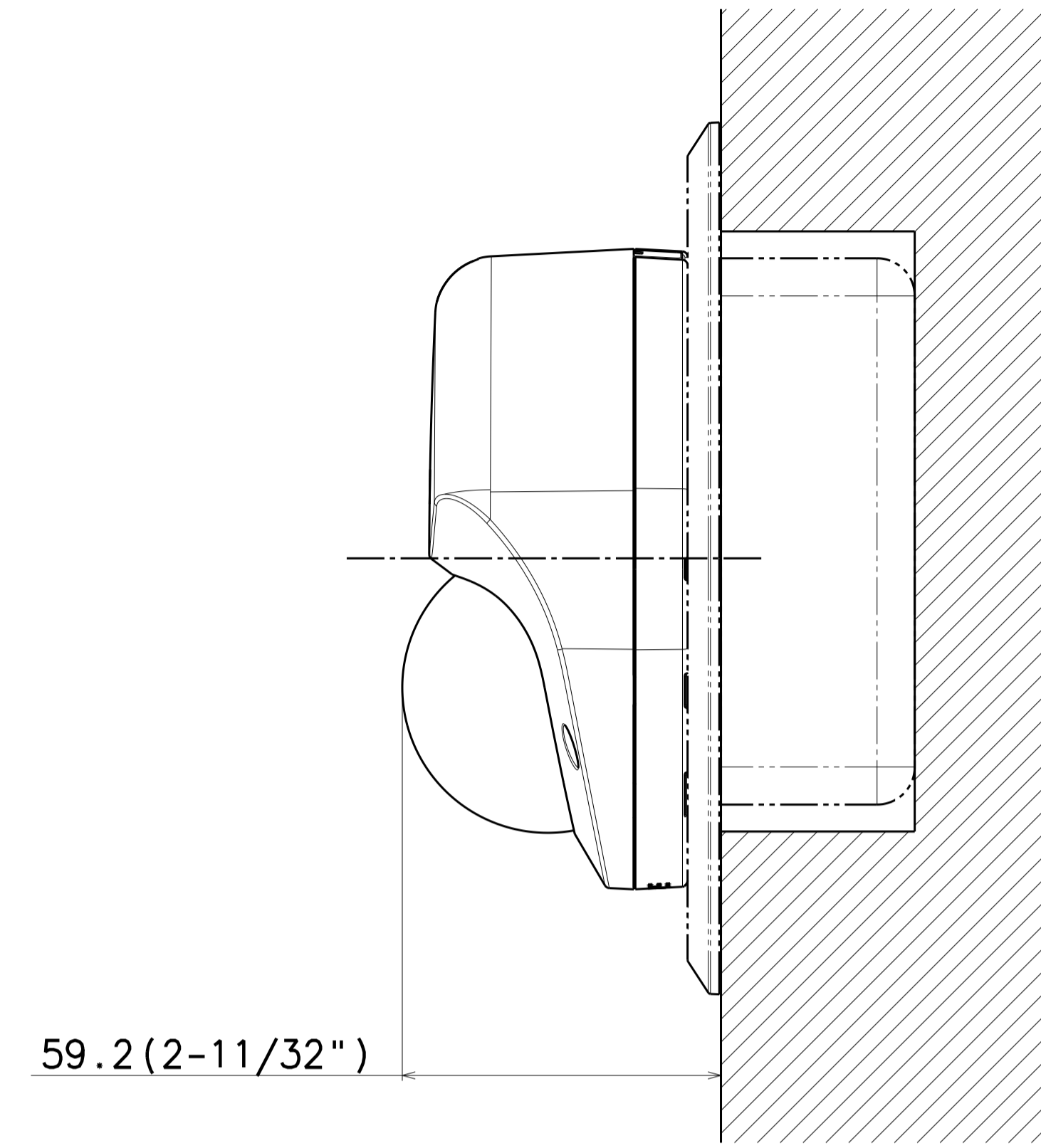
Attach to WV-QJB502A-\*

|               | 投影面積/Projected area     |
|---------------|-------------------------|
| 側面図/Side-view | 0.012 (m <sup>2</sup> ) |



Attach to WV-QWL500-\*\*

|               | 投影面積/Projected area     |
|---------------|-------------------------|
| 側面図/Side-view | 0.013 (m <sup>2</sup> ) |



Attach to WV-QAT502-\* & 2-Gang Box

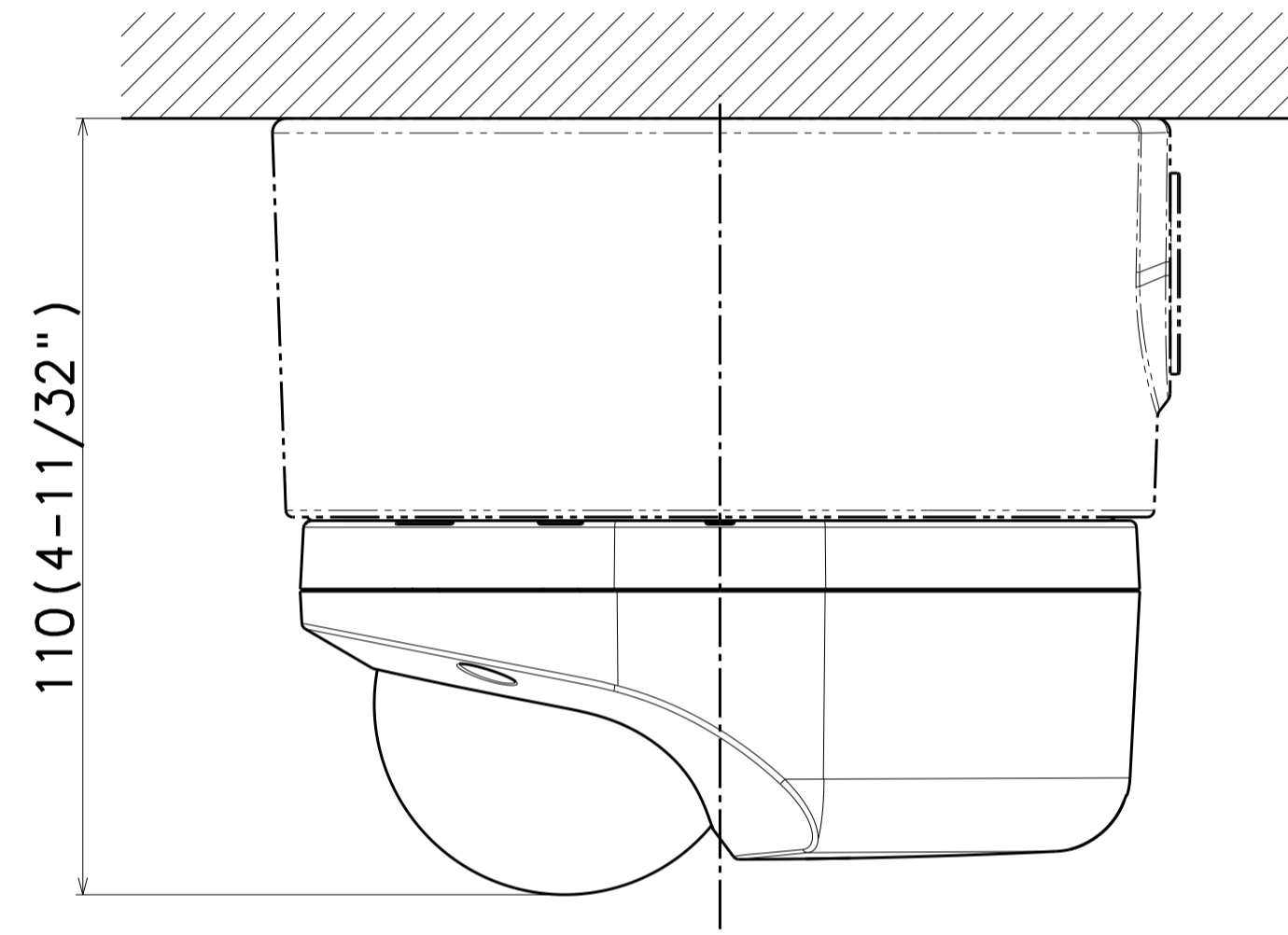
|               | 投影面積/Projected area     |
|---------------|-------------------------|
| 側面図/Side-view | 0.006 (m <sup>2</sup> ) |

| Model number   |
|----------------|
| WV-S35302-F2L  |
| WV-S35302-F2LG |
| WV-S35302-F2L1 |
| WV-S35402-F2L  |
| WV-S35402-F2LG |
| WV-S35402-F2L1 |

Unit:mm

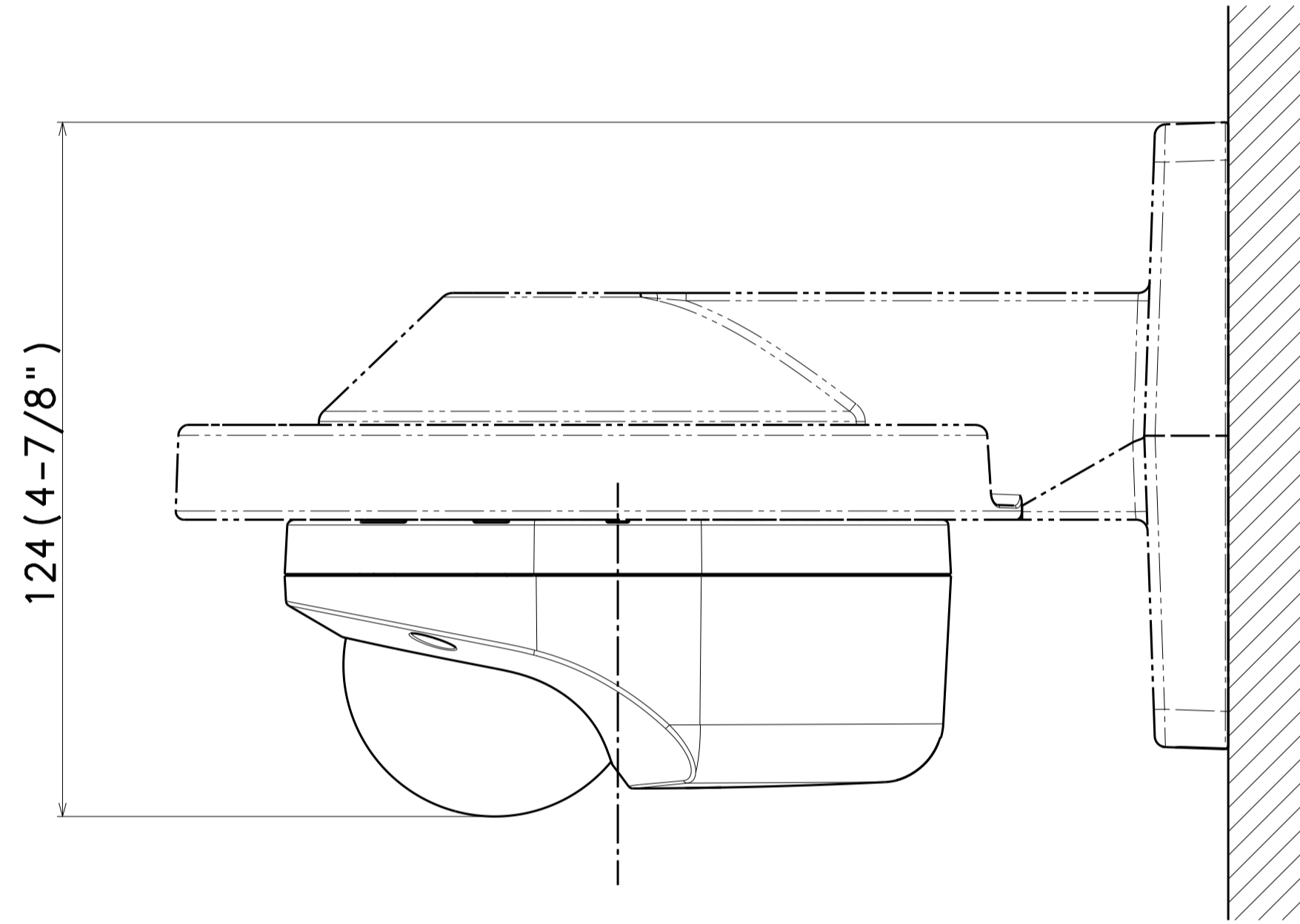
金具との組み合わせ例  
Example of combination with bracket

国内向け  
Domestic



Attach to WV-QJB502A-\*

|               | 投影面積/Projected area     |
|---------------|-------------------------|
| 側面図/Side-view | 0.012 (m <sup>2</sup> ) |



Attach to WV-QWL500-\*\*

|               | 投影面積/Projected area     |
|---------------|-------------------------|
| 側面図/Side-view | 0.013 (m <sup>2</sup> ) |

| Model number    |
|-----------------|
| WV-S35302-F2LJ  |
| WV-S35302-F2L1J |
| WV-S35402-F2LJ  |
| WV-S35402-F2L1J |

Unit:mm

