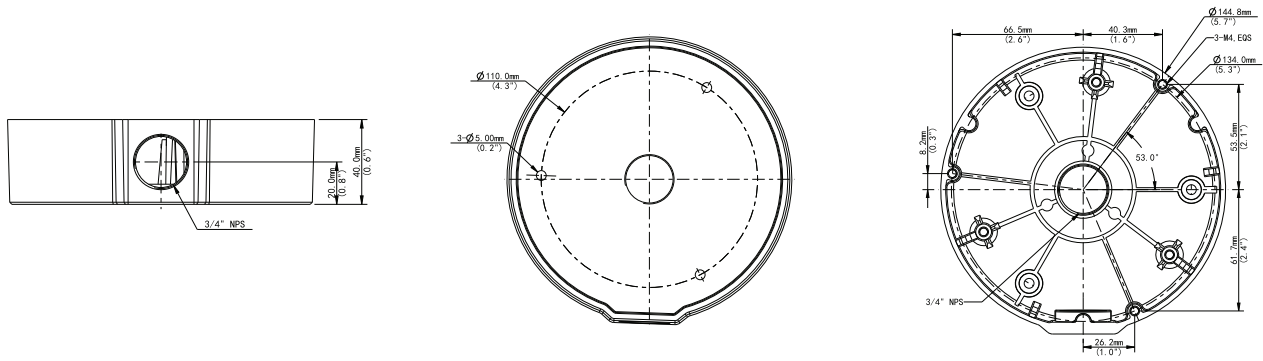




## Technical Specifications

Application	Junction box for fixed dome
Dimensions	$\Phi 144.8\text{mm} \times 40\text{mm}$ (5.70" x 1.57")
Weight	0.3kg (0.66lb)
Material	Aluminum alloy

## Dimensions



R010422 | Product specifications and availability are subject to change without notice.

© i-PRO Co., Ltd. All Rights Reserved. i-PRO, Viewnetcam.com, Advidia, VideoInsight, CloUDE, and Unified Digital Evidence are registered trademarks or trademarks of i-PRO Co., Ltd. or i-PRO Americas Inc. in various jurisdictions. All other trademarks are the property of their respective owners.