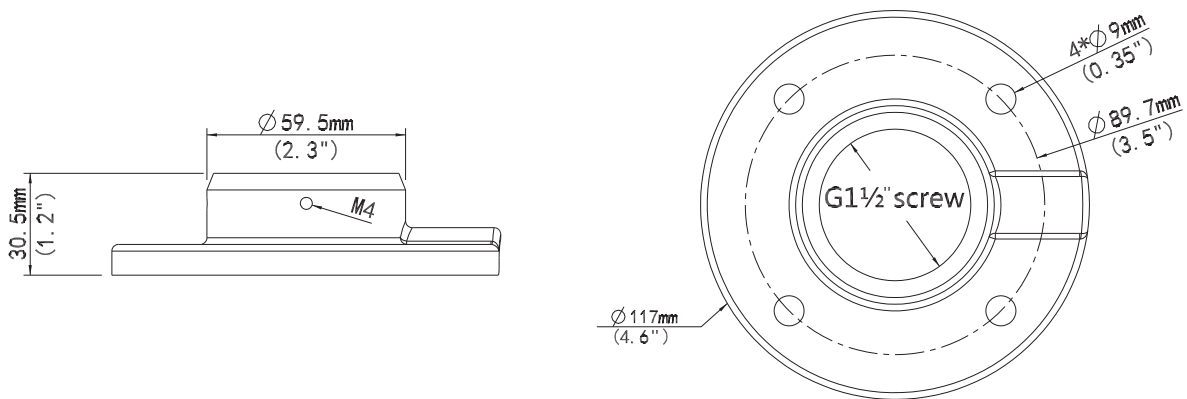




## Technical Specifications

Application	Indoor, PTZ dome pendant installation
Dimensions	Φ116mm x 30.5mm (Φ4.6" x 1.2")
Weight	0.3kg (0.66lb)
Material	Aluminum alloy

## Dimensions



R010422 | Product specifications and availability are subject to change without notice.

© i-PRO Co., Ltd. All Rights Reserved. i-PRO, Viewnetcam.com, Advitia, VideoInsight, CloUDE, and Unified Digital Evidence are registered trademarks or trademarks of i-PRO Co., Ltd. or i-PRO Americas Inc. in various jurisdictions. All other trademarks are the property of their respective owners.