

WV-U2142LA

4MP Varifocal Lens Indoor Dome Network Camera

New U-series compact network camera with enhanced functions and affordability

The new U series is an entry model that achieves high quality and reliability at an affordable price to meet the needs of a wide range of customers.



- 2688×1520 pixel image up to 30fps
- 2.5x built-in motorized zoom and motorized focus lens
- iA (intelligent Auto)
- Super Dynamic 102dB
- Color night vision (0.019 to 0.3 lx)
- H.265 Smart Coding
- Corridor mode (90 degrees or 270 degrees in image rotation)
- Built-in IR LED
- NDAA Compliant



SPECIFICATIONS

Camera	
Image Sensor	Approx. 1/2.7 type CMOS image sensor
Minimum Illumination	Color : 0.3 lx, BW : 0.12 lx (50IRE, F2.0, Maximum shutter : Off (1/30s), AGC : 11) BW : 0 lx (50IRE, F2.0, Maximum shutter : Off (1/30 s), AGC : 11, when the IR LED is lit) Color : 0.019 lx, BW : 0.0075 lx (50IRE, F2.0, Maximum shutter : max. 16/30s, AGC : 11)
White Balance	AWC (2,000 - 10,000 K), ATW1 (2,700 - 6,000 K), ATW2 (2,000 - 6,000 K)
Maximum Shutter	Max. 1/10000 s to Max. 16/30 s
Intelligent Auto	On / Off
Super Dynamic	On / Off, the level can be set in the range of 0 to 31.
Dynamic Range	Max. 102 dB (Super Dynamic : On, Level: 31)
Adaptive Black Stretch	—
Back Light Compensation/High Light Compensation	BLC (Back light compensation) / HLC (High light compensation) / Off (only when Super dynamic / Intelligent Auto : Off)
Fog Compensation	On/ Off, The level can be set in the range of 0 to 8. (only when Intelligent auto / auto contrast adjust: Off)
Maximum Gain (AGC)	The level can be set in the range of 0 to 11.
Color/BW (ICR)	Off / On (IR Light Off) / On (IR Light On) / Auto1 (IR Light Off) / Auto2 (IR Light On) / Auto3 (SCC)
IR LED Light	High / Middle / Low / Off, Maximum irradiation distance : 20 m {Approx. 65 ft}
Digital Noise Reduction	The level can be set in the range of 0 to 255.
Video Motion Detection (VMD)	On / Off, 4 areas available
Scene Change Detection(SCD)	On / Off, 1 areas available
Privacy Zone	On / Off (up to 8 zones available)
Image Rotation	0° (Off) / 90° / 180° (Upside-down) / 270°
Camera Title (OSD)	On / Off, Up to 20 characters (alphanumeric characters, marks)
Lens	
Focal Length	2.9 mm – 7.3 mm{1/8inches-9/32inches}
Zoom ratio	2.5x Optical zoom (Motorized zoom / Motorized focus) 3.3x FHD Extra Optical Zoom (when resolution is 1920x1080)
Digital (electronic) zoom	Choose from 3 levels of x1, x2, x4
Angular Field of View	[16 : 9 mode] *[4:3 mode] is not supported. Horizontal : 44° (TELE) – 102° (WIDE) Vertical : 25° (TELE) – 57° (WIDE)
Maximum Aperture Ratio	1 : 2.0 (WIDE) – 1 : 3.0 (TELE)
Focusing Range	1 m {39-3/8 inches} – ∞
DORI	
Detect (25ppm / 8ppf)	Wide: 41.5 m /136.0 ft, Tele: 126.7 m / 415.8 ft
Observe (62.5ppm / 19ppf)	Wide: 16.6 m / 54.4 ft, Tele: 50.7 m / 166.3 ft

Recognize (125ppm / 38ppf)	Wide: 8.3 m / 27.2 ft, Tele: 25.3 m / 83.2 ft
Identify (250ppm / 76ppf)	Wide: 4.1 m / 13.6 ft, Tele: 12.7 m / 41.6 ft
Adjusting Angle	
Adjusting Angle	Horizontal (PAN) angle: $\pm 180^\circ$, Vertical (TILT) angle: $-30^\circ - +85^\circ$ Azimuth (YAW) angle: $\pm 100^\circ$
Browser GUI	
Camera Control	Brightness
GUI / Setup Menu Language	English, Italian, French, German, Spanish, Portuguese, Russian, Chinese, Japanese
Network	
Network IF	10Base-T / 100Base-TX, RJ45 connector
Resolution H.265/H.264	[16:9 mode(2688x1520 30fps mode)], [16:9 mode(2688x1520 25fps mode)] 2688x1520, 1920x1080, 640x360, 320x180 [16:9 mode(30fps mode)], [16:9 mode(25fps mode)] 2560x1440, 1920x1080, 640x360, 320x180 *[4:3 mode] is not supported.
H.265/H.264	[Transmission Mode] Constant bit rate / VBR / Frame rate / Best effort [Transmission Type] Unicast / Multicast [Max. frame rate foreach stream] Stream(1) 2688x1520(30fps) 2560x1440(30fps) 1920x1080(30fps) Stream(2) Off 640x360(30fps) 1920x1080(30fps) Stream(3) Off Off 640x360(10fps) JPEG(1) 2560x1440(1fps) 2560x1440(1fps) 2560x1440(1fps) JPEG(2) 1920x1080(1fps) 1920x1080(1fps) 1920x1080(1fps)
JPEG	[Image Quality] 10 steps
Smart Coding	GOP(Group of pictures) control: On(Frame rate control) / On(Advanced) / On(Mid.) / On(Low) / Off *Frame rate control and Advanced are only available with H.265. AUTO VIQS: On / Off
Audio Compression	-
Audio Transmission Mode	-
Supported Protocol	IPv6 : TCP/IP, UDP/IP, HTTP, HTTPS, SSL/TLS, SMTP, DNS, NTP, SNMPv1/v2/v3, DHCPv6, RTP, MLD, ICMP, ARP, IEEE 802.1X, DiffServ, MQTT, LLDP IPv4 : TCP/IP, UDP/IP, HTTP, HTTPS, SSL/TLS, RTSP, RTP, RTP/RTCP, SMTP, DHCP, DNS, DDNS, NTP, SNMPv1/v2/v3, UPnP, IGMP, ICMP, ARP, IEEE 802.1X, DiffServ, MQTT, LLDP
No. of Simultaneous Users	Up to 14 users (Depends on network conditions)
SDXC/SDHC/SD Memory Card (Option)	H.265/H.264 recording: Manual REC / Alarm REC (Pre/Post) / Schedule REC Compatible SDXC/SDHC/SD Memory Card : microSDXC memory card: 64 GB, 128 GB, 256 GB, 512 GB microSDHC memory card: 4 GB, 8 GB, 16 GB, 32 GB microSD memory card: 2 GB

Mobile Terminal Compatibility	iPad, iPhone, Android™ terminals
ONVIF® Profile	G / S / T
Alarm	
Alarm Source	VMD alarm, SCD alarm, Command alarm
Alarm Actions	SDXC/SDHC/SD memory recording, E-mail notification, HTTP alarm notification Indication on browser, TCP alarm notification output
Input/Output	
Monitor Output (for Adjustment)	-
Audio input	-
Audio Output	-
External I/O Terminals	-
General	
Safety	UL (UL60950-1), c-UL (CSA C22.2 No.60950-1), CE, IEC60950-1
EMC	FCC (Part15 ClassA), ICES003 ClassA, EN55032 ClassB, EN55035
Power Source and Power Consumption	PoE (IEEE802.3af compliant) Device : DC48 V 135 mA, Approx. 6.5 W (Class 0 device)
Ambient Operating Temperature	-10 °C to +50 °C (+14 °F to +122 °F) {Power On range: 0 °C to +50 °C (+32°F to +122 °F)}
Ambient Operating Humidity	10 to 90 % (no condensation)
Dimensions	ø129.5 mm x 101 mm (H) {ø5-3/32 inches x 3-31/32 inches (H)} Dome radius 40 mm {1-9/16 inches}
Mass (Approx.)	Approx. 350 g {0.77 lbs}
Finish	Main body : ABS resin, i-PRO white Dome section : Acrylic resin, Clear

NOTES

Important

- Safety Precautions : Carefully read the Basic Information, Installation Guide and Operating Instructions before using this product.
- i-PRO Co., Ltd. cannot be held responsible for the performance of the network and/or other manufacturers' products used on the network.
- Masses and dimensions are approximate.
- Specifications are subject to change without notice.

Trademarks and registered trademarks

- iPad and iPhone are trademarks of Apple Inc., registered in the U.S. and other countries. - Android is a trademark of Google LLC.
- ONVIF is a trademark of ONVIF, Inc.
- All other trademarks identified herein are the property of their respective owners

©i-PRO Co., Ltd All rights reserved / November 2022

OPTIONAL ACCESSORIES

Select a compatible accessory

[Accessory Selector \(i-pro.com\)](http://i-pro.com).



WV-QWL501-W
Mount Bracket



WV-QWL500-W
Mount Bracket



WV-QSR501-W
Mount Bracket



WV-QSR100-W
Sun Shade



WV-QPL500-W
Mount Bracket



WV-QJB500-W
Mount Bracket



WV-QEM100-W
Mount Bracket



WV-QCN500-W
Mount Bracket



WV-QCL501-W
Mount Bracket



WV-QCL101-W
Mount Bracket



WV-QCL100-W
Mount Bracket



WV-QAT501-W
Attachment Pipe
Bracket



WV-QAT500-W
Attachment pipe



WV-Q105A
Mount Bracket



PAPM4W
Pole Mount Bracket

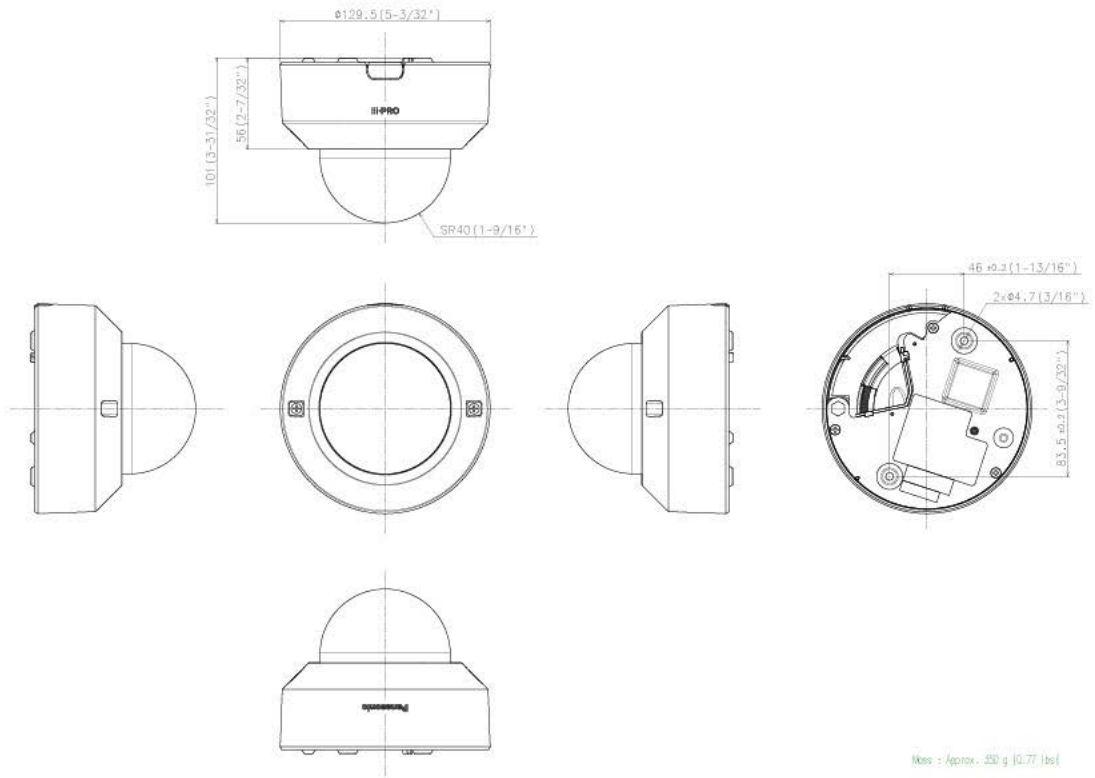


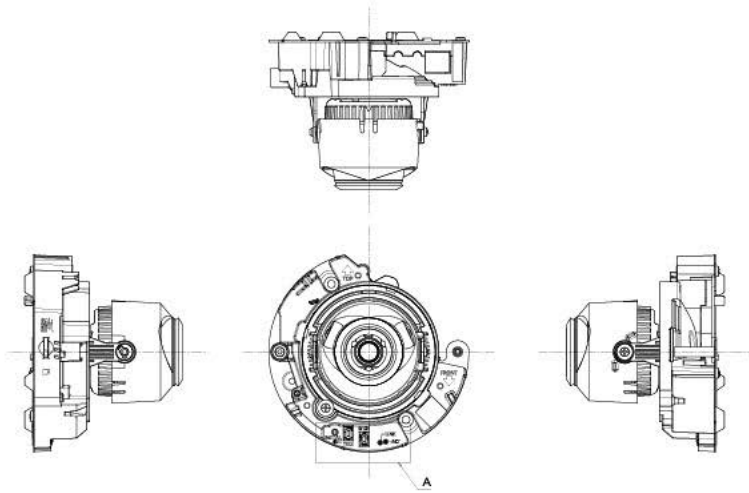
PACA4W
Corner Mount Adapter
Bracket



WV-CF5SA
Dome Cover

APPEARANCE



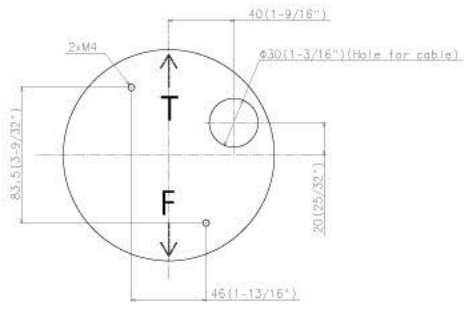


Without Enclosure

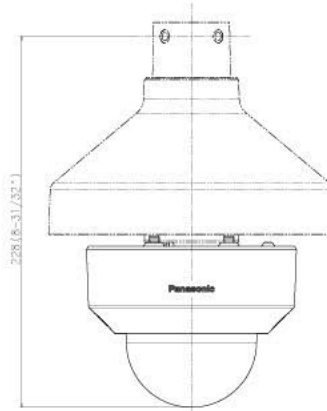


Detail A (2:1)

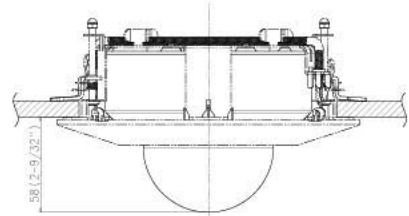
WV-U2142LA



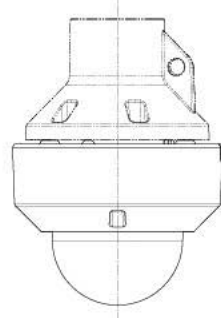
Template for mounting



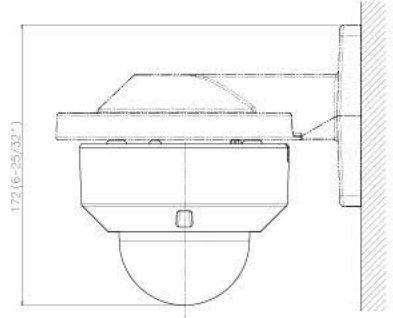
Attach to WV-QSR501-W



Attach to WV-QEM100-W



Attach to WV-QCL100-W



Attach to WV-QWL500-W

WV-U2142LA