

# WV-S2136GA

2MP(1080p) Indoor Dome Network Camera with AI Engine

## S-series 2MP Network camera with AI engine



- 2MP Indoor dome camera
- Up to 2 Edge AI analytic apps
- Built-in FIPS 140-2 Level 3 Certified SecureElement(EdgeLock® SE050F NXP® Semiconductors)
- NDAA Compliant



# SPECIFICATIONS

| Camera  |   |
|---|---|
| Image Sensor                                      | Approx. 1/2.8 type CMOS image sensor  |
| Scanning Area                                     | 5.57 mm (H) × 3.13 mm (V)<br>{7/32 inches (H) × 1/8 inches (V)}   |
| Minimum Illumination                              | Color : 0.018 lx (30IRE, F1.3, 1/30s) /Color : 0.025 lx (50IRE, F1.3, 1/30s)<br>BW : 0.017 lx (50IRE, F1.3, 1/30s)  |
| White Balance                                     | ATW1 / ATW2 / AWC   |
| Shutter Speed                                     | [60 fps Mode] 1/60 Fix to 1/10000 Fix, [30fps/15fps mode] 1/30 Fix to 1/10000 Fix<br>[50 fps Mode] 1/50 Fix to 1/10000 Fix, [25fps/12.5fps mode] 1/25 Fix to 1/10000 Fix  |
| i-PRO Intelligent Auto                            | On / Off  |
| i-PRO Super Dynamic*3                             | On / Off, The level can be set in the range of 0 to 31.   |
| Dynamic Range                                     | Max.144 dB<br>(Super Dynamic : On, Level 31)  |
| Adaptive Black Stretch                            | The level can be set in the range of 0 to 255.  |
| Back light compensation / High light compensation | BLC (Back light compensation) / HLC (High light compensation) /Off (only when Super dynamic / Intelligent Auto : Off)   |
| Fog Compensation                                  | On / Off<br>(only when Intelligent auto / auto contrast adjust : Off)   |
| Maximum Gain (AGC)                                | The level can be set in the range of 0 to 11.   |
| Color/BW (ICR)                                    | Off / On / Auto1 (Normal) / Auto2 (IR Light) / Auto3 (SCC)  |
| Digital Noise Reduction (DNR)                     | The level can be set in the range of 0 to 255.  |
| Video Motion Detection (VMD)                      | On / Off, 4 areas available   |
| Scene Change Detection                            | On / Off, 1 areas available   |
| Audio Detection                                   | On / Off  |
| AI Sound classification                           | Gunshot, Yell, Vehicle horn, Glass break  |
| AI Analytics                                      | AI Video Motion Detection, AI Privacy Guard, AI Face Detection, AI People Detection,<br>AI Vehicle Detection, AI Non mask Detection, AI Occupancy Detection, AI Scene Change Detection<br><br>For details :<br><a href="https://i-pro.com/products_and_solutions/en/surveillance/products/analytics-software">https://i-pro.com/products_and_solutions/en/surveillance/products/analytics-software</a><br>3rd party applications are also available.<br><a href="https://i-pro.com/products_and_solutions/en/surveillance/solutions/edge-ai-platform/application-list">https://i-pro.com/products_and_solutions/en/surveillance/solutions/edge-ai-platform/application-list</a> |
| Privacy Zone                                      | On / Off, Up to 8 zones available   |
| VIQS  | On / Off, Up to 8 zones available   |
| Image rotation*4                                  | 0 ° / 90 ° / 180 ° / 270 °  |
| Camera Title (OSD)                                | On / Off, Up to 40 characters<br>(alphanumeric characters, marks)   |
| Focus Adjustment                                  | Auto focus / Manual   |
| Lens  |   |
| Optical Zoom                                      | 3.1 x (Motorized zoom / Motorized Focus)  |
| Extra zoom  | 3.1x - 9.3x (when resolution is 640 x 360)  |
| Focal Length                                      | 2.9 - 9 mm {1/8 inches - 13/32 inches}  |
| Angular Field of View                             | Horizontal : 36° (TELE) 115° (WIDE), Vertical : 20° (TELE) 61° (WIDE)   |

|                        |                               |
|------------------------|-------------------------------|
| Maximum Aperture Ratio | 1 : 1.3 (WIDE) 1 : 2.5 (TELE) |
| Focusing Range         | 0.3 m {11-13/16 inches} – ∞   |

## DORI

|                            |  |
|----------------------------|--|
| Detect (25ppm / 8ppt)      | Wide: 24.5 m / 80.3 ft, Tele: 118.2 m / 387.7 ft |
| Observe (62.5ppm / 19ppt)  | Wide: 9.8 m / 32.1 ft, Tele: 47.3 m / 155.1 ft   |
| Recognize (125ppm / 38ppt) | Wide: 4.9 m / 16.1 ft, Tele: 23.6 m / 77.5 ft    |
| Identify (250ppm / 76ppt)  | Wide: 2.4 m / 8.0 ft, Tele: 11.8 m / 38.8 ft     |

## System on Chip (SoC)

|                      |                 |
|----------------------|-----------------|
| System on Chip (SoC) | Ambarella CV25M |
|----------------------|-----------------|

## Adjusting Angle

|                 |   |
|-----------------|---|
| Adjusting Angle | Horizontal : -240 to +120°,<br>Vertical : -30 to +85°,<br>Yaw : ±100° |
|-----------------|---|

## Browser GUI

|                           |  |
|---------------------------|--|
| Camera Control            | Brightness, AUX On / Off   |
| Audio                     | Mic (Line) Input : On / Off Volume adjustment : Low / Middle / High<br>Audio Output : On / Off Volume adjustment : Low / Middle / High |
| GUI / Setup Menu Language | English, Italian, French, German, Spanish, Portuguese, Russian, Chinese, Japanese  |

## Network

|                                       |   |
|---------------------------------------|---|
| Network IF                            | 10Base-T / 100Base-TX,<br>RJ45 connector  |
| Resolution H.265/ H.264/ JPEG (MIPEG) | [16:9 mode (60 fps mode)], [16:9 mode (30 fps mode)], [16:9 mode (50 fps mode)], [16:9 mode (25 fps mode)] : 1920x1080, 1280x720, 640x360, 320x180<br>[4:3 mode (30 fps mode)], [4:3 mode (25 fps mode)] : 1280x960, VGA, QVGA<br>[4:3 mode (15 fps mode)], [4:3 mode (12.5 fps mode)] : 2048x1536, 1280x960, VGA, QVGA   |
| JPEG - Image Quality                  | 10 steps  |
| i-PRO Smart Coding                    | GOP (Group of pictures control):<br>Off/ Low (Variable GOP 1s-8s)/ Mid (Variable GOP 4s-16s)/ Advanced(Fixed GOP 60s w/1s key-frame) /<br>Frame rate control (Variable GOP 4s-16s with frame rate control)<br>*Advanced and Frame rate control are only available with H.265.<br>Smart VIQS: On(High)/On(Low)/Off, Smart P-picture control: On/Off                                  |
| Audio Compression                     | G.726 (ADPCM) : 16 kbps / 32 kbps ,<br>G.711 : 64 kbps ,<br>AAC-LC : 64 kbps / 96 kbps / 128 kbps   |
| Audio Transmission Mode               | Off / Mic (Line) input / Audio output / Interactive (Half duplex) /Interactive (Full duplex)  |
| Supported Protocol                    | IPv6 : TCP/IP, UDP/IP, HTTP, HTTPS, SSL/TLS, SMTP, DNS, NTP, SNMPv1/v2/v3, DHCPv6, RTP, MLD, ICMP, ARP, IEEE 802.1X, DiffServ, FTP, SFTP, MQTT, LLDP<br>IPv4 : TCP/IP, UDP/IP, HTTP, HTTPS, SSL/TLS, RTSP, RTP, RTP/RTCP, SMTP, DHCP, DNS, DDNS, NTP, SNMPv1/v2/v3, UPnP, IGMP, ICMP, ARP, IEEE 802.1X, DiffServ, SRTP, FTP, SFTP, MQTT, LLDP                                       |
| No. of Simultaneous Users             | Up to 14 users (Depends on network conditions)  |
| Secure                                | FIPS 140-2 Level 3 (NXP® EdgeLock® SE050F), Device Certificate GlobalSign® pre-installed, HTTPS, User authentication, Digest authentication, Host authentication, IEEE802.1X, System log, Image transmission log, Brute-force protection, Alteration detection  |
| SDXC/SDHC/SD Memory Card (Option)     | H.265 / H.264 recording :<br>Manual REC / Alarm REC (Pre/Post) / Schedule REC / Backup upon network failure<br>JPEG recording : Manual REC / Alarm REC (Pre/Post) / Backup upon network failure<br><br>Available SDXC/SDHC/SD Memory Card :<br>microSDXC memory card: 64 GB, 128 GB, 256 GB, 512 GB<br>microSDHC memory card: 4 GB, 8 GB, 16 GB, 32 GB<br>microSD memory card: 2 GB |
| Mobile Terminal Compatibility         | iPad, iPhone, Android™ terminals  |
| ONVIF® Profile                        | G / M / S / T   |

| Alarm         |  |
|---------------|--|
| Alarm Source  | 3 terminals input, VMD alarm, Command alarm, Audio detection alarm   |
| Alarm Actions | SDXC/SDHC/SD memory recording, E-mail notification, HTTP alarm notification Indication on browser, Panasonic alarm protocol output |

| Input/Output                    |  |
|---------------------------------|--|
| Monitor Output (for Adjustment) | VBS : 1.0 V [p-p] / 75 $\Omega$ , composite, Pin jack / An NTSC or PAL signal can be outputted from camera                   |
| Audio Input                     | 3.5 mm stereo mini jack  |
| Audio Output                    | 3.5 mm stereo mini jack (monaural output)<br>Output impedance : Approx. 600 $\Omega$ (unbalanced) , Output level : 20 dBV    |
| External I/O Terminals (Cable)  | ALARM IN 1 (Black & white input, Auto time adjustment input) (x1),<br>ALARM IN 2 (ALARM OUT) (x1), ALARM IN 3 (AUX OUT) (x1) |

| General                                       |  |
|---|--|
| General                                       | UL (UL62368-1), c-UL (CSA C22.2 No.62368-1), CE, IEC62368-1  |
| EMC   | FCC (Part15 ClassA), ICES-003 ClassA, EN55032 ClassB, EN55035  |
| Power Source and Power Consumption            | DC power supply : DC12 V 410 mA, Approx. 4.9 W<br>PoE (IEEE802.3af compliant) Device : DC48 V 110 mA, Approx. 5.3 W (Class 2 device) |
| Ambient Operating Temperature (AV-HS450C1N/E) | -10 °C to +50 °C (14 °F to 122 °F)   |
| Ambient Operating Humidity                    | 10 to 90 % (no condensation)   |
| Dimensions                                    | 129.5 mm x 101 mm (H) { 5-3/32 inches x 3-31/32 inches (H) }<br>Dome radius 40 mm {1-9/16 inches}                                    |
| Mass (Approx.)                                | Approx. 470 g {1.04 lbs.}  |
| Finish  | Main body : ABS resin, i-PRO white / Dome section : Acrylic resin, Clear   |

## NOTES

### Important

- Safety Precautions : Carefully read the Basic Information, Installation Guide and Operating Instructions before using this product.
- i-PRO Co., Ltd. cannot be held responsible for the performance of the network and/or other manufacturers' products used on the network.
- Masses and dimensions are approximate.
- Specifications are subject to change without notice.

### Trademarks and registered trademarks

- iPad and iPhone are trademarks of Apple Inc., registered in the U.S. and other countries. - Android is a trademark of Google LLC.
- ONVIF is a trademark of ONVIF, Inc.
- All other trademarks identified herein are the property of their respective owners

©i-PRO Co., Ltd All rights reserved / March 2023

## OPTIONAL ACCESSORIES

Select a compatible accessory

[Accessory Selector \(i-pro.com\)](http://i-pro.com).



WV-QWL501-W  
Mount Bracket



WV-QWL500-W  
Mount Bracket



WV-QSR501-W  
Mount Bracket



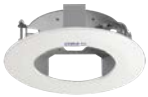
WV-QSR100-W  
Sun Shade



WV-QPL500-W  
Mount Bracket



WV-QJB500-W  
Mount Bracket



WV-QEM100-W  
Mount Bracket



WV-QCN500-W  
Mount Bracket



WV-QCL501-W  
Mount Bracket



WV-QCL101-W  
Mount Bracket



WV-QCL100-W  
Mount Bracket



WV-QAT501-W  
Attachment Pipe  
Bracket



WV-QAT500-W  
Attachment pipe



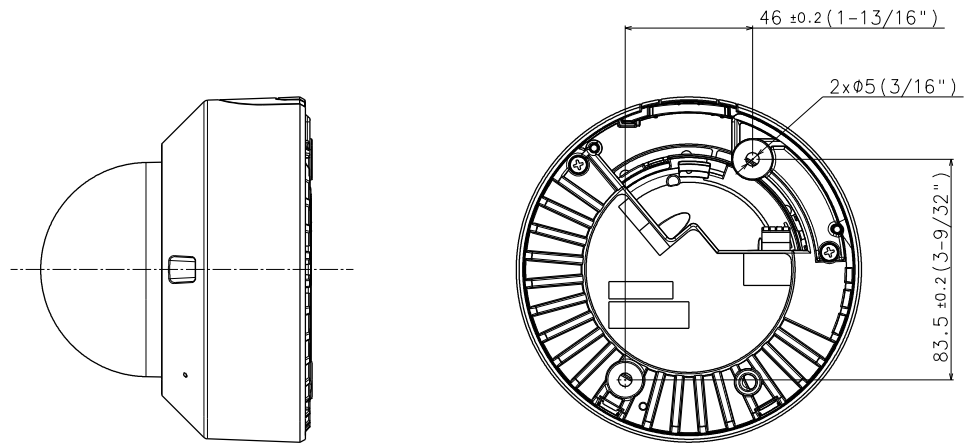
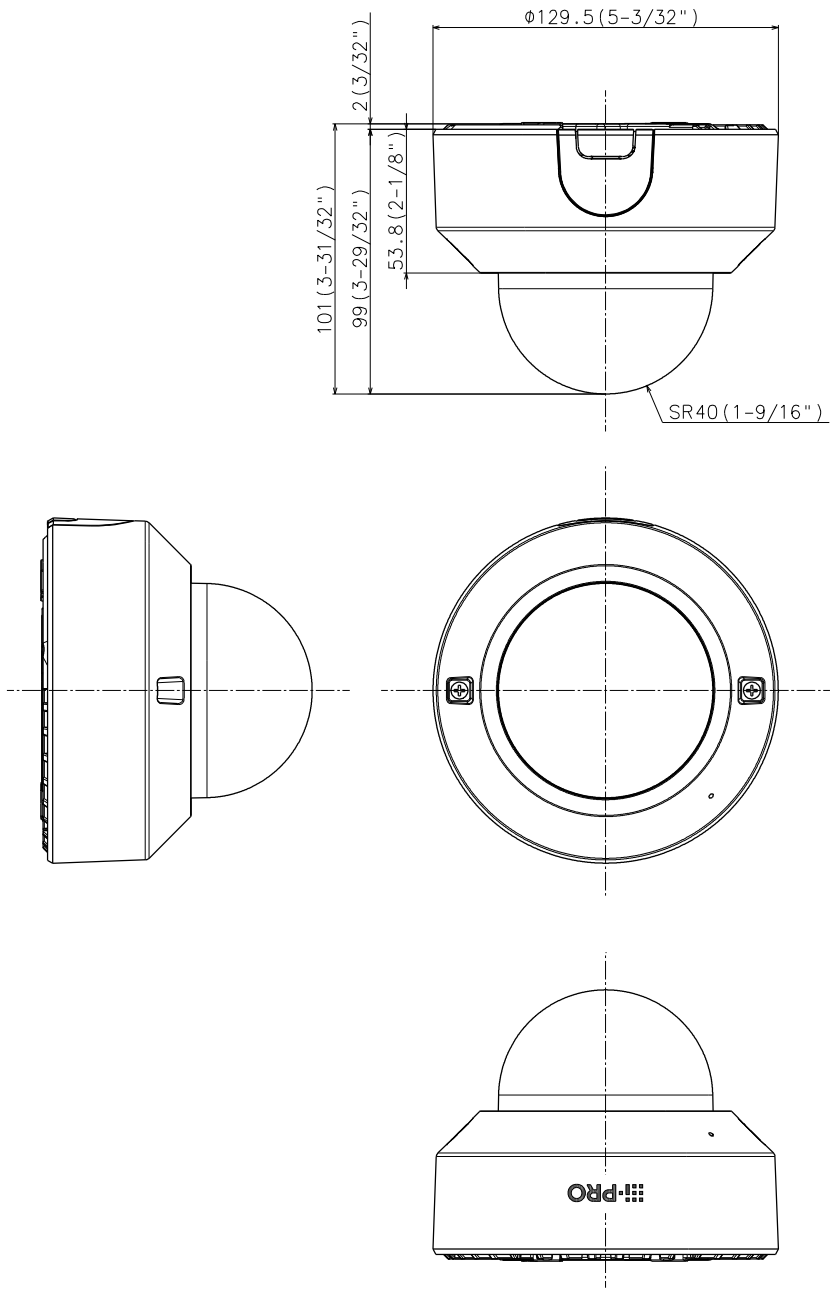
WV-Q105A  
Mount Bracket



WV-CF55A  
Dome Cover



WV-PM500  
Compact microphone  
unit for surveillance  
cameras



Mass : Approx. 470 g {1.04 lbs}