

Manufactured for:

# i-PRO



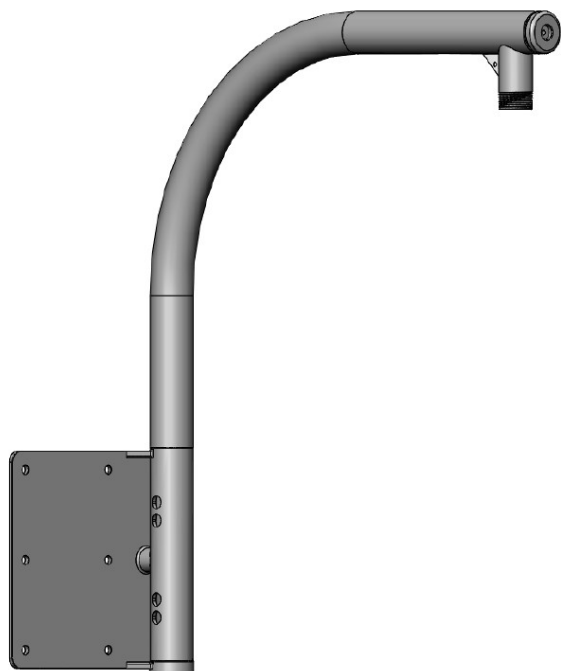
## INSTALLATION INSTRUCTIONS

Before attempting to connect or operate this product, please read instructions completely. Installation and Operation Instructions for the following model:

### PPRM35AW

Parapet Mount Bracket for use with i-PRO PS485AW, WV-QSR5xxF1-W, and WV-QAT501-S/W

#### PPRM35AW



- (1) Parapet Mount Base
- (1) Parapet Mount Arm w/ 1.5" NPT Threads
- (1) Parapet Mount Extension
- (1) Hardware Pack



#### INCLUDED HARDWARE

- (6) Stainless Steel Masonry Anchors
- (1) Masonry Drill Bit
- (5) M10 Stainless Steel Bolts
- (2) End Caps (Mounted)
- (4) 3/8" Hex Head Bolts
- (4) 3/8" Flat Washer
- (4) 3/8" Split Washer



## DISTRUBUTED BY

### i-PRO Americas

8550 Fallbrook Drive, Suite 200, Houston, Texas 77064

<https://i-pro.com/us/en/>

## IMPORTANT SAFEGUARDS

1. Read Instructions - All the safety and operating instructions should be read before the unit is operated.
2. Retain Instructions - The safety and operating instructions should be retained for future reference.
3. Heed Warnings - All warnings on the unit and in the operating instructions should be adhered to.
4. Follow Instructions - All operating and user instructions should be followed.
5. Electrical Connections - Only a qualified electrician should make electrical connections.
6. Attachments - Do not use attachments not recommended by the product manufacturer as they may cause hazards.
7. Cable Runs - All cable runs must be within permissible distance.
8. Mounting - This unit must be properly and securely mounted to a supporting structure capable of sustaining the weight of the unit.

Accordingly:

The installation should be made by a qualified installer.

The installation should be in compliance with local codes.

Care should be exercised to select suitable hardware to install the unit, taking into account both the composition of the mounting surface and the weight of the unit.

Be sure to periodically examine the unit and the supporting structure to make sure that the integrity of the installation is intact. Failure to comply with the foregoing could result in the unit separating from the support structure and falling, with resultant damages or injury to anyone or anything struck by the falling unit.

## PRECAUTIONS FOR INSTALLATION

### ■ Do not place this product in the following places:

- Locations where a chemical agent is used such as a swimming pool
- Locations subject to moisture and oil smoke such as a kitchen
- Locations that have a specific environment that is subject to an inflammable atmosphere or solvents
- Locations where a radiation, an X-ray, a strong radio wave or a strong magnetic field is generated
- Locations where corrosive gas is produced, locations where it may be damaged by briny air such as seashores
- Locations where the temperature is not within the specified range (-50 °C to +60 °C {-58 °F to 140 °F})
- Locations subject to vibrations, such as on vehicles, marine vessels, or above product lines (This product is not designed for on-vehicle use.)
- Locations subject to condensation as the result of severe changes in temperature

### ■ Tightening the screws and bolts

- The screws and bolts must be tightened with an appropriate tightening torque according to the material and strength of the installation area.
- Do not use an impact driver. Use of an impact driver may damage the screws or cause tightening excessively.

## TECHNICAL SUPPORT

For Technical Support

<https://surveillance.i-pro.com/support/>

1-800-513-5417

(M-F 7:00 am—7:00 pm Central Time)

### **Installation area for this product:**

- Make sure that the installation area is strong enough to hold the total weight of the camera and mount assembly before installation.

### **Tools needed for installation:**

- Hammer
- Drill
- 12" Level
- Adjustable Wrench or 3/8" Hex Head Socket

## **1 MOUNT PARAPET BASE TO PARAPET**

1. Locate desired location of Parapet Mount
2. Mark mounting hole locations with a marking device
3. Place Parapet Mount Base to the side
4. Drill (6) pilot holes using masonry bit included in hardware pack.
5. Use a level to verify Parapet Mount Base in level
6. Use hammer to tap (6) masonry anchors through Parapet Mount Base mounting holes as shown in Figure 1
7. Use drill or adjustable wrench to tighten bolt to allow sleeve to expand inside the pilot hole.

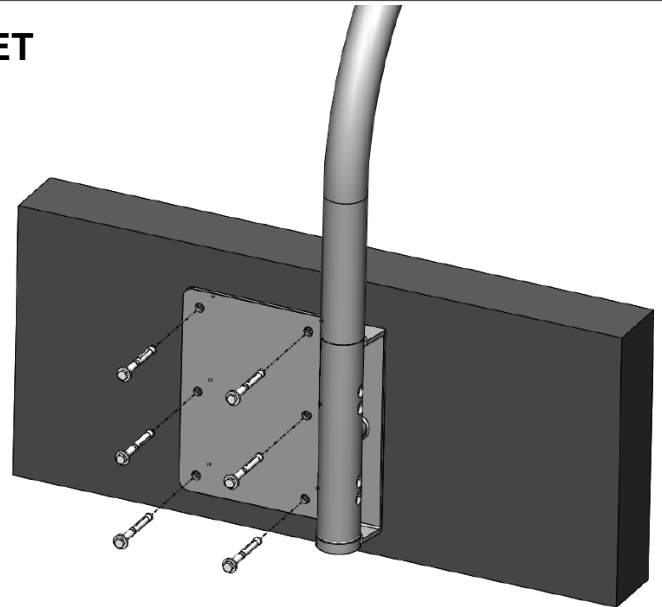


Figure 1

## **2 MOUNT PARAPET ARM TO PARAPET BASE**

1. Place Parapet Mount Arm into Parapet Mount Base and align holes to desired angle. (Figure 2)
2. Use (2) M10 bolts to firmly tighten Base and Arm together and securely fasten using drill with socket or adjustable wrench (Figure 3).
3. For Extension Arm, Repeat steps 2-1 & 2-2 with (2) M10 Screws.

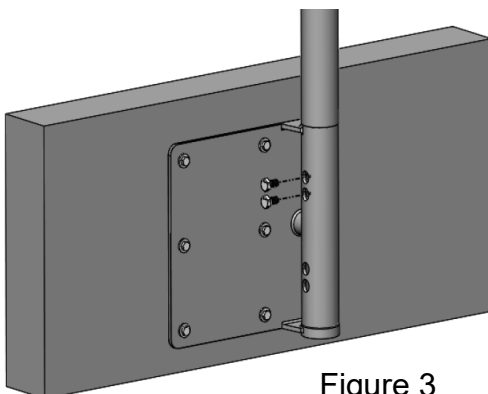


Figure 3



Figure 2

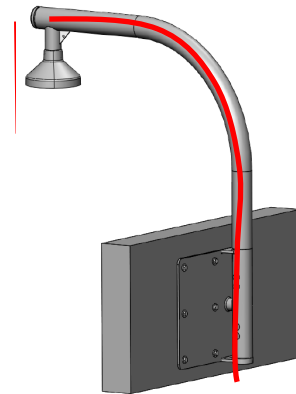
## IMPORTANT

Prepare safety tethers and anchor bolts according to the material and strength of the area where the product is to be installed. The pull-out strength of the anchor bolt shall be more than 5 times of the total weight of the installed devices (including the camera body, ceiling mount, anchor bolts, and all other parts.)

i-PRO Sensing Solutions Corporation of America assumes no responsibility for injuries or property damage resulting from failures arising out of improper installation or operation inconsistent with this documentation.

### 3 PULL CABLE NECESSARY TO POWER CAMERA

1. Pull Cat5 cable through the Parapet Arm and Base to power the i-Pro camera (Not Provided)
2. Verify that cable is not being pinched or exposed to exterior weather.



- ### 4
1. Mount i-Pro camera to mounting holes of shroud (Not Provided)
  2. Screw Shroud onto end of Parapet Mount Arm (Figure 4)
  3. Attached safety wire provided with camera to triangle gusset attached the Parapet Mount Arm. (Red Circle on Figure 4)

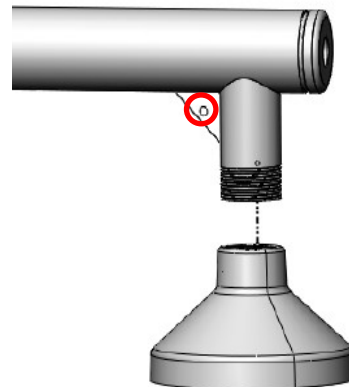


Figure 4

## Compatibility



WV-QSR5xxF1-W



WV-QAT501-S/W



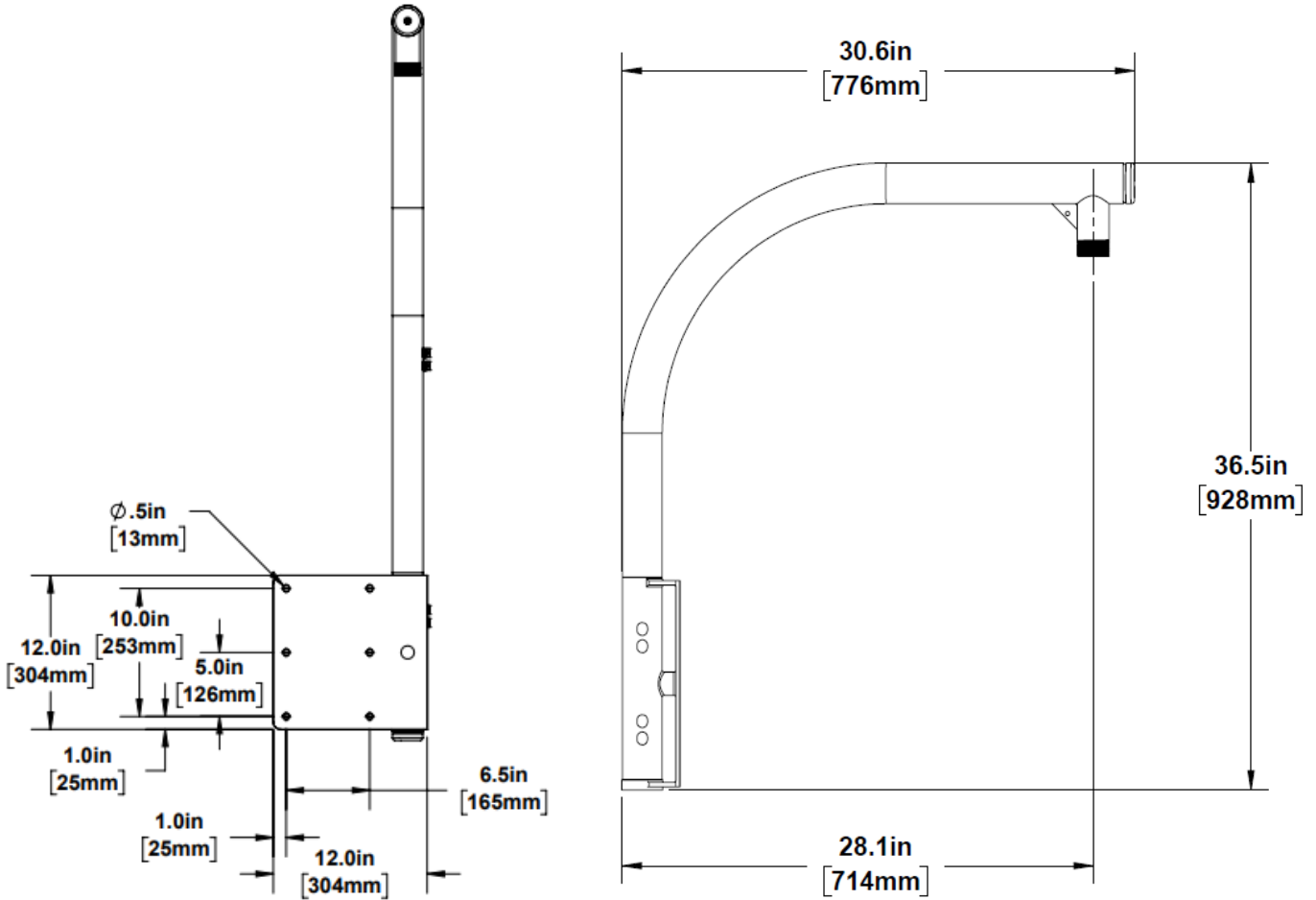
PS485AW

Manufactured for:

# WREN PRO



## 5 FINAL DIMENSIONS & WEIGHT



Approx. Weight: 22lb / 9.98 kg