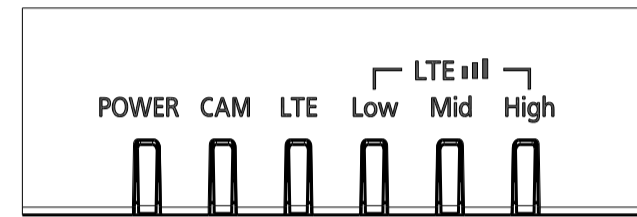
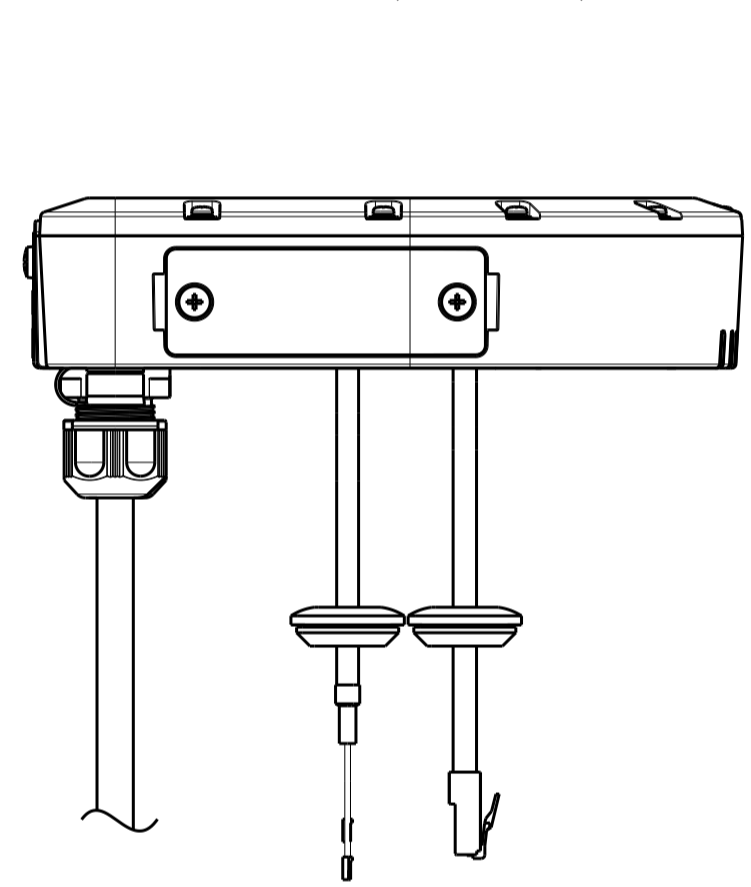
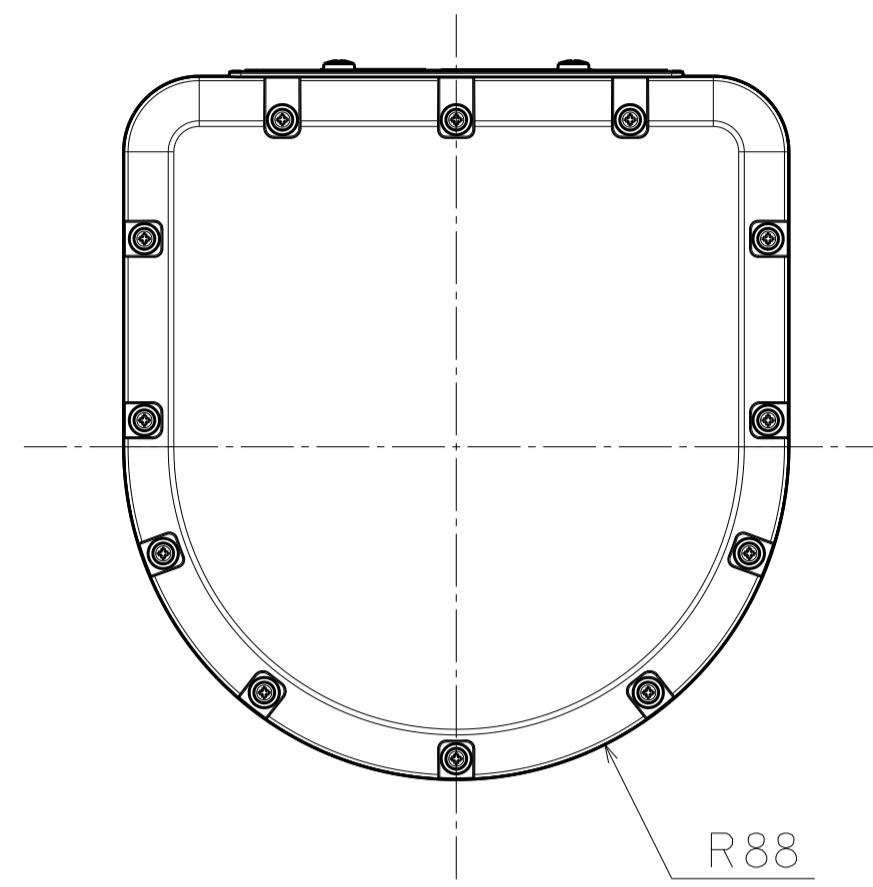


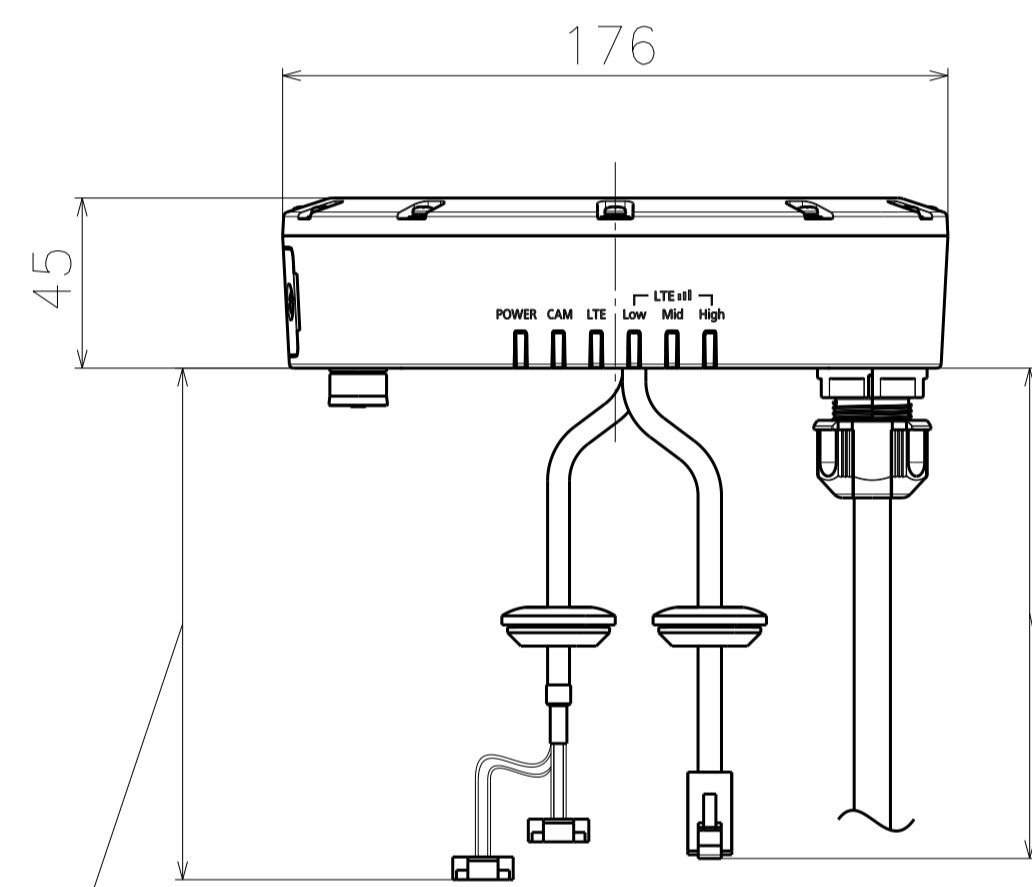
Inside of side cover  
(S=1:1)



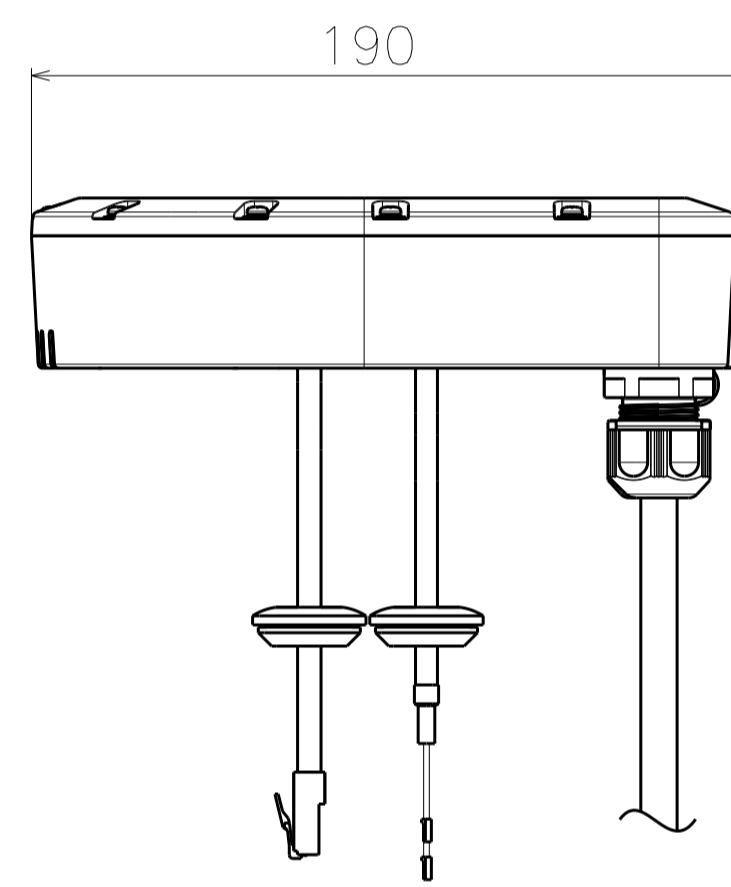
Indicator details  
(S=1:1)



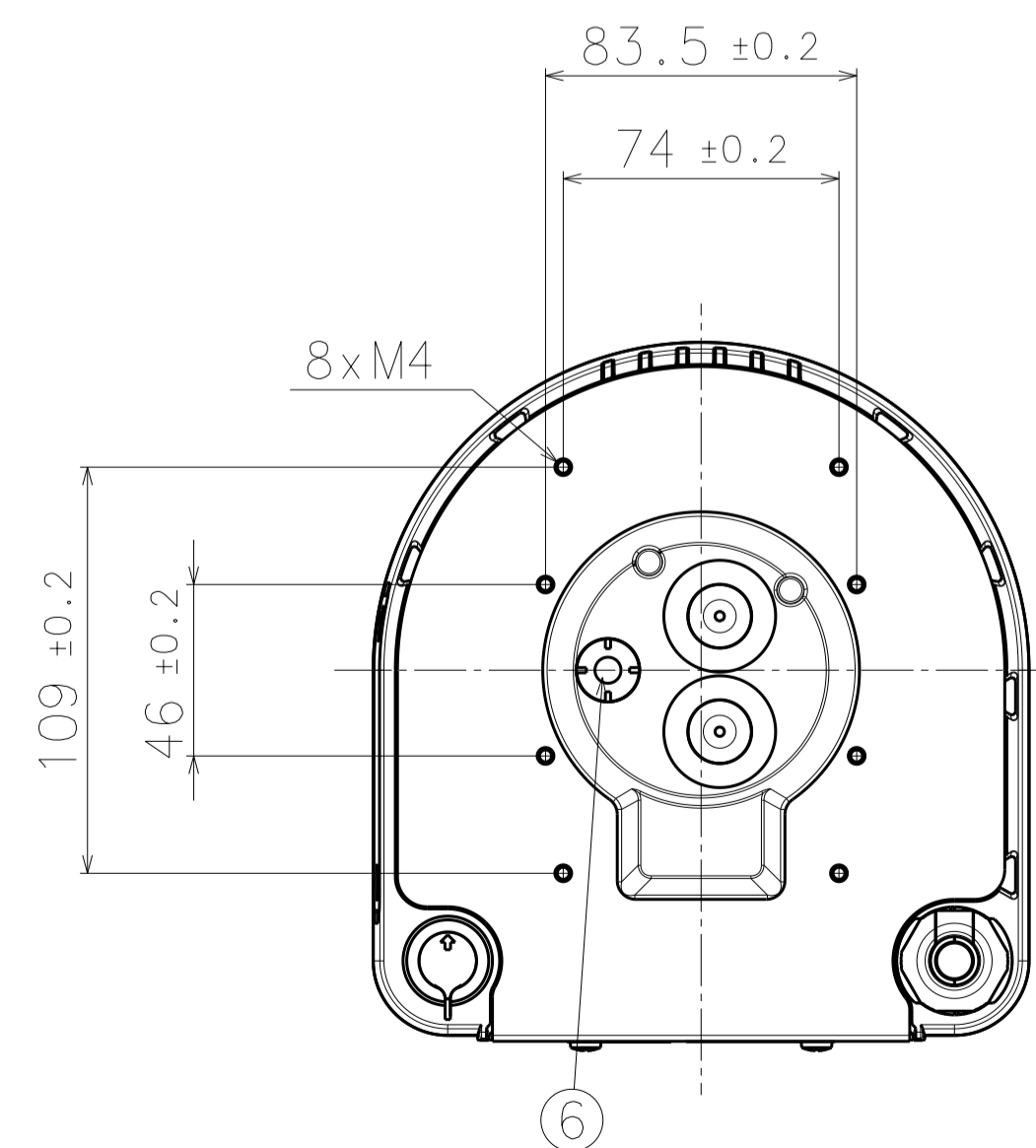
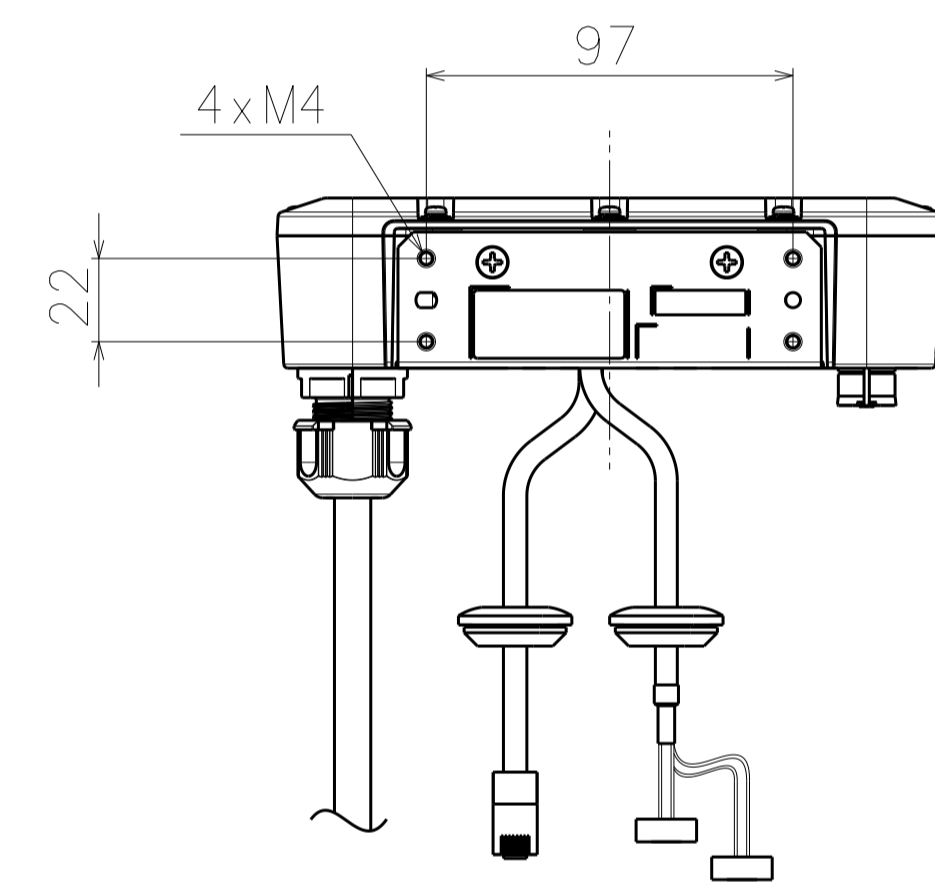
(Approx. 290)



(Approx. 190)



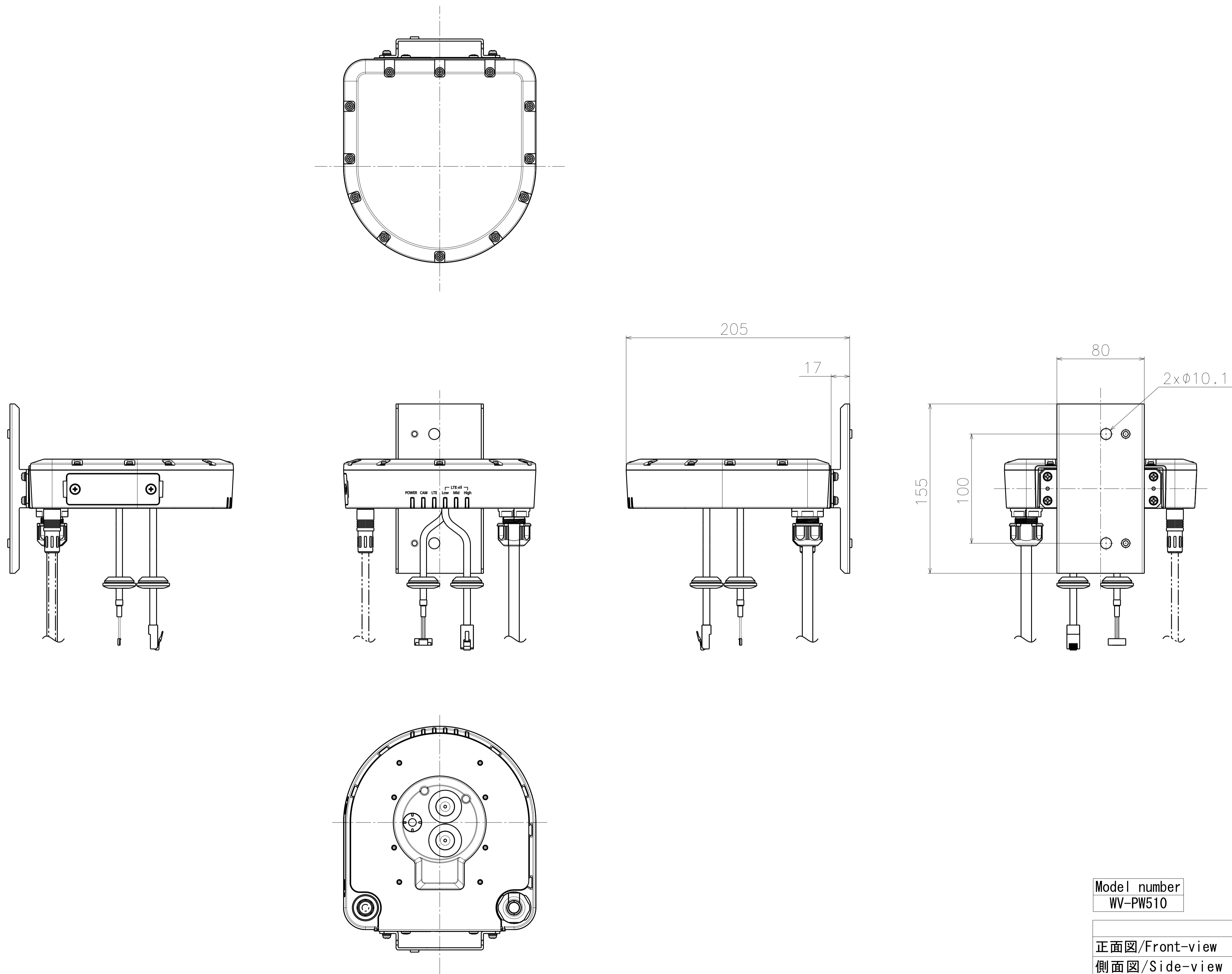
Power cord length from outline  
Approx. 5 m



Model number  
WV-PW510

	投影面積/Projected area
正面図/Front-view	0.008 (m <sup>2</sup> )
側面図/Side-view	0.008 (m <sup>2</sup> )
平面図/TOP-view	0.029 (m <sup>2</sup> )

Mass : Approx. 1.7 kg {3.75 lbs} (Communication unit body and cable)  
(Excluding clamp fixing bracket)  
Approx. 660 g {1.46 lbs} (Power cord only)

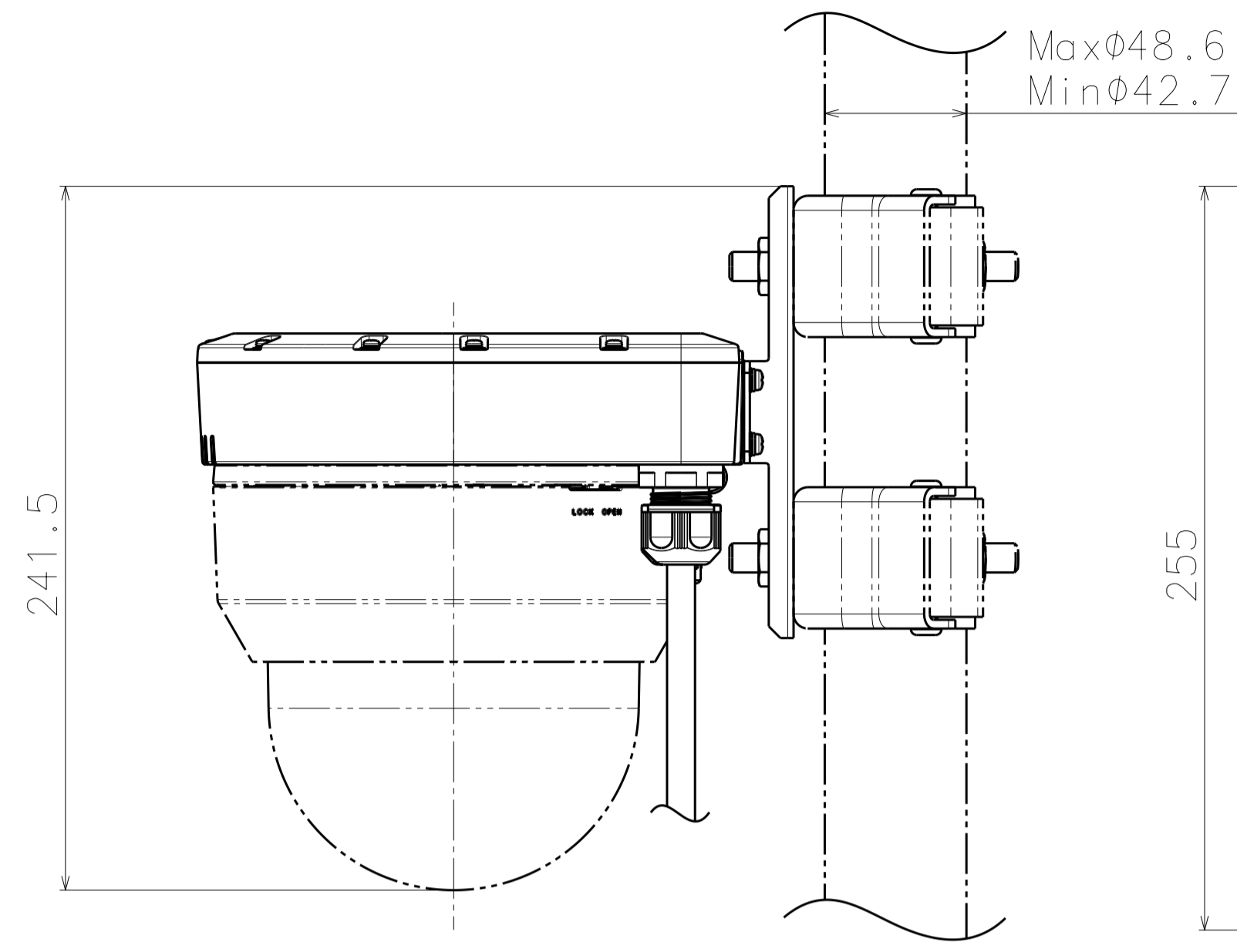


With clamp fixing bracket

Model number  
WV-PW510

	投影面積/Projected area
正面図/Front-view	0.017 (m <sup>2</sup> )
側面図/Side-view	0.010 (m <sup>2</sup> )
平面図/TOP-view	0.029 (m <sup>2</sup> )

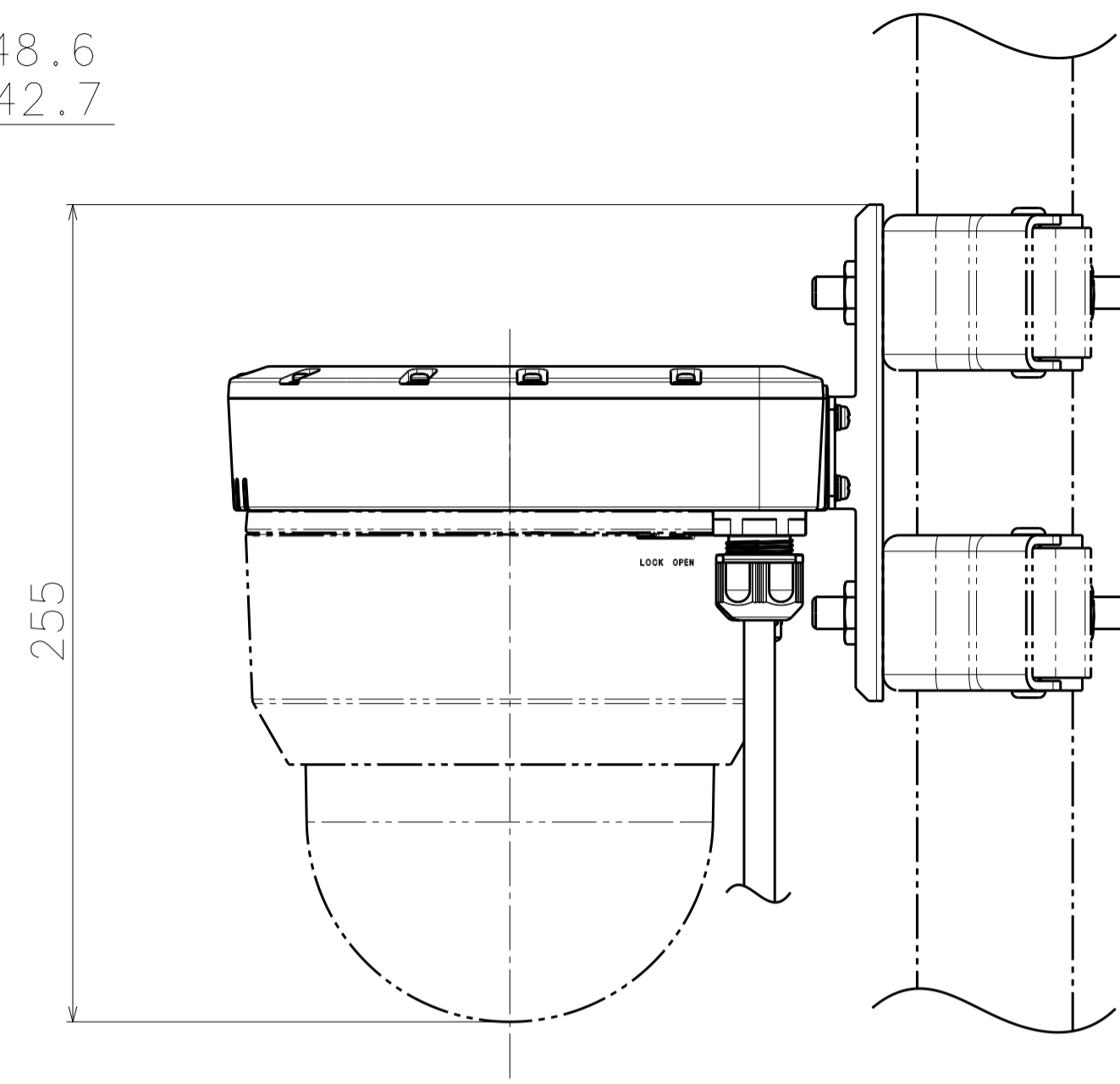
カメラと金具との組み合わせ例  
Example of combination with camera & bracket



Attach to WV-B65301\*\*

	投影面積/Projected area
正面図/Front-view	0.031 (m <sup>2</sup> )
側面図/Side-view	0.029 (m <sup>2</sup> )
平面図/TOP-view	0.029 (m <sup>2</sup> )

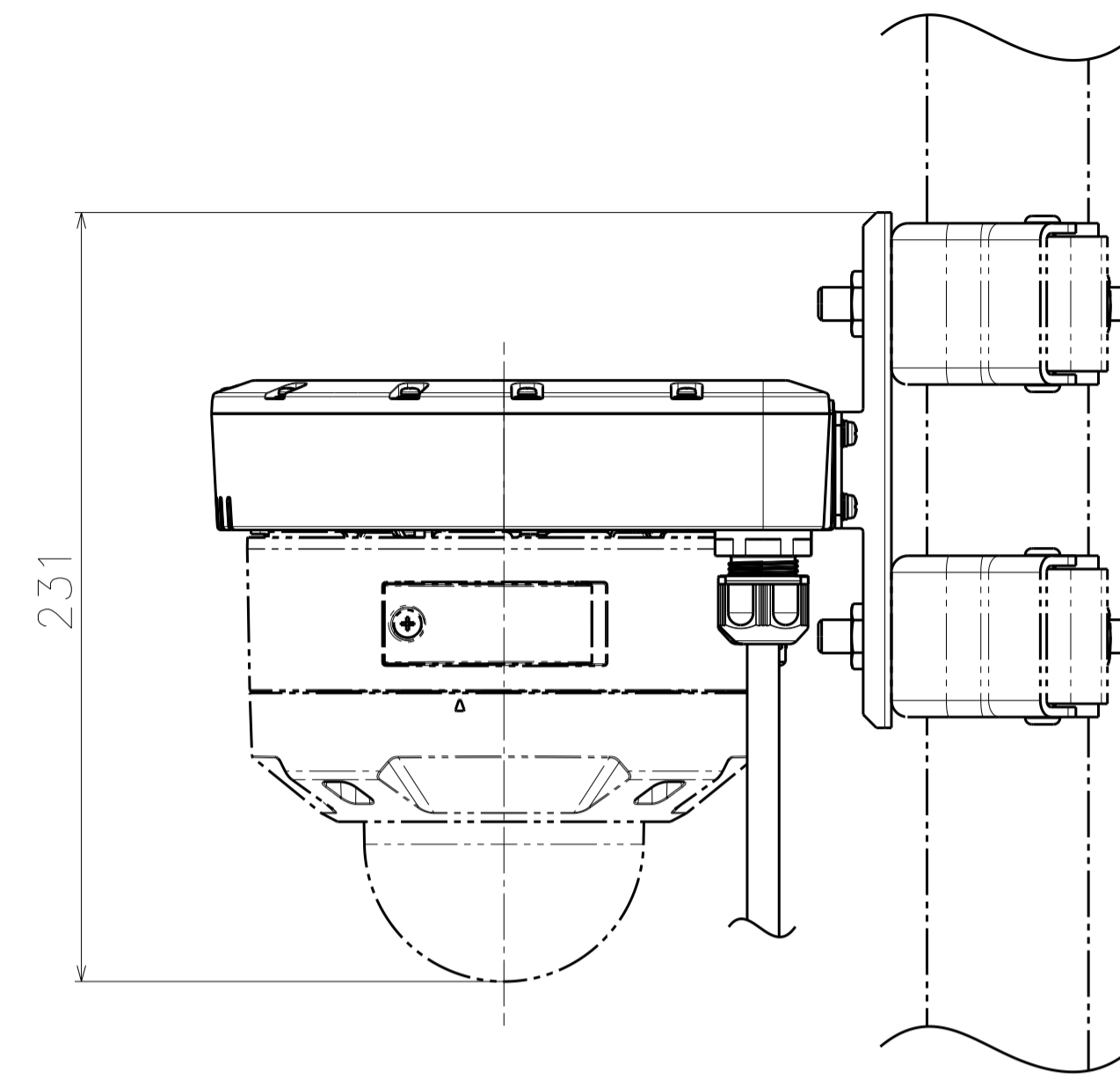
(単管クランプ除く)  
(Excluding the single tube clamp)



Attach to WV-B65302\*\*

	投影面積/Projected area
正面図/Front-view	0.032 (m <sup>2</sup> )
側面図/Side-view	0.030 (m <sup>2</sup> )
平面図/TOP-view	0.029 (m <sup>2</sup> )

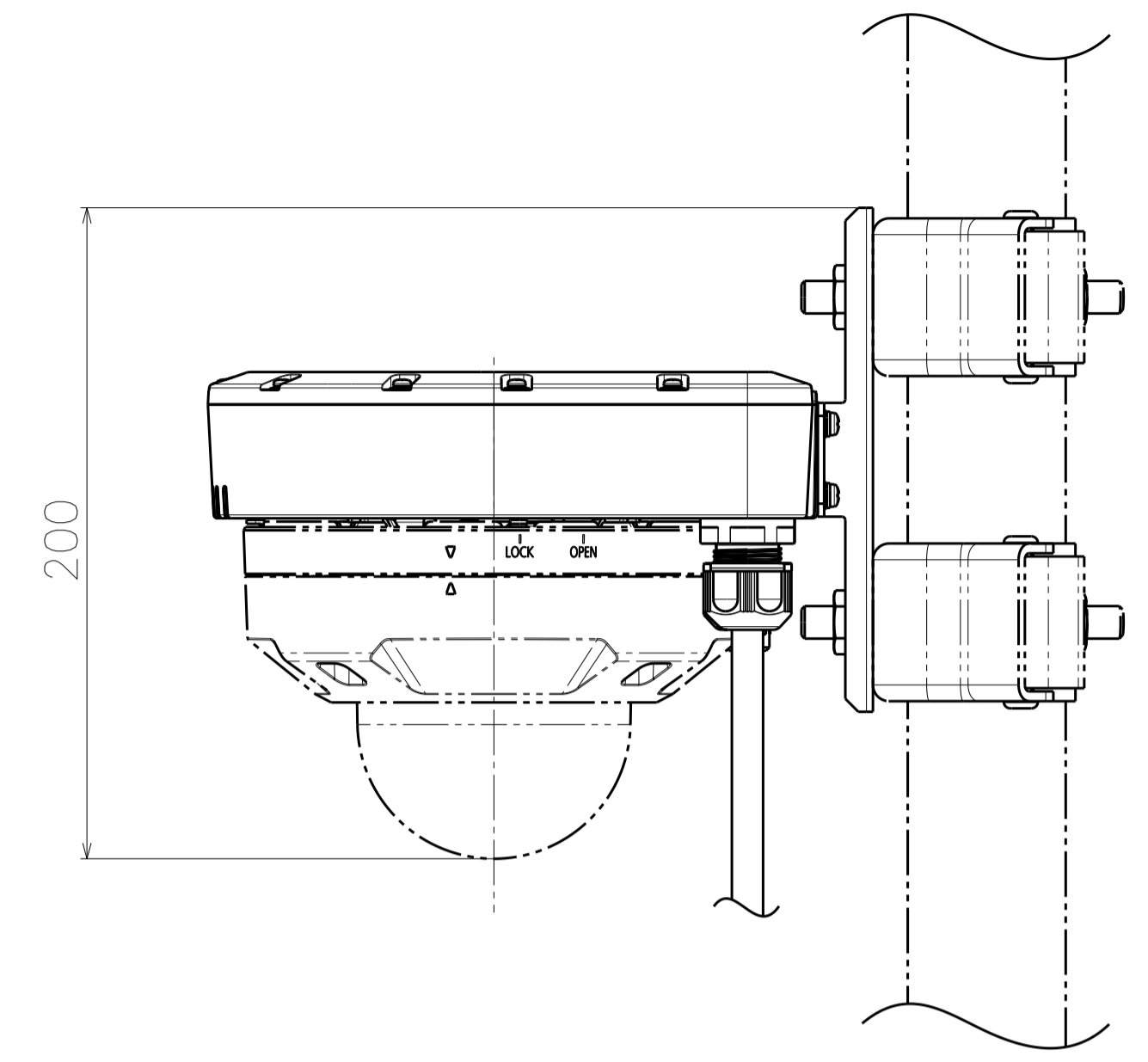
(単管クランプ除く)  
(Excluding the single tube clamp)



Attach to WV-B65300\*\*

	投影面積/Projected area
正面図/Front-view	0.028 (m <sup>2</sup> )
側面図/Side-view	0.026 (m <sup>2</sup> )
平面図/TOP-view	0.029 (m <sup>2</sup> )

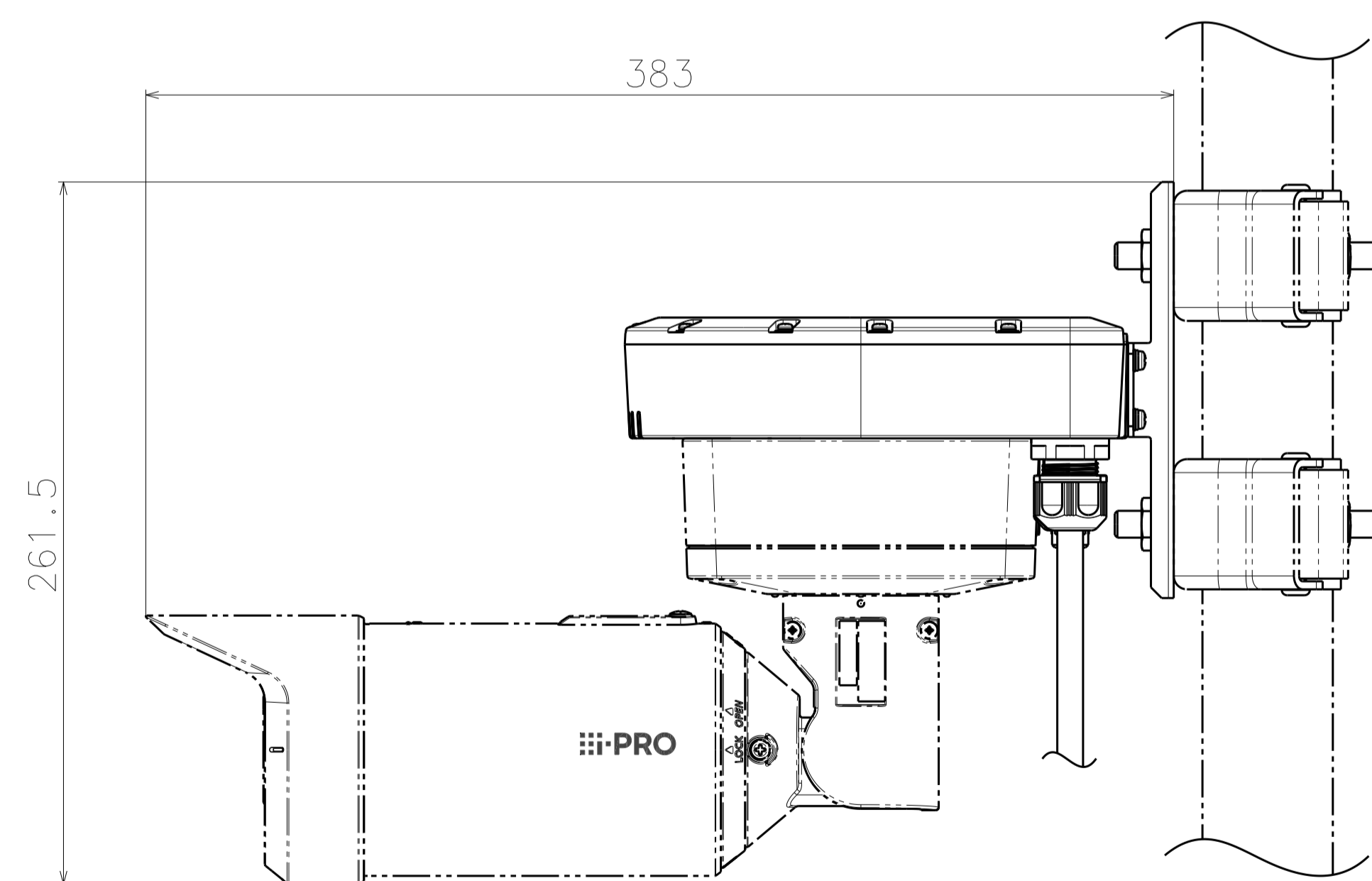
(単管クランプ除く)  
(Excluding the single tube clamp)



Attach to WV-S2536L\*\*

	投影面積/Projected area
正面図/Front-view	0.023 (m <sup>2</sup> )
側面図/Side-view	0.021 (m <sup>2</sup> )
平面図/TOP-view	0.029 (m <sup>2</sup> )

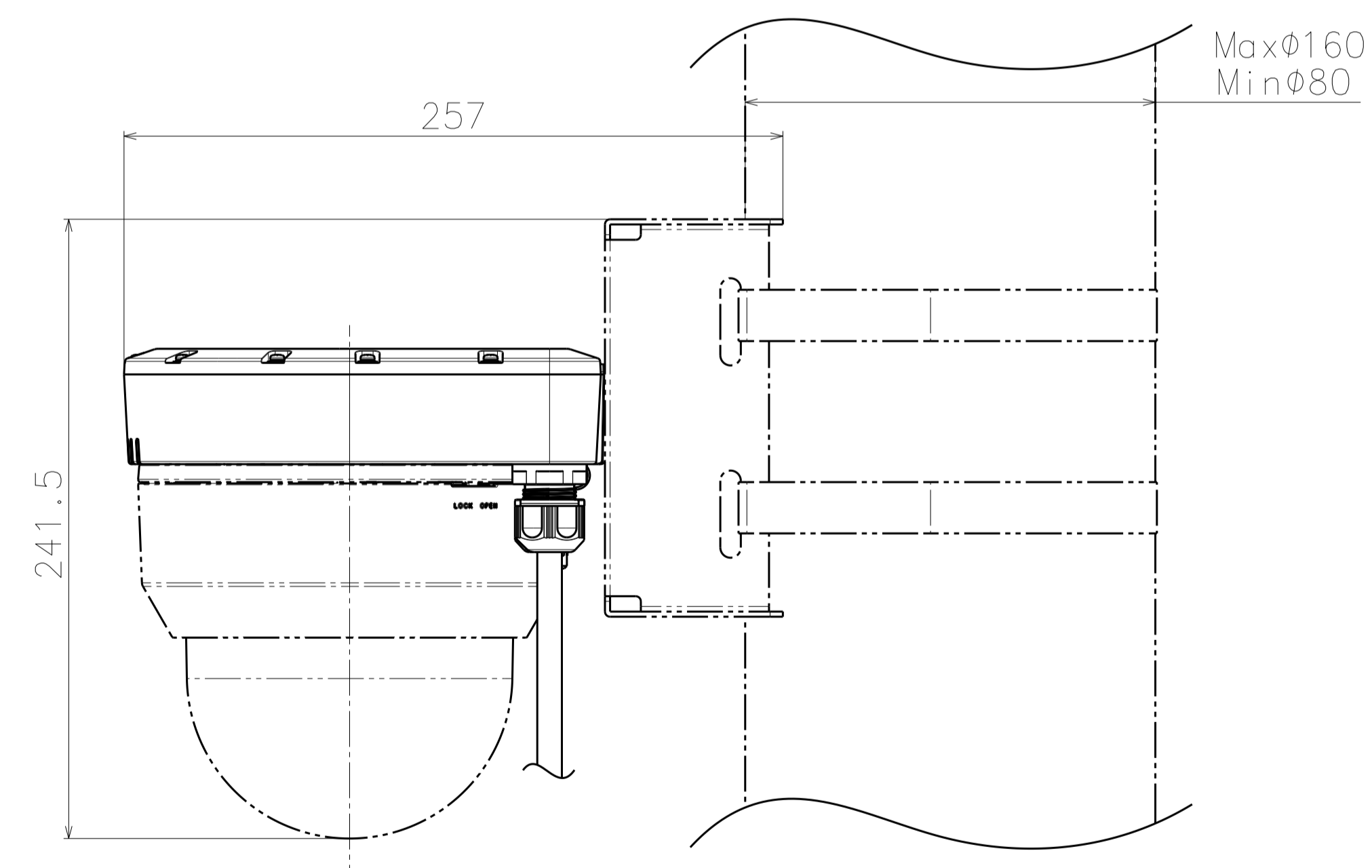
(単管クランプ除く)  
(Excluding the single tube clamp)



Attach to WV-S1536L\*\*

	投影面積/Projected area
正面図/Front-view	0.028 (m <sup>2</sup> )
側面図/Side-view	0.040 (m <sup>2</sup> )
平面図/TOP-view	0.045 (m <sup>2</sup> )

(単管クランプ除く)  
(Excluding the single tube clamp)



Attach to WV-B65301\*\* & WV-QPL501\*\*

	投影面積/Projected area
正面図/Front-view	0.034 (m <sup>2</sup> )
側面図/Side-view	0.037 (m <sup>2</sup> )
平面図/TOP-view	0.037 (m <sup>2</sup> )

Model number  
WV-PW510