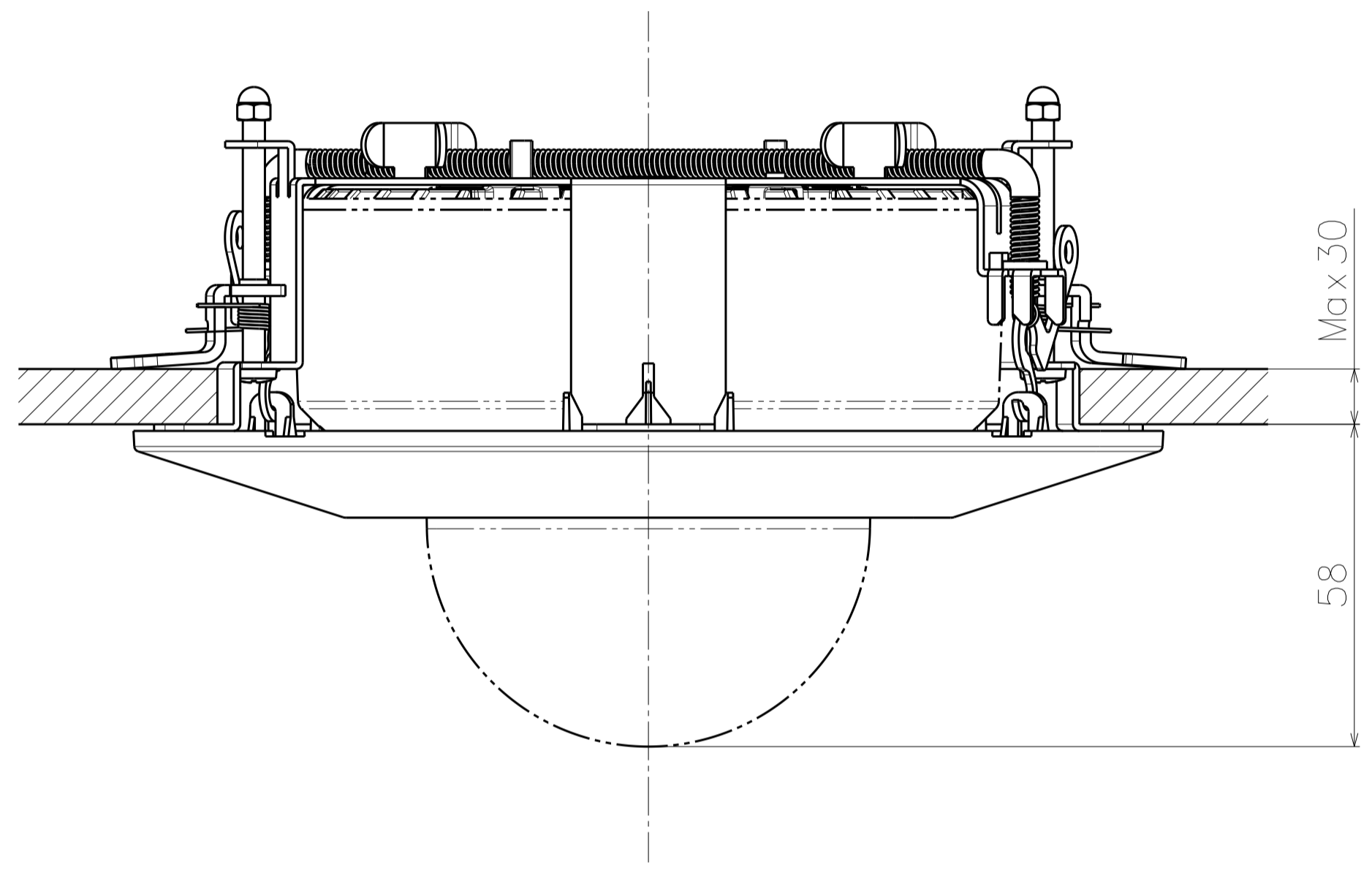
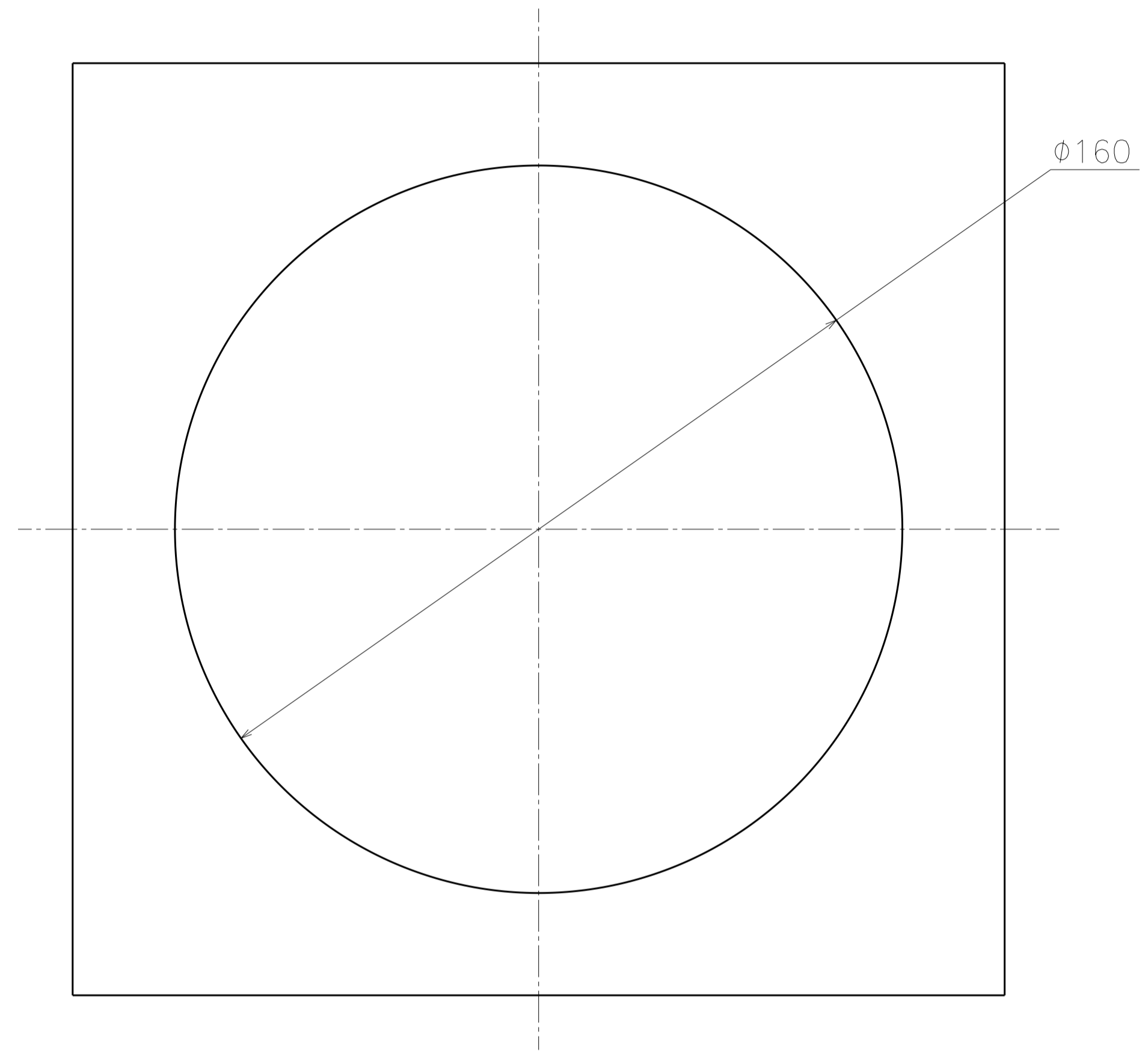


Mass : Approx. 350 g {0.73 lbs}

WV-QEM100-B



Attach to WV-S2136L-B



Template for mounting