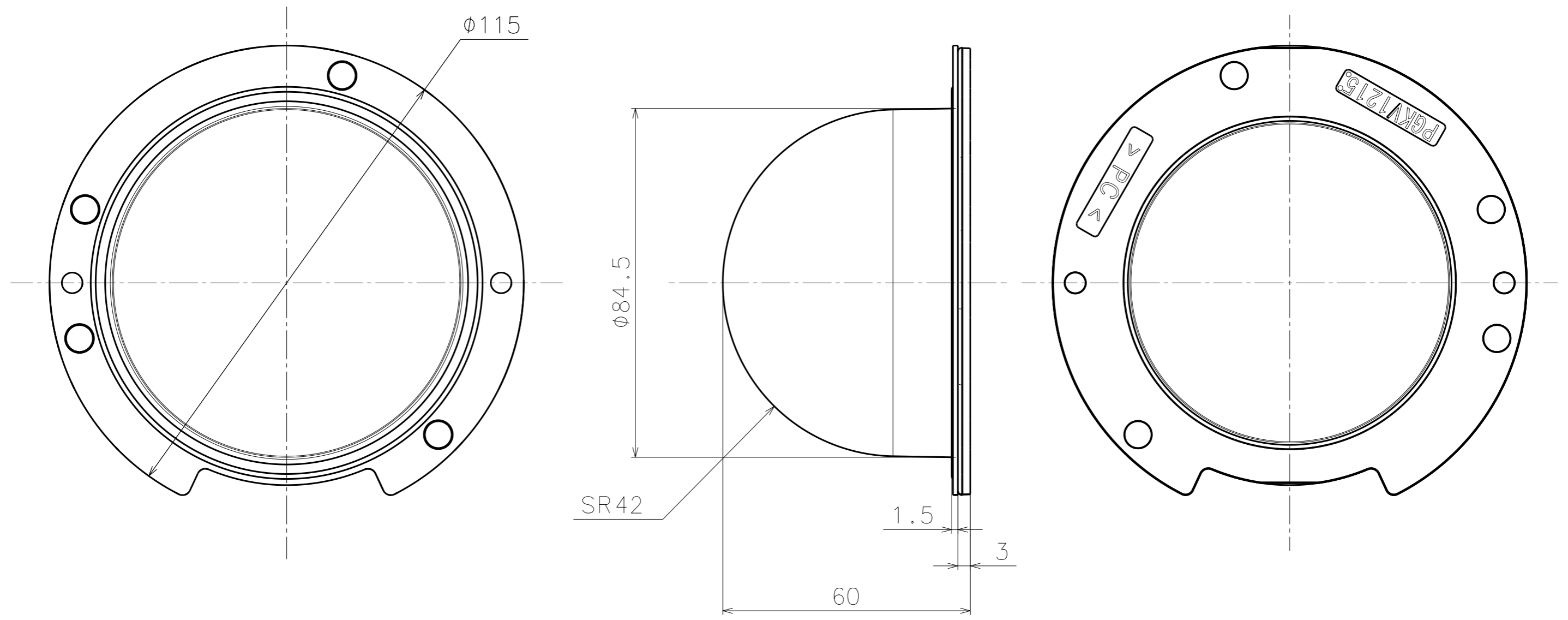


本図は付属の防水ラバーを含めた図である
This figure includes the attached waterproof rubber.



Model number
WV-CW7S
WV-CW7SUX

Mass : Approx. 74 g {0.16 lbs} (Including Waterproof rubber)