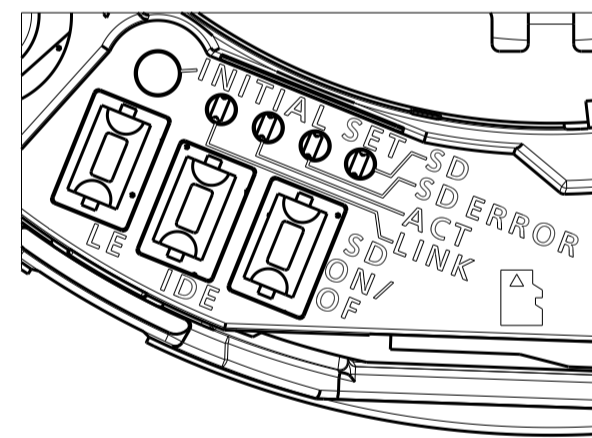
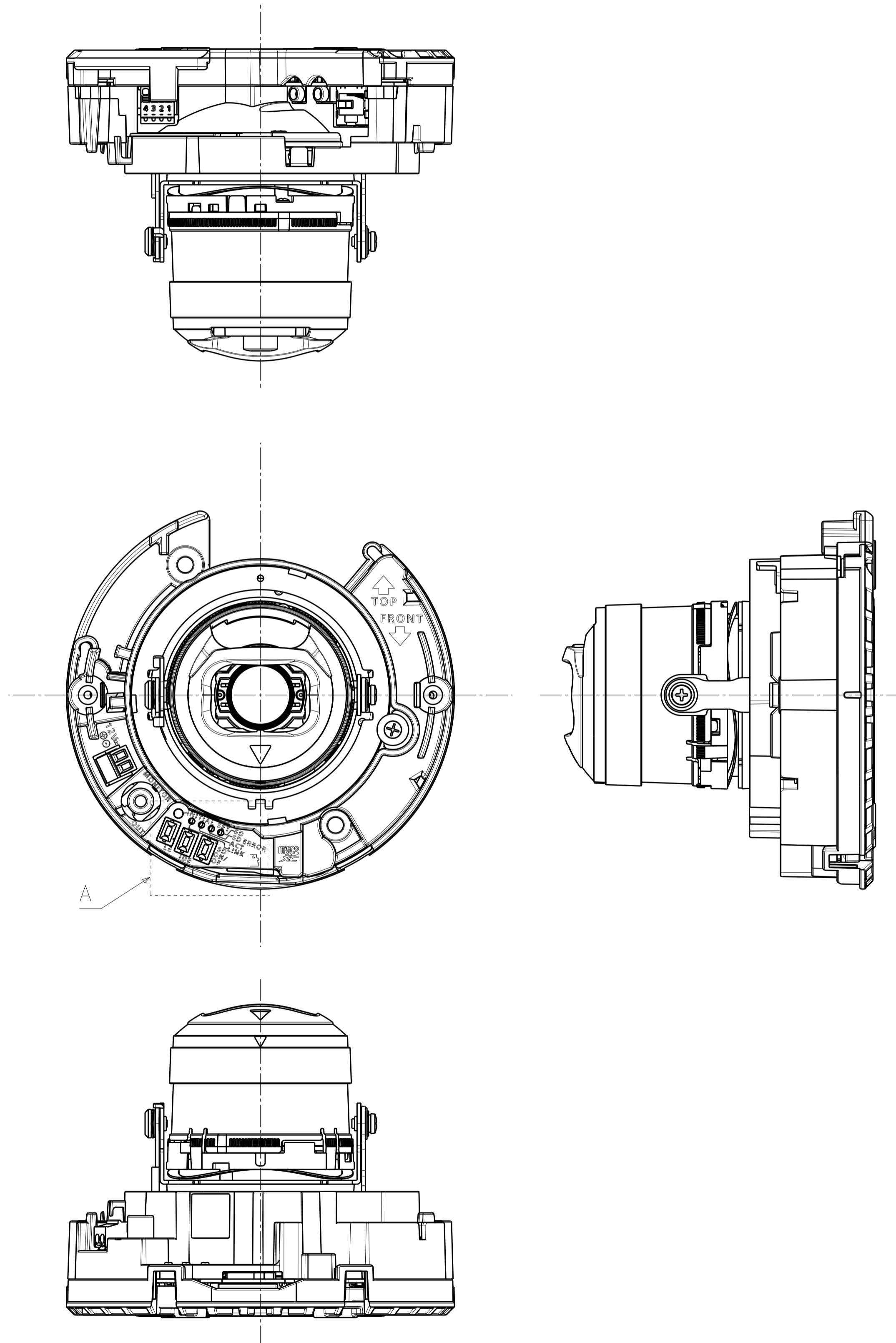


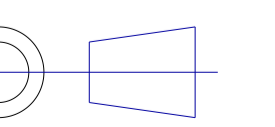
Mass : Approx. 470 g {1.04 lbs}



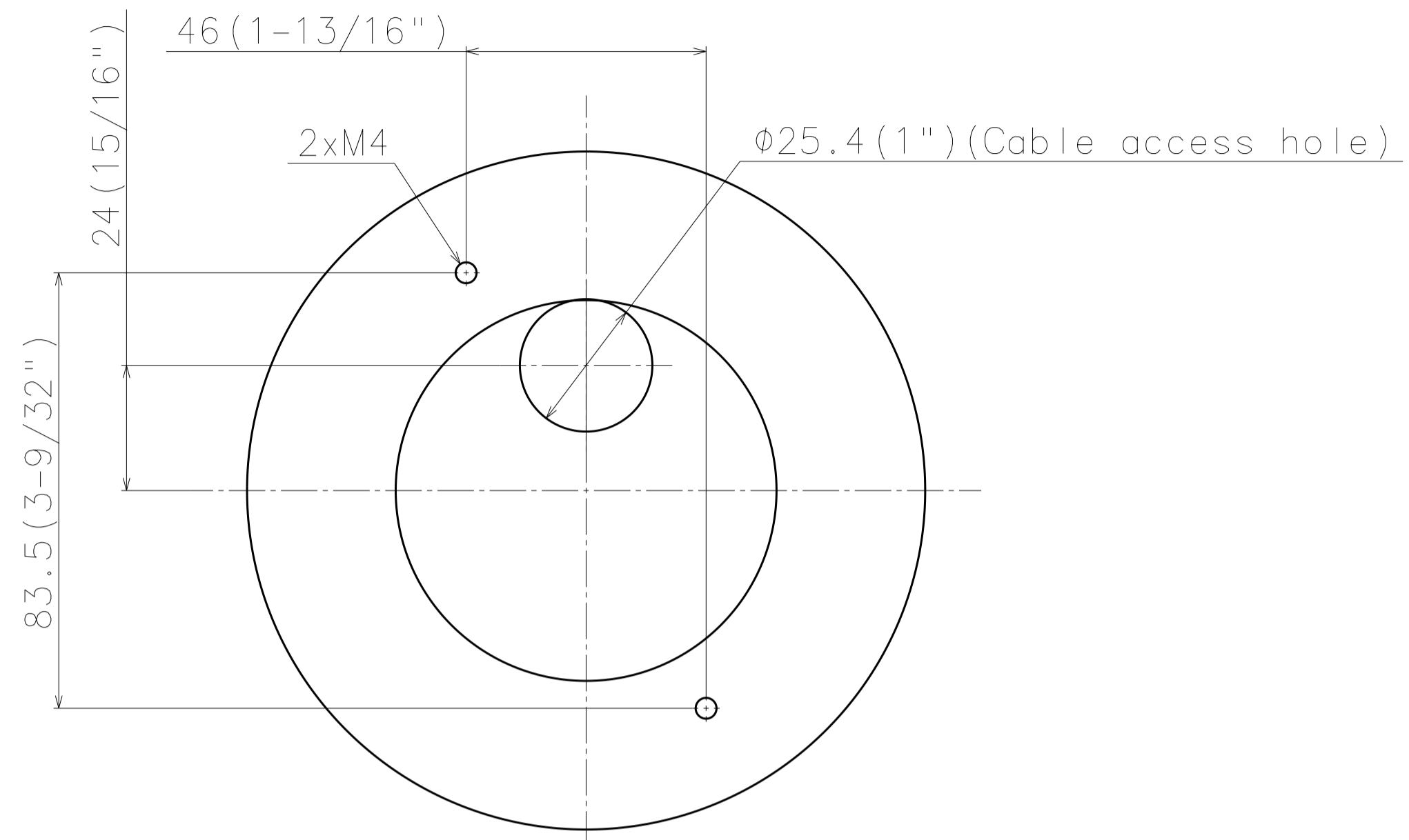
Detail A (2:1)



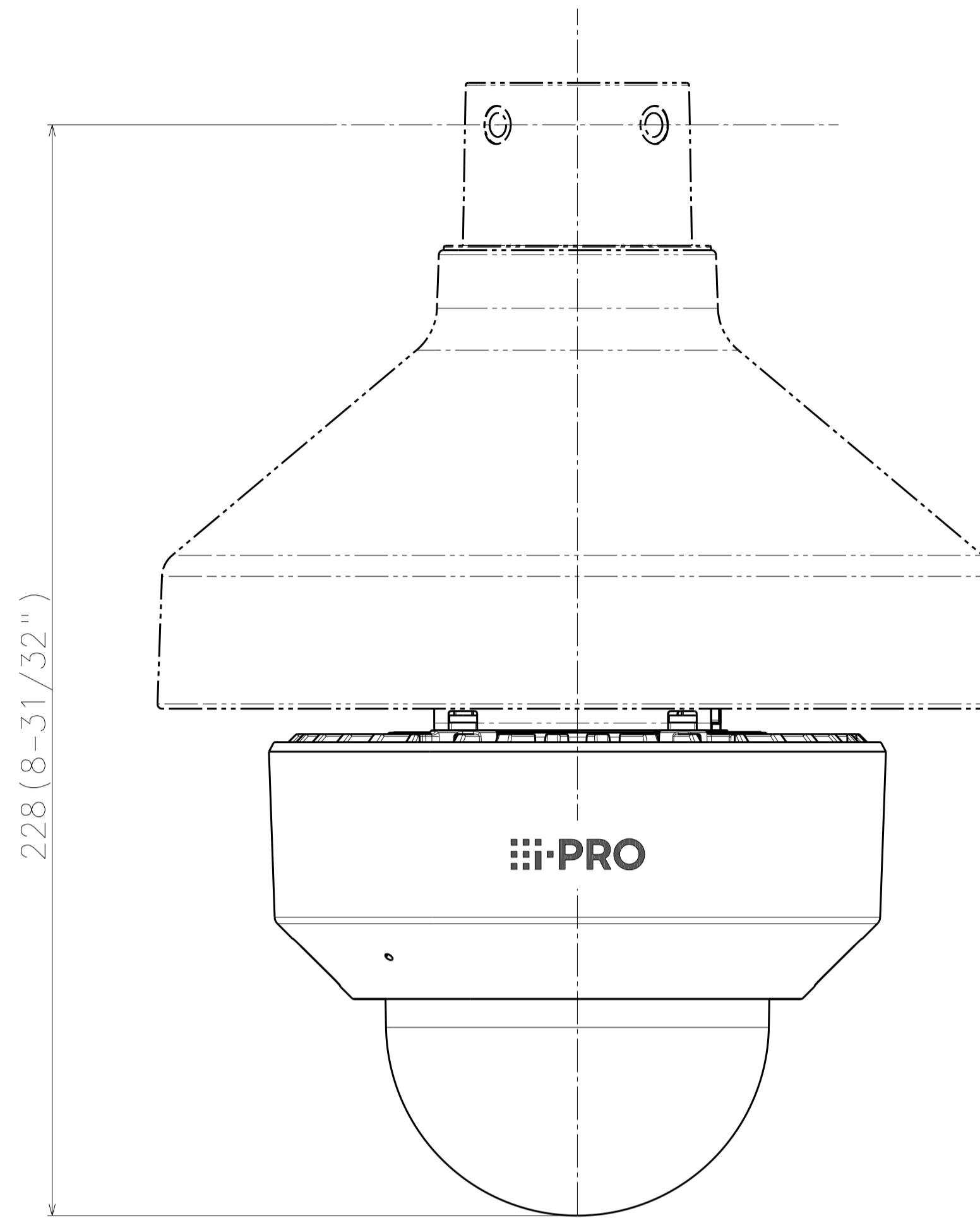
Without Enclosure



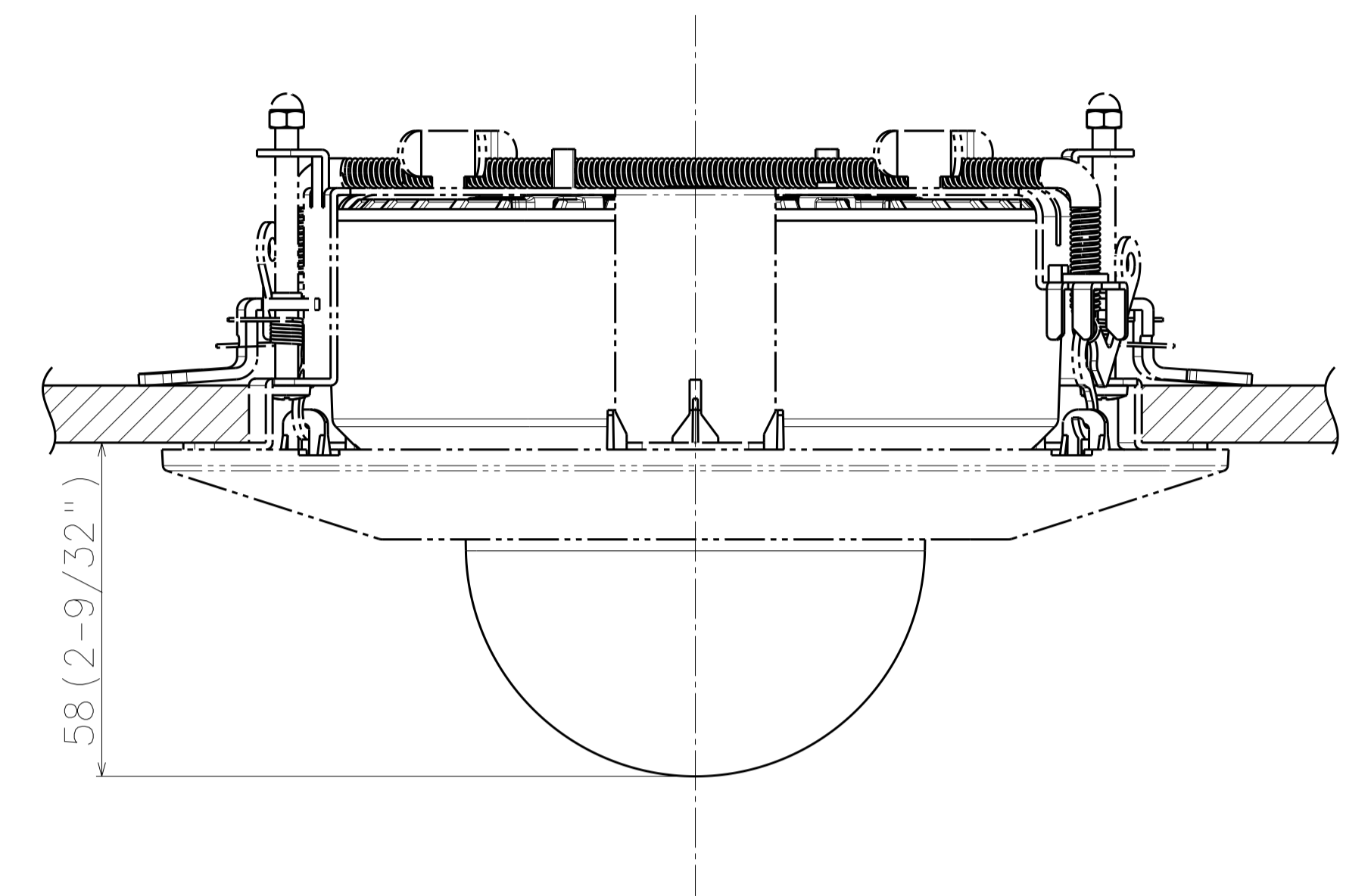
金具との組み合わせ例
Example of combination with bracket



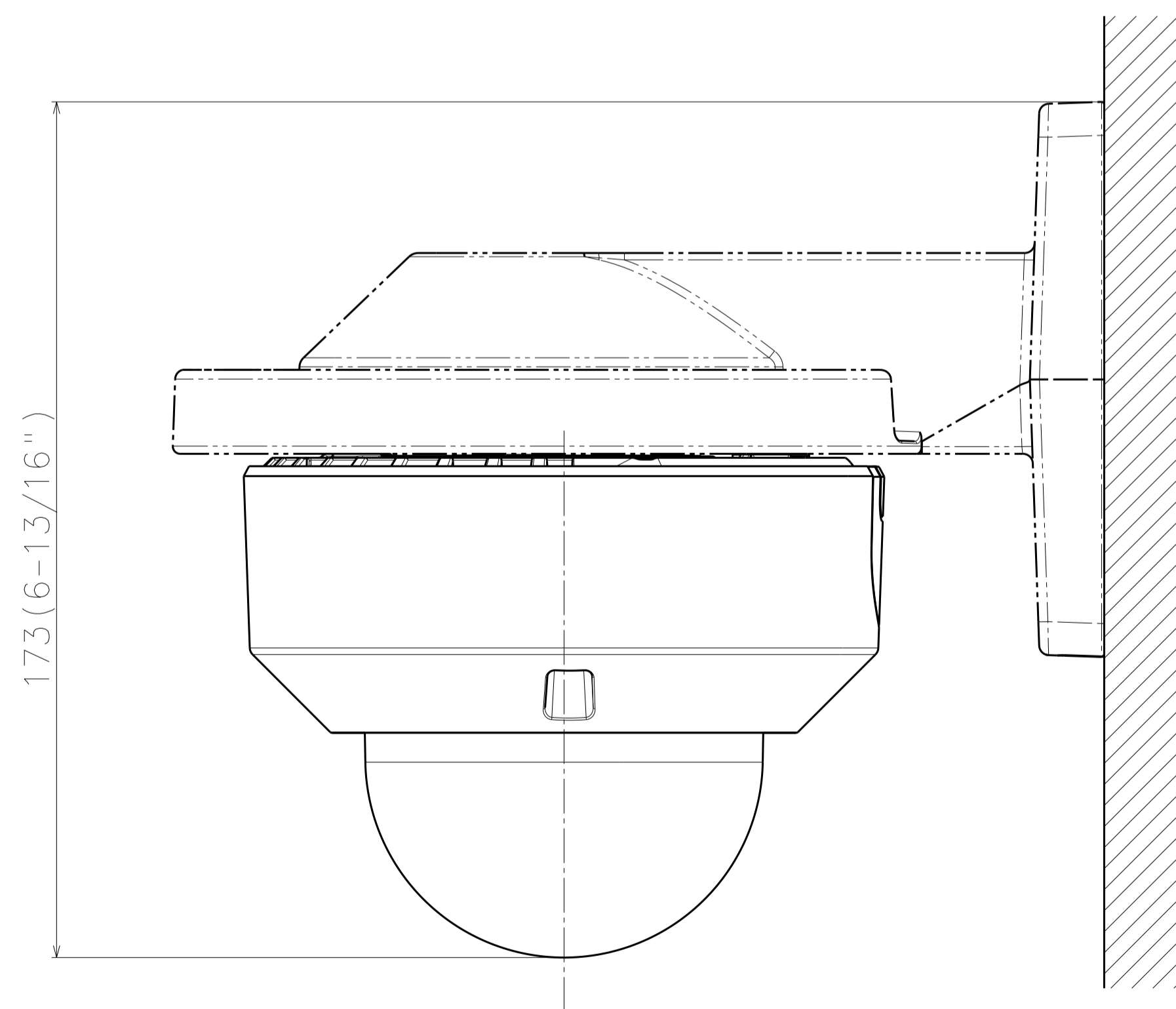
Template for mounting



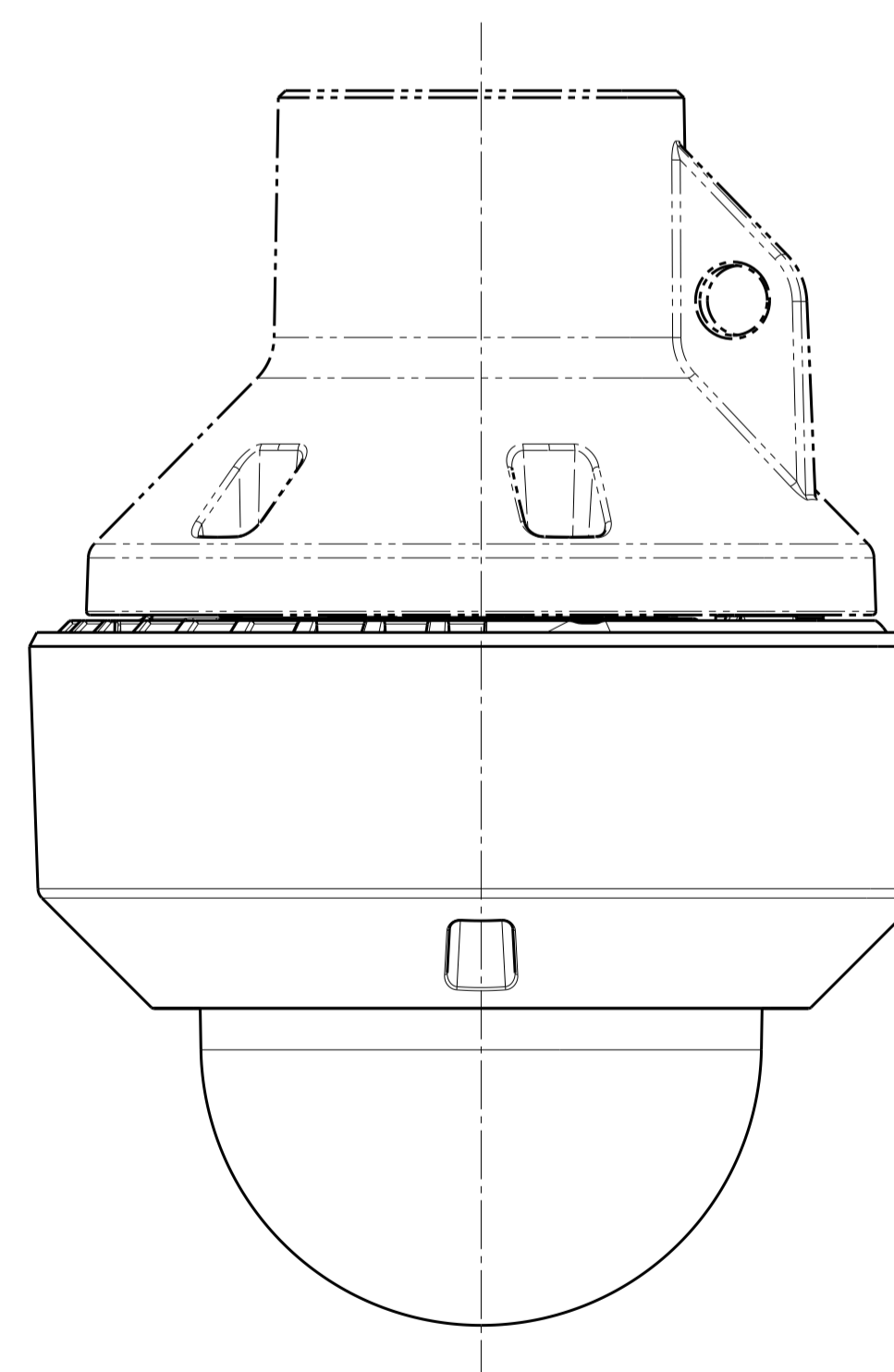
Attach to WV-QSR501-B



Attach to WV-QEM100-B



Attach to WV-QWL500-B



Attach to WV-QCL100-B

Unit:mm

