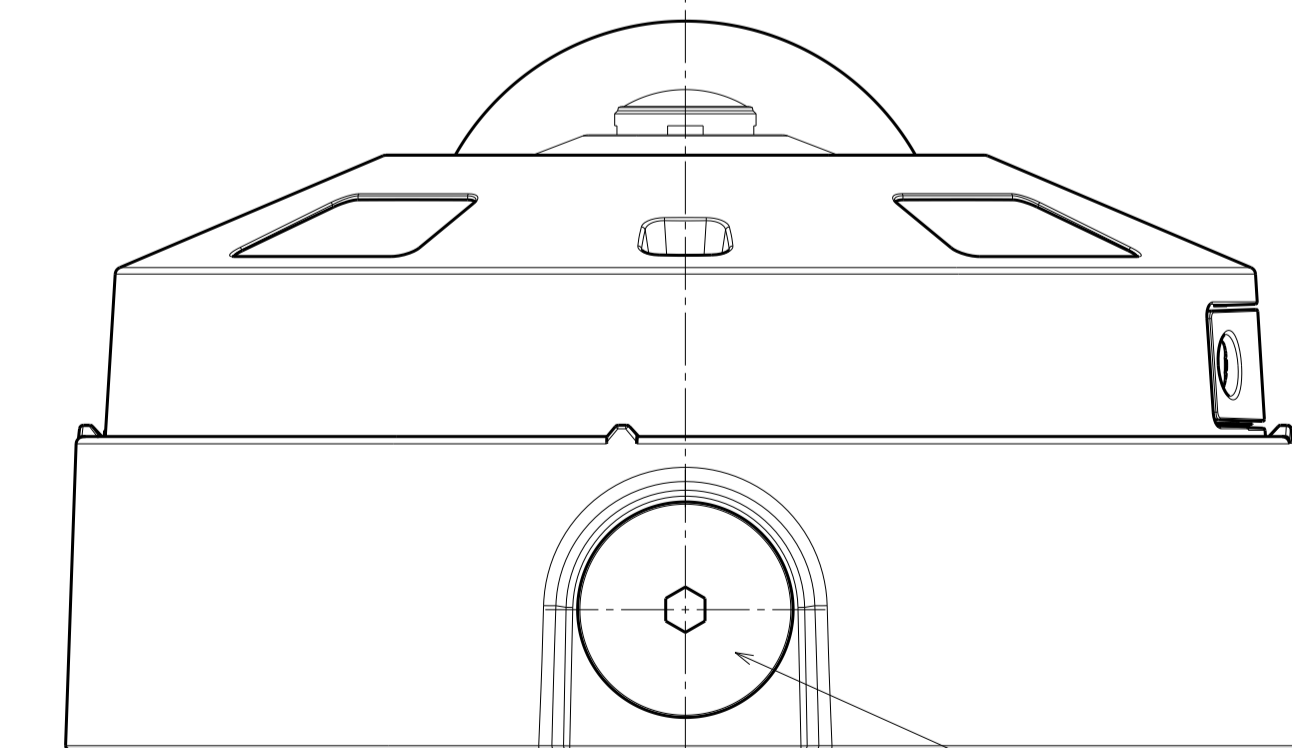
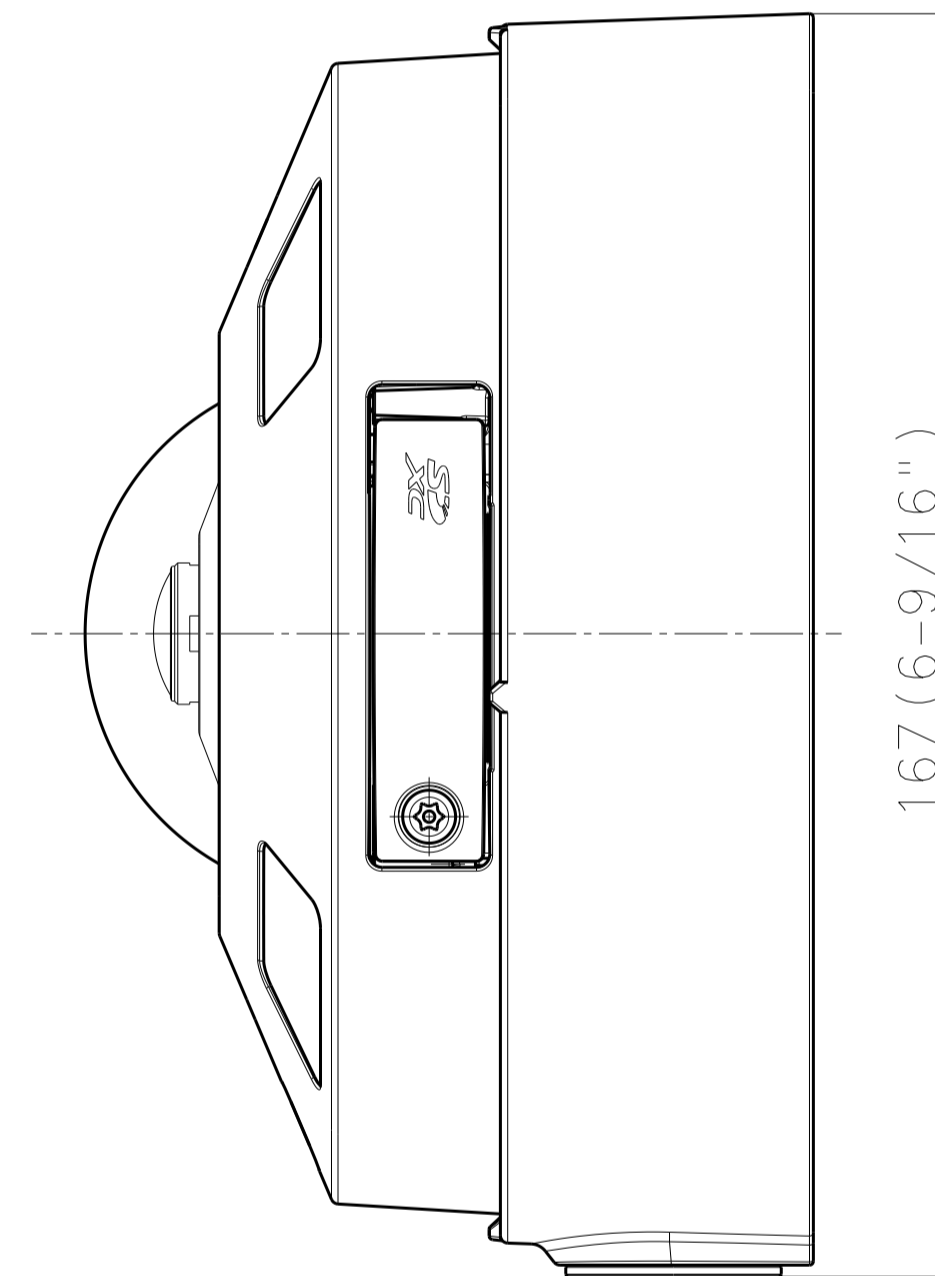
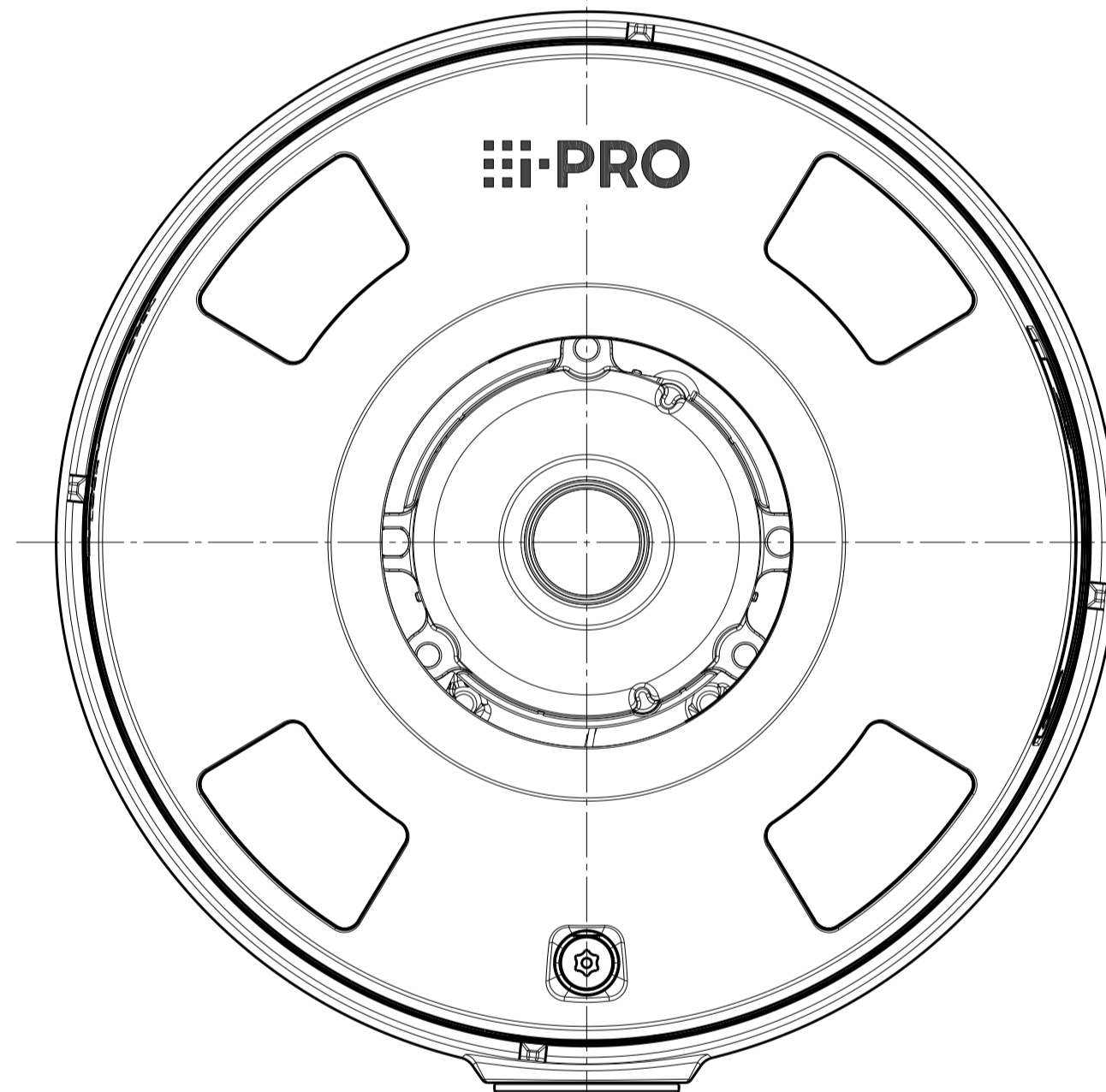
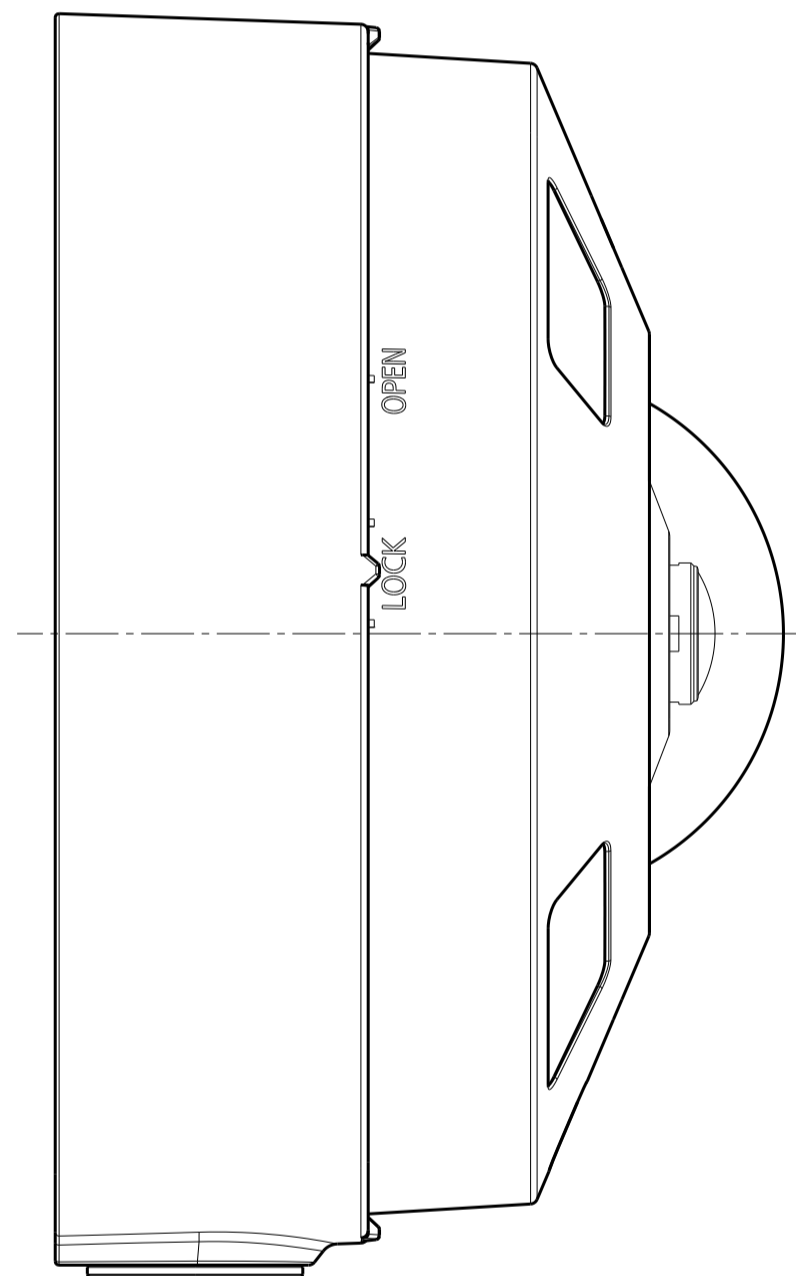
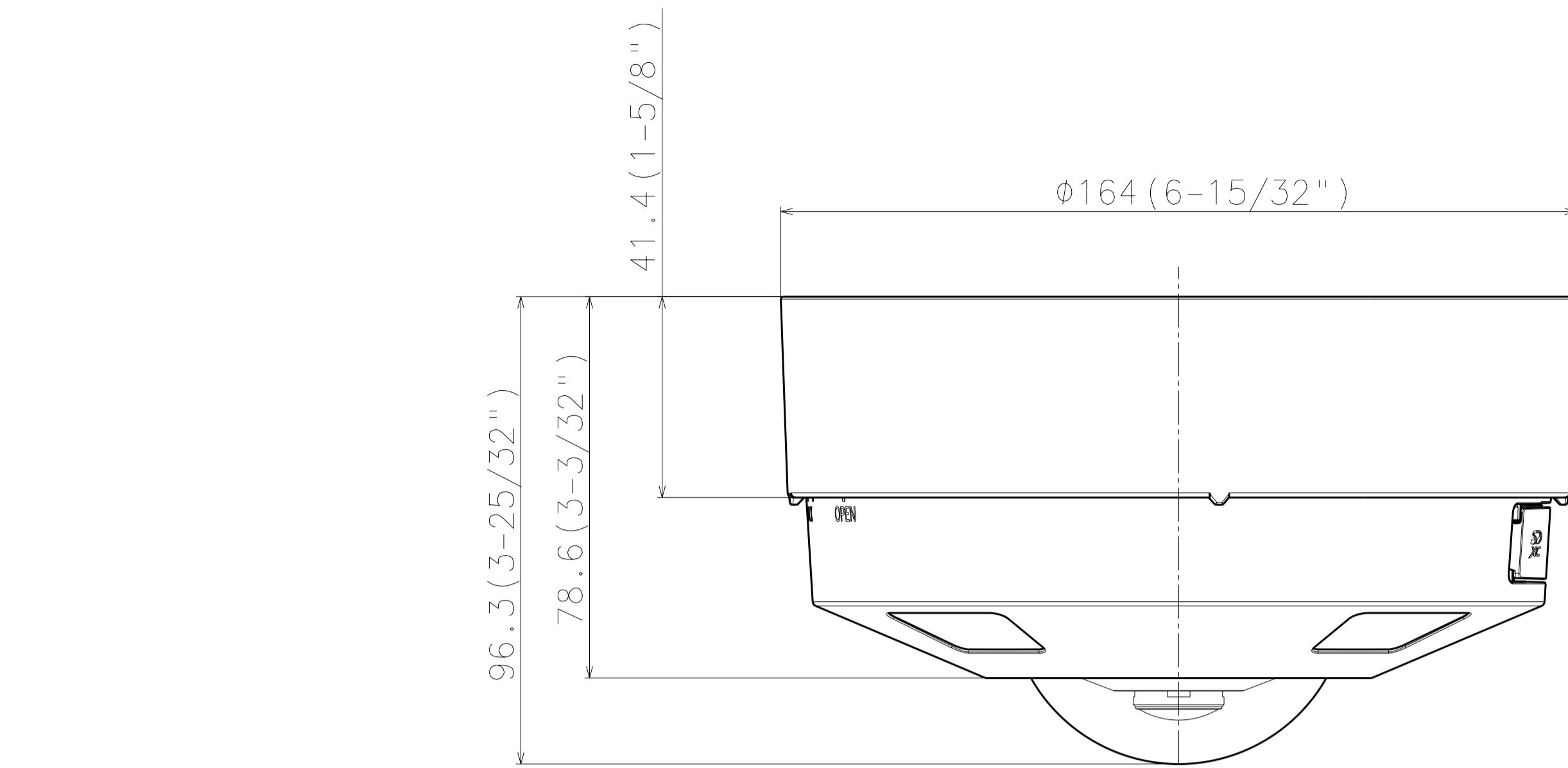


With attachment plate

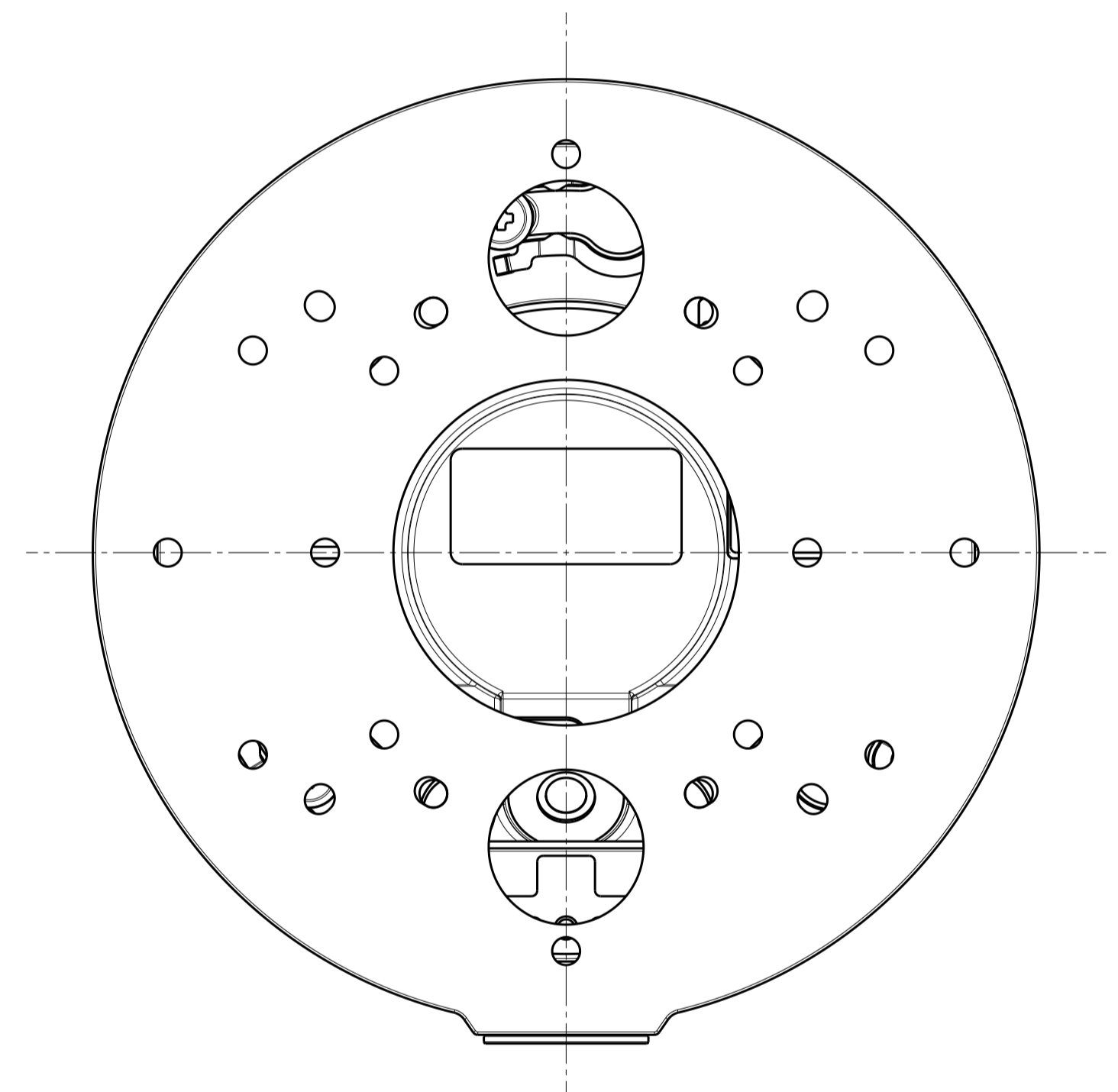
	投影面積/Projected area
側面図/Side-view	0.007 (m ²)

Mass : Approx. 870 g {1.92 lbs} (When using the attachment plate)



With Base bracket

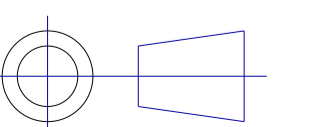
接続管用ねじ
 CTG22 または G3/4
 Female thread for conduit
 NPSM3/4 or G3/4

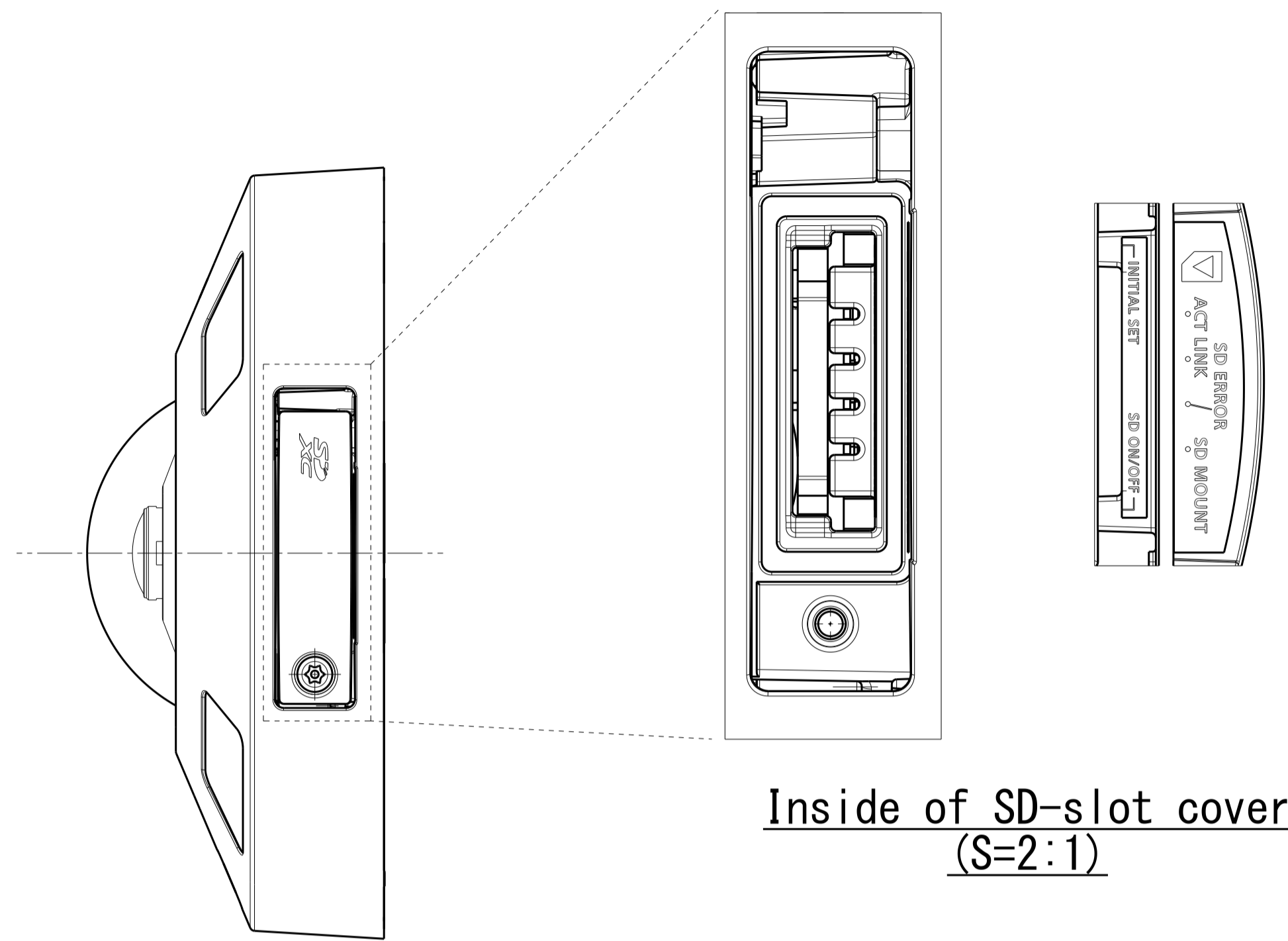


	投影面積/Projected area (With Base Bracket)
側面図/Side-view	0.013(m ²)

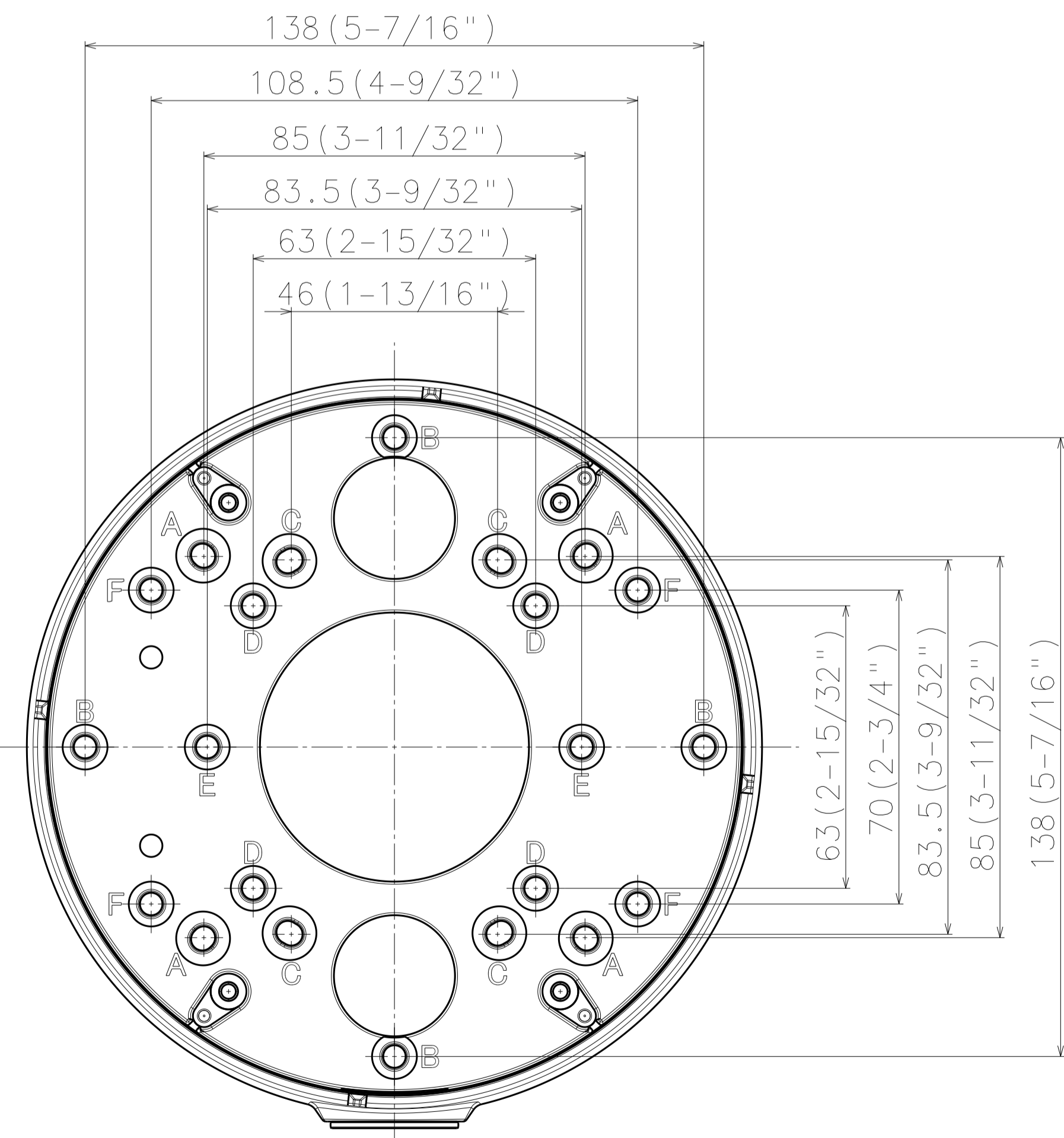
Mass : Approx. 1.3 kg {2.87 lbs} (When using the mounting base bracket)

Unit:mm

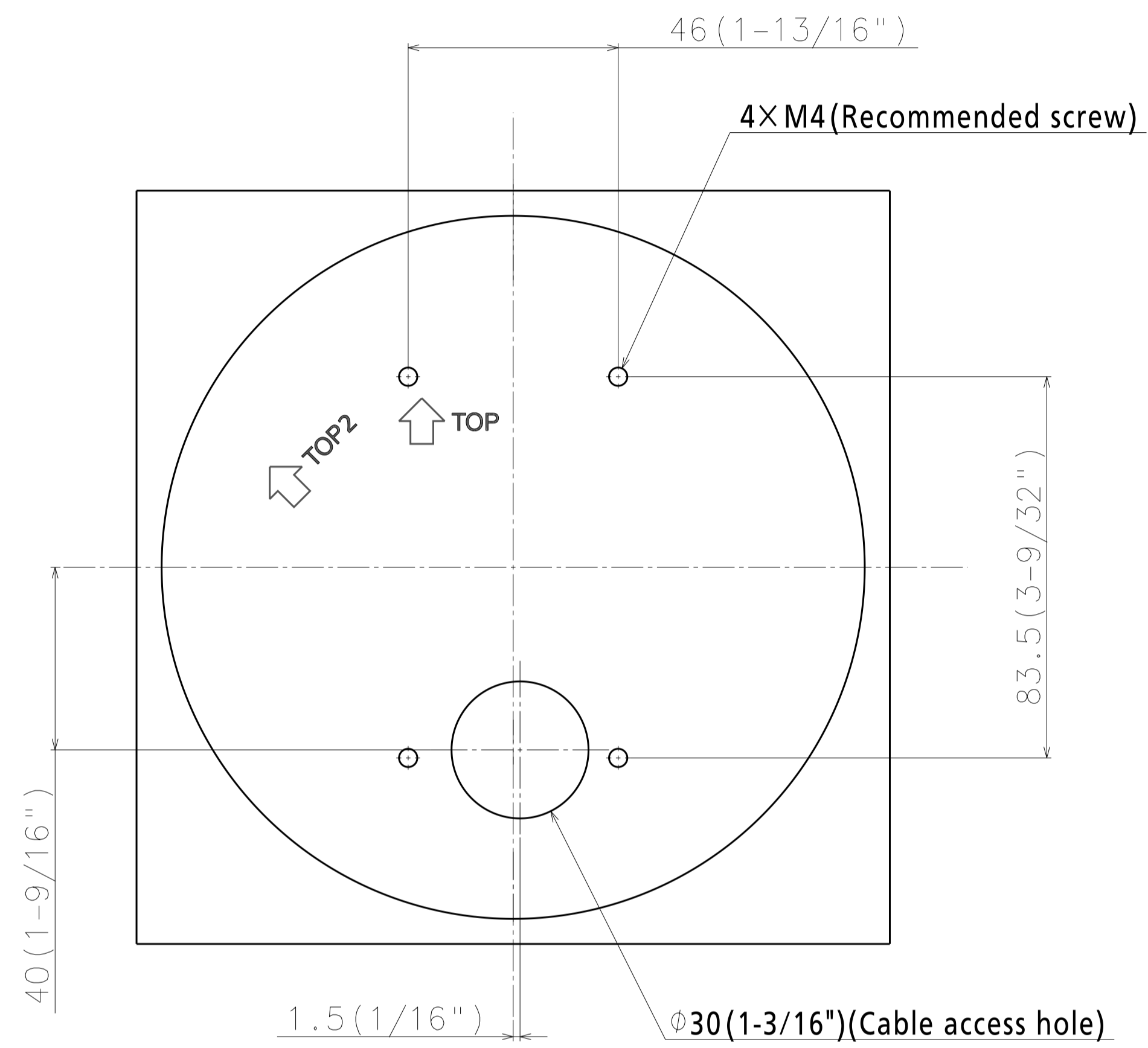




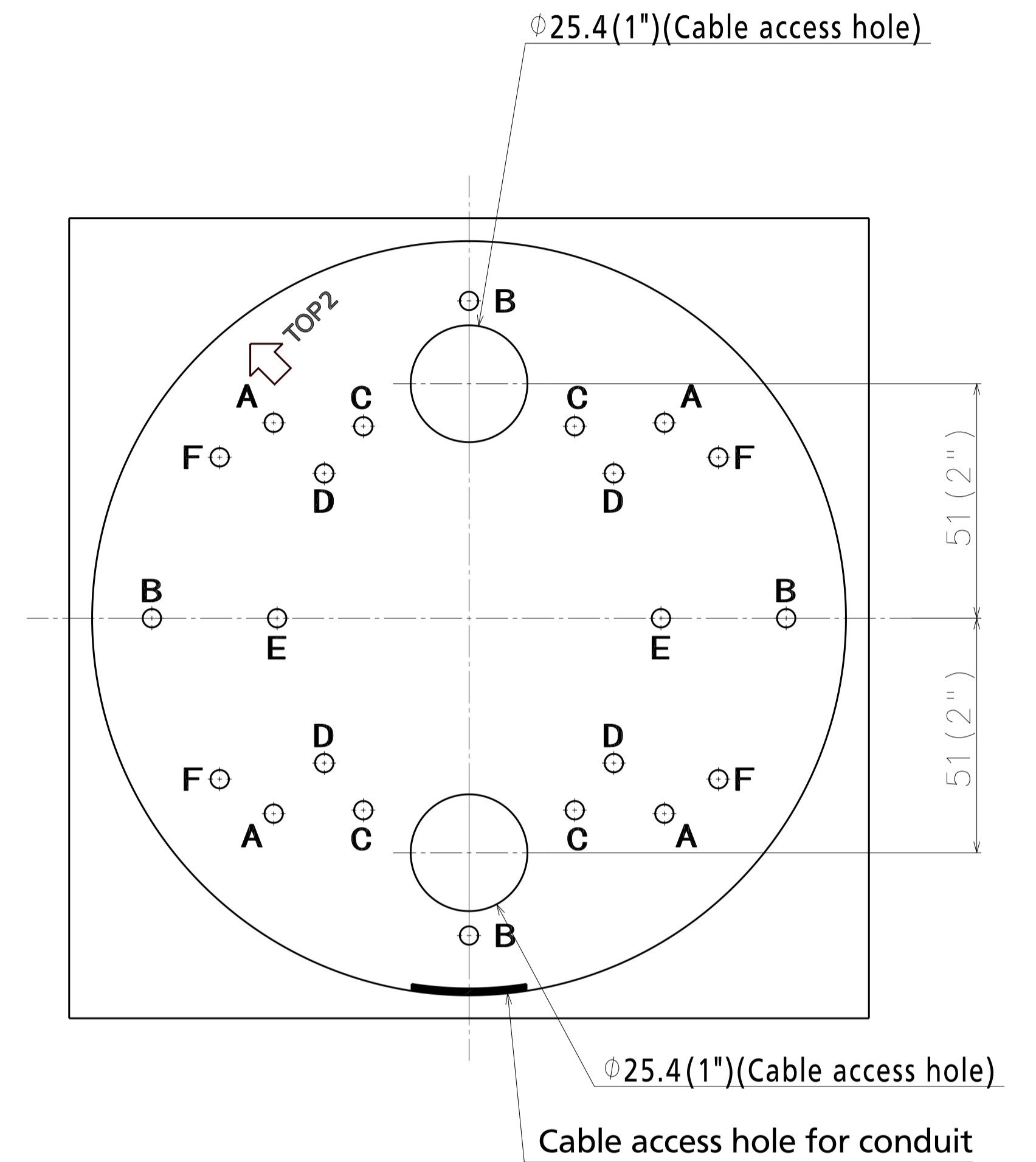
Inside of SD-slot cover
(S=2:1)



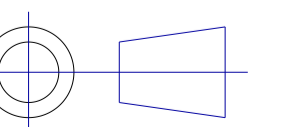
Mounting hole layout



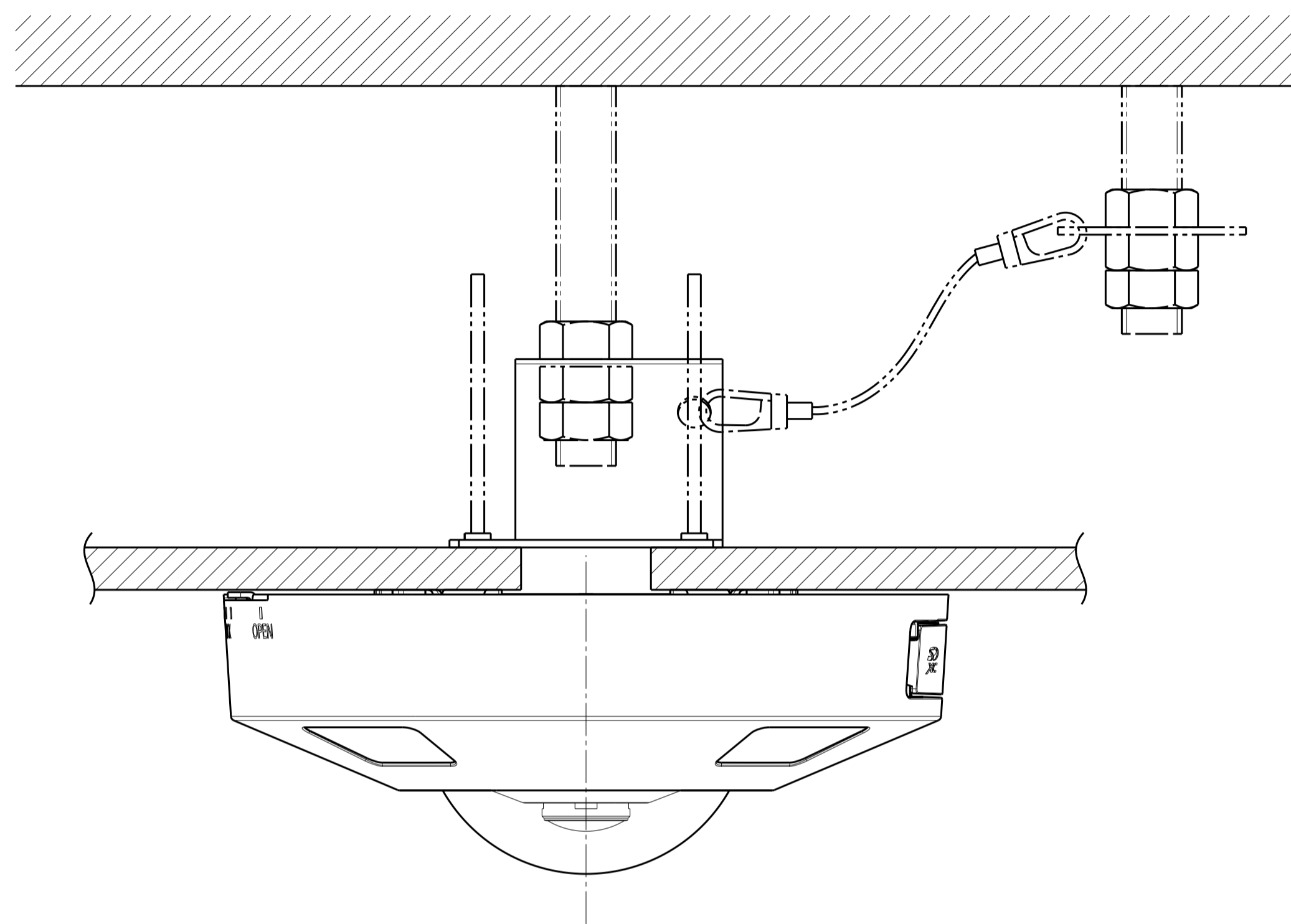
Template for mounting



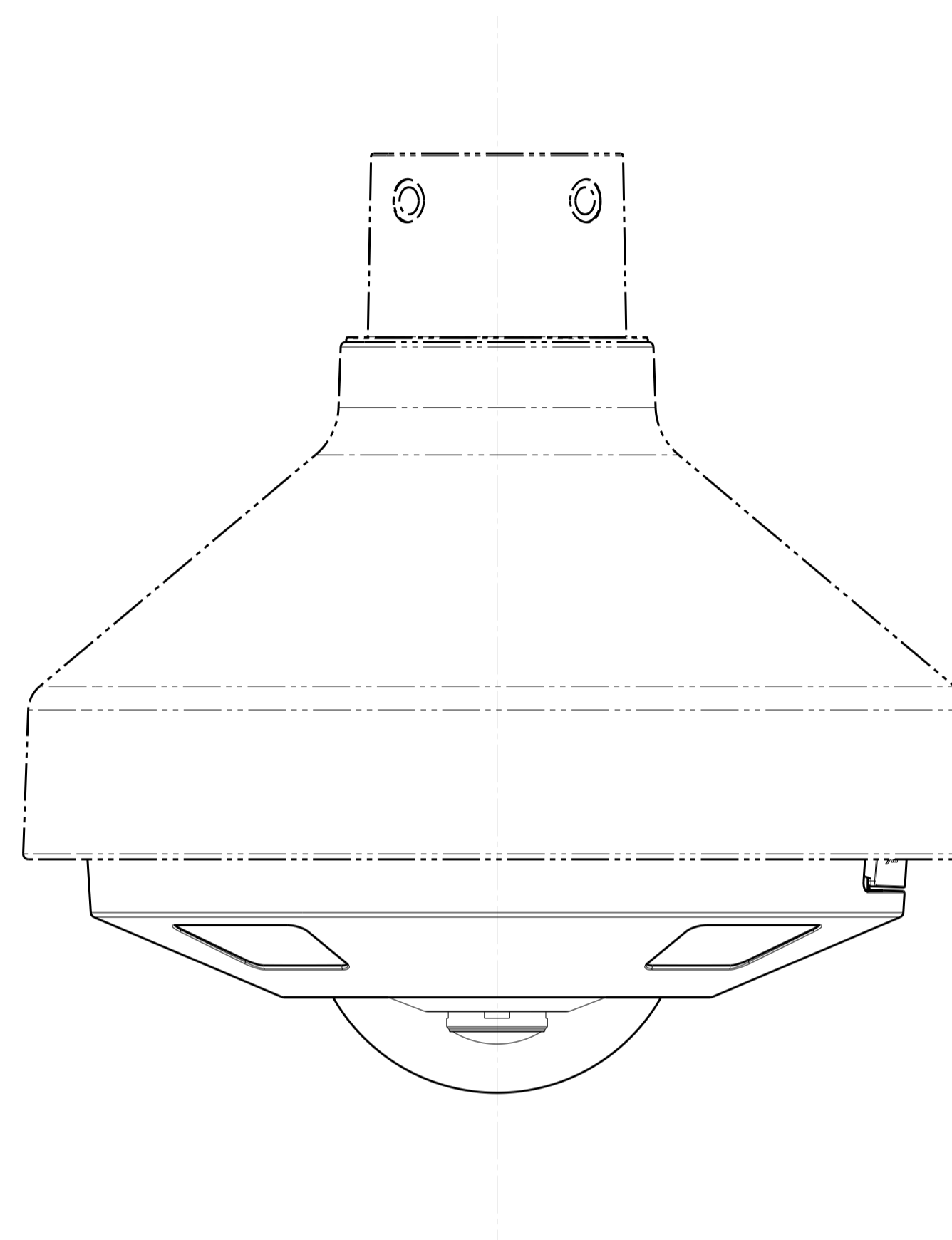
Mounting hole layout



金具との組み合わせ例
Example of combination with bracket

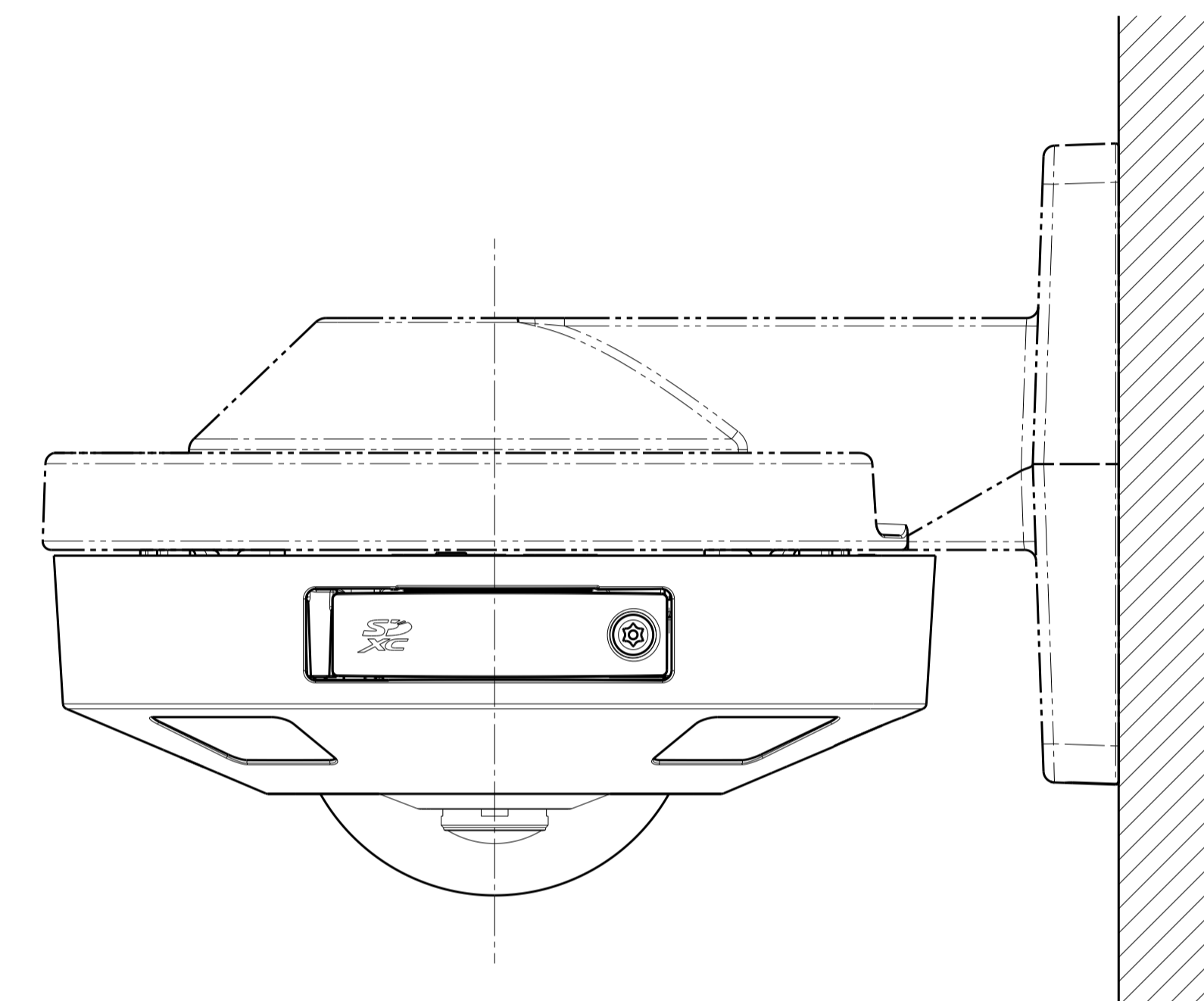


Attach to WV-Q105A



Attach to WV-QSR501-W

	投影面積/Projected area
側面図/Side-view	0.016 (m ²)



Attach to WV-QWL500-W

	投影面積/Projected area
側面図/Side-view	0.014 (m ²)