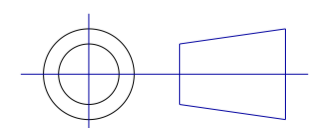
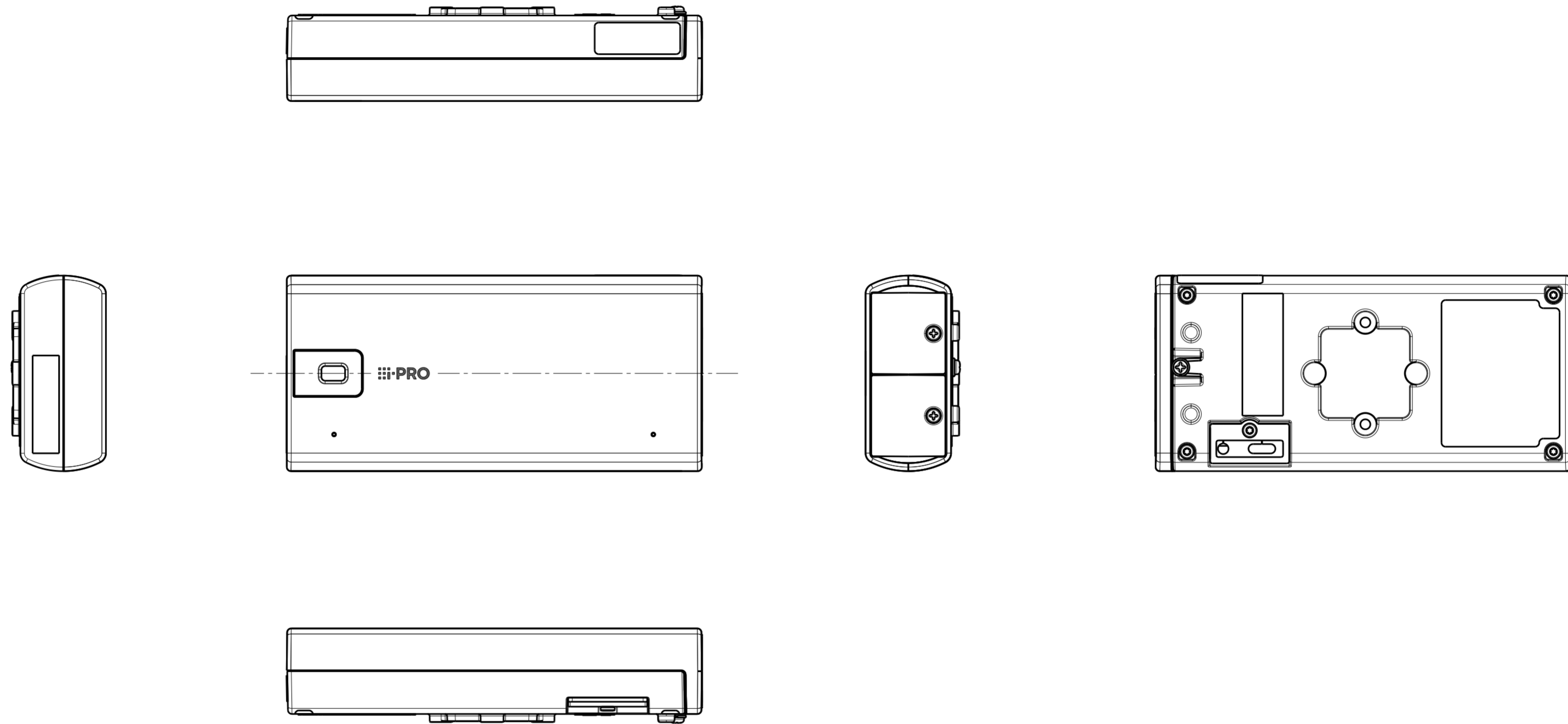


Mass : Approx. 185 g {0.41 lbs}

Unit : mm

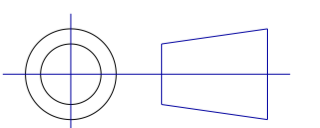


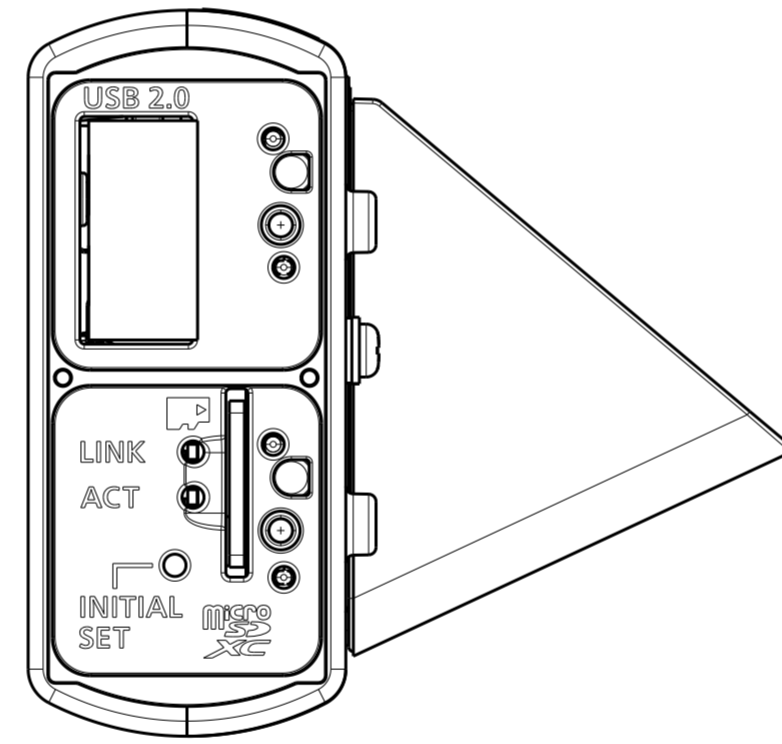
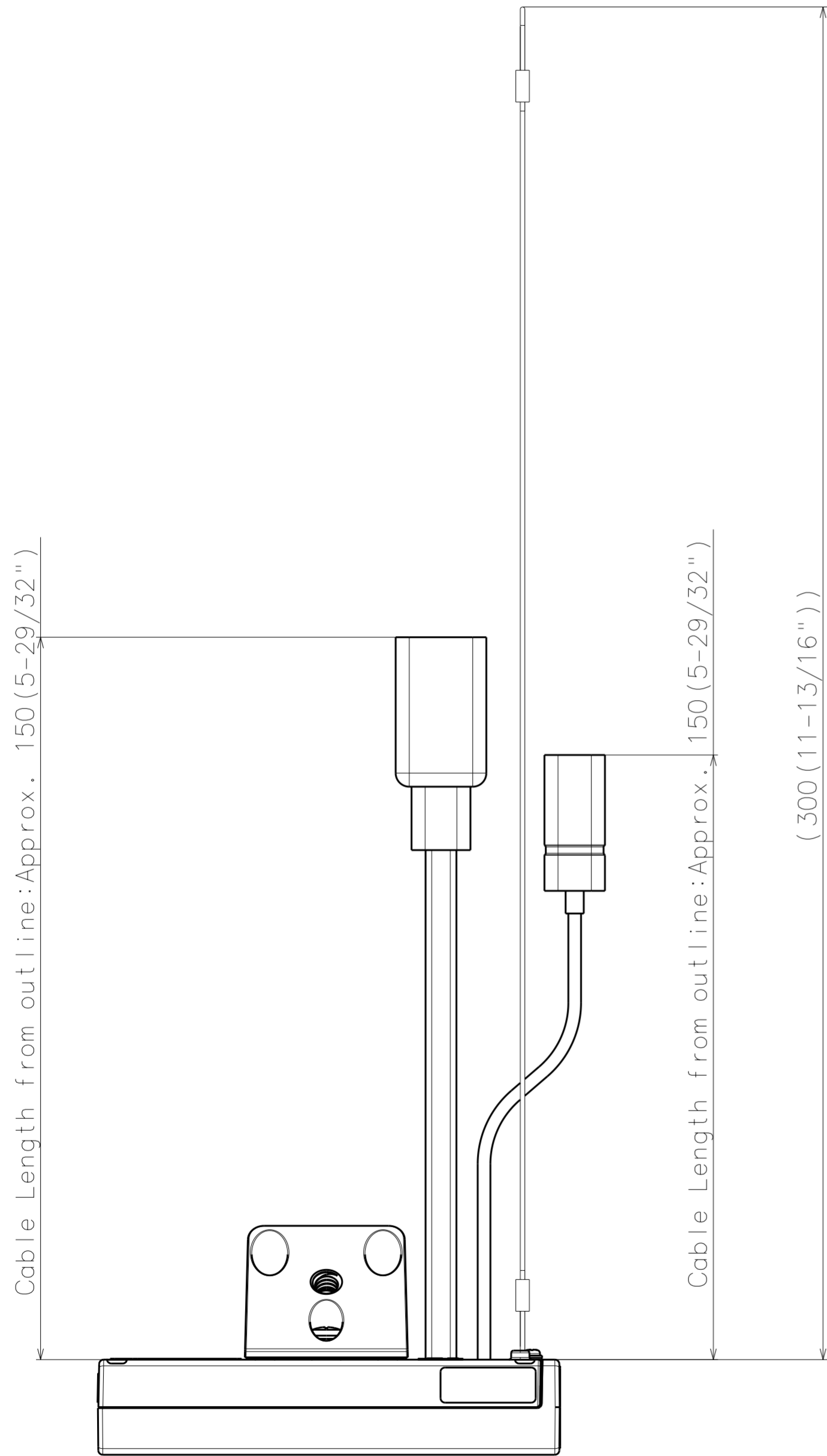


Without Mount base

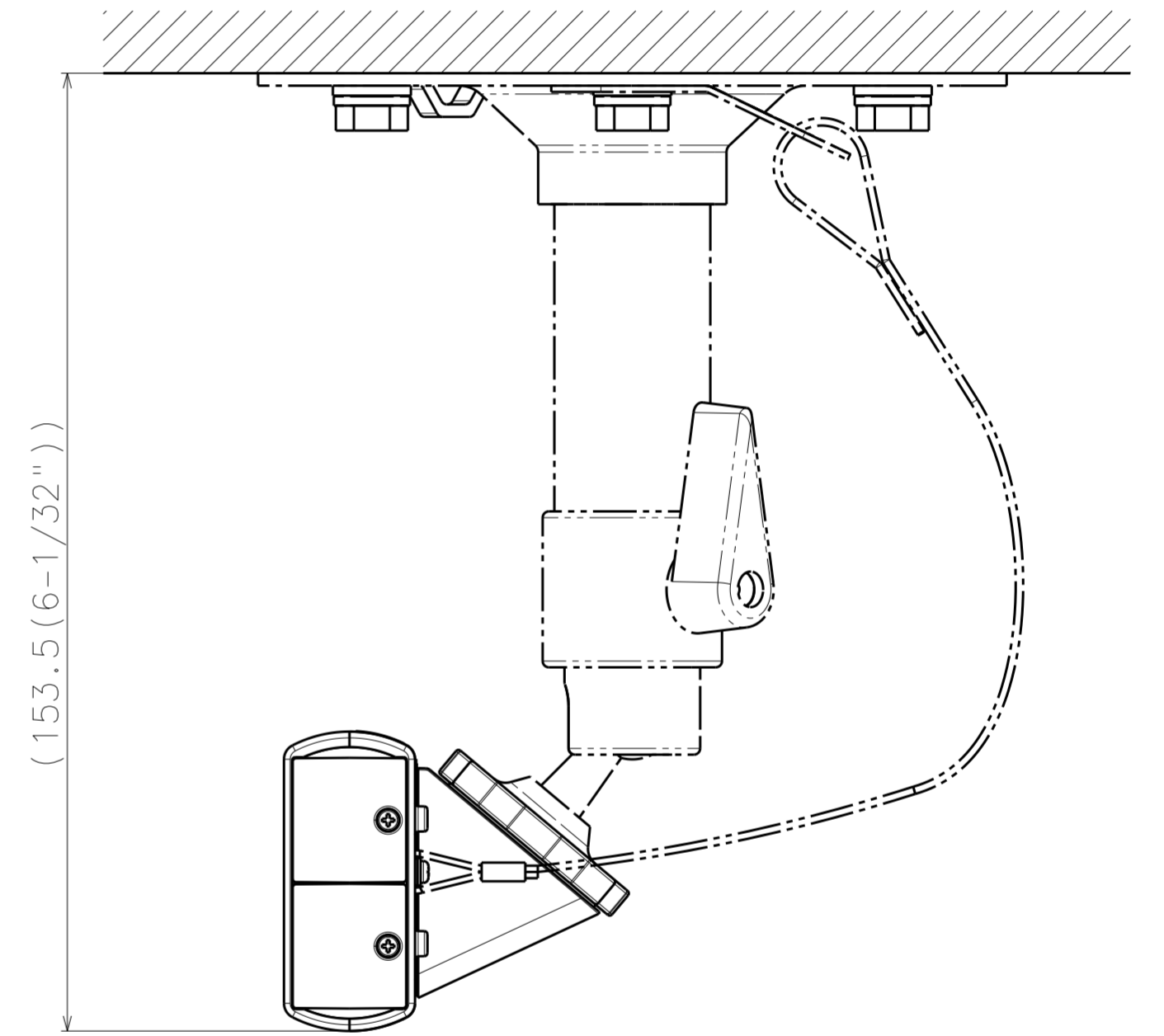
Mass : Approx. 157 g {0.35 lbs} (Without Mount base)

Unit : mm



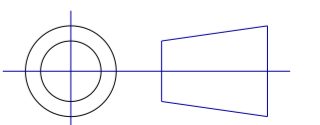


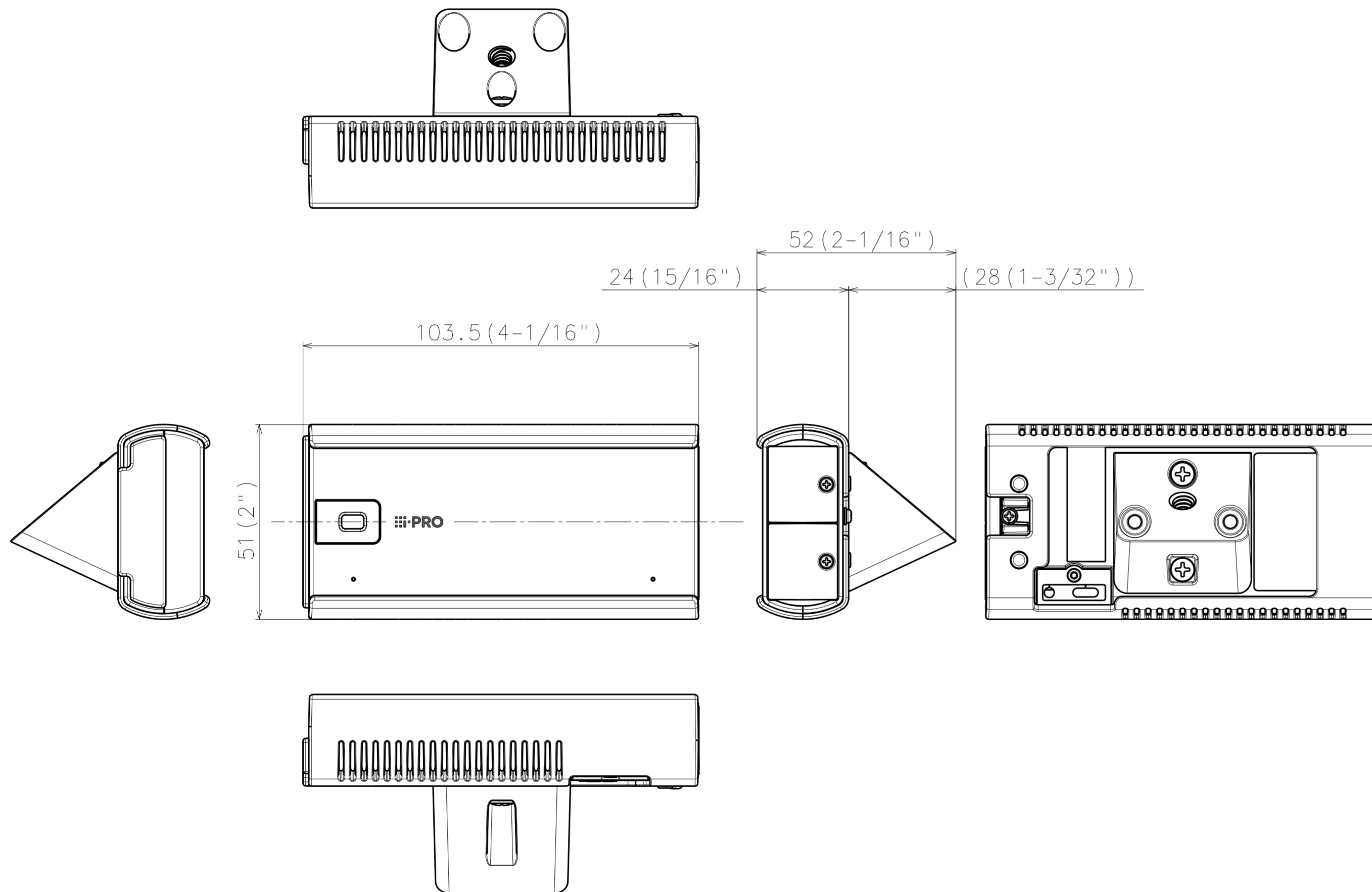
Inside of side cover
(S=2:1)



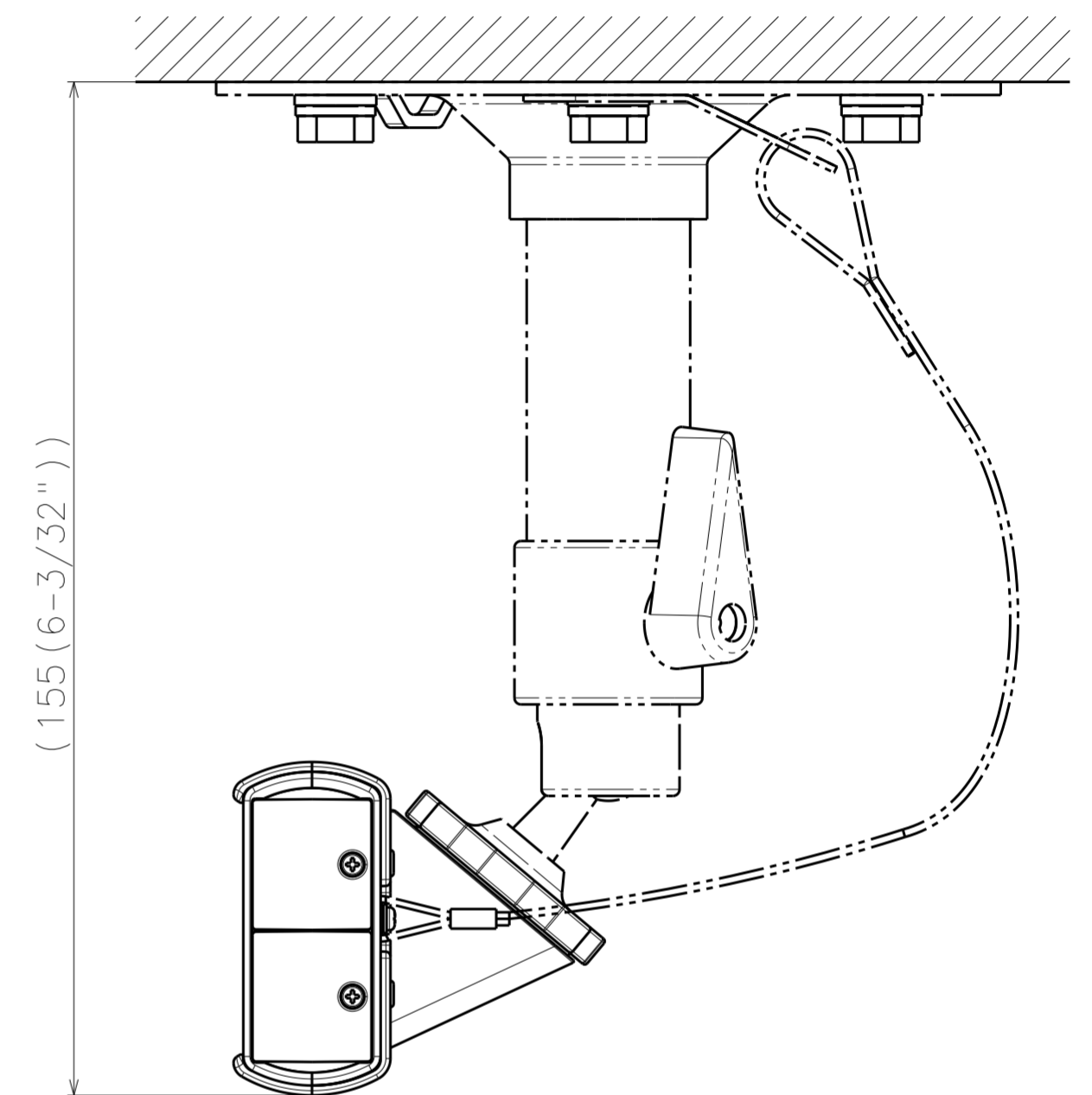
Attach to WV-Q180UX

Unit:mm





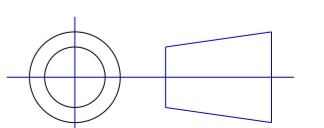
With Protection cover

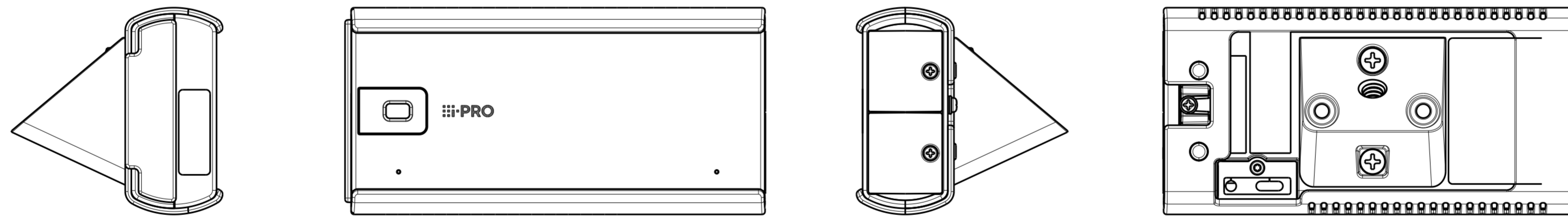
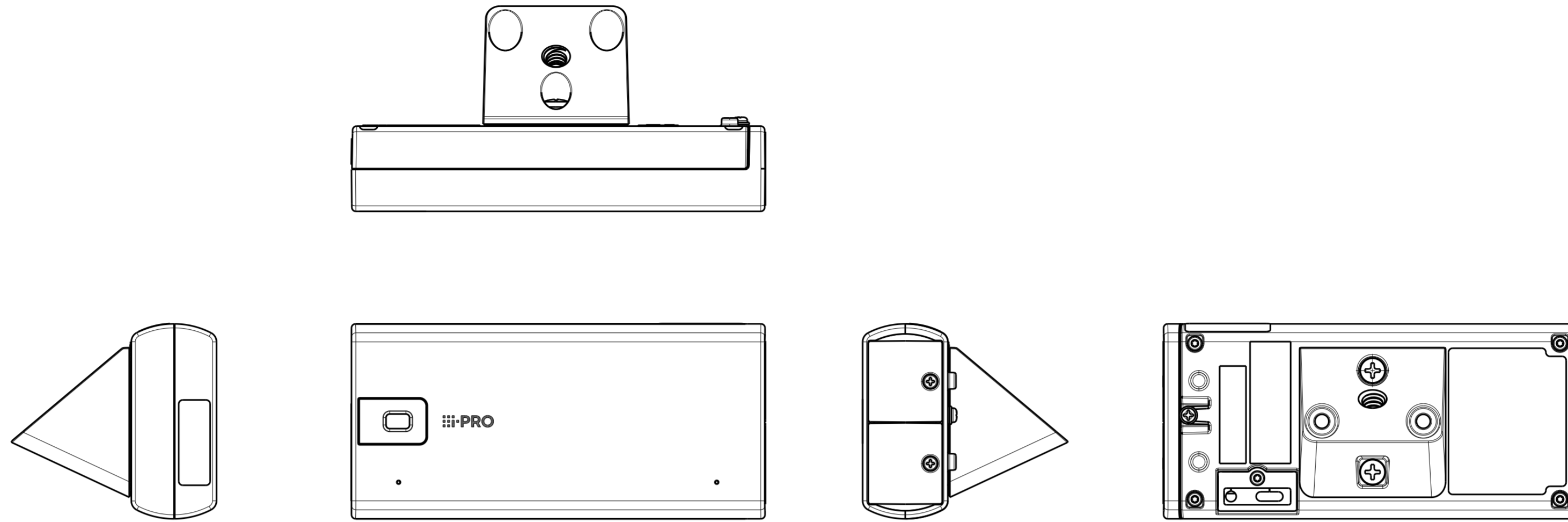


Attach to WV-Q180UX

Mass : Approx. 197 g {0.43 lbs}
 Approx. 169 g {0.37 lbs} (Without Mount base)

Unit : mm





With Protection cover

Unit:mm

