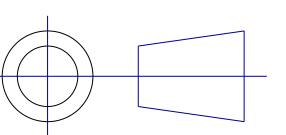


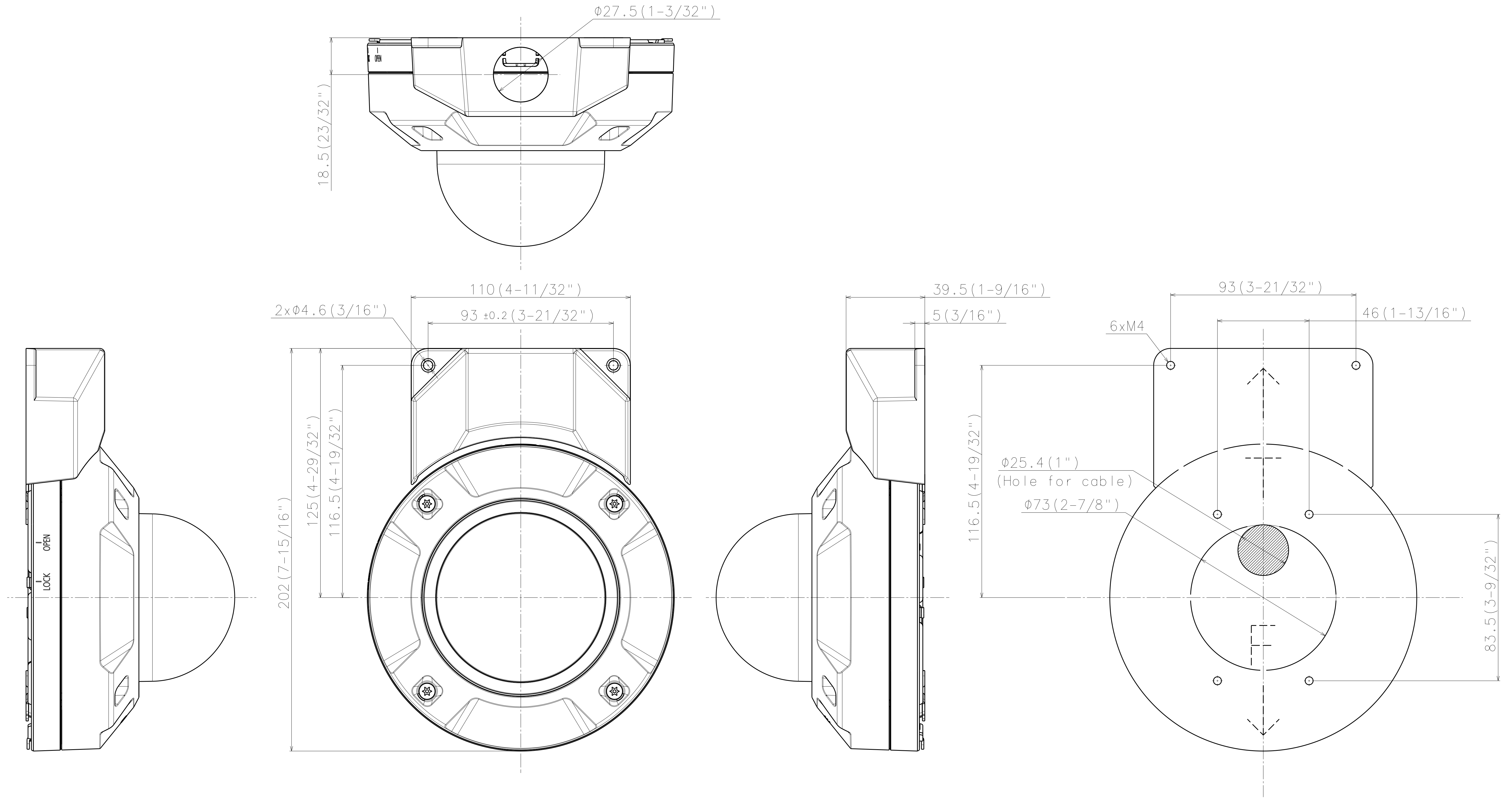
	投影面積/Projected area
側面図/Side-view	0.011 (m ²)

Mass : Approx. 1.1 kg {2.43 lbs} (Excluding attachment for the conduit portion)

With Attachment plate

Unit:mm





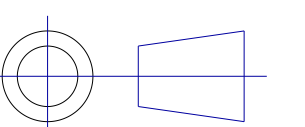
With Attachment for the conduit

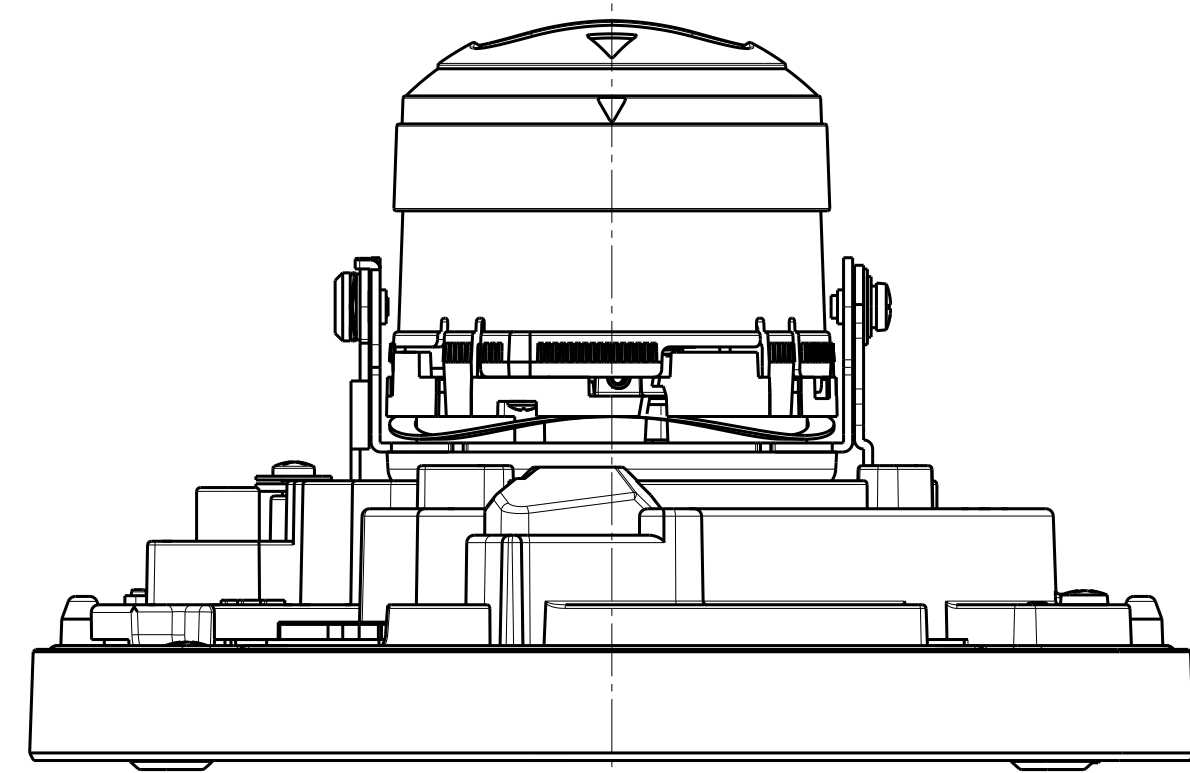
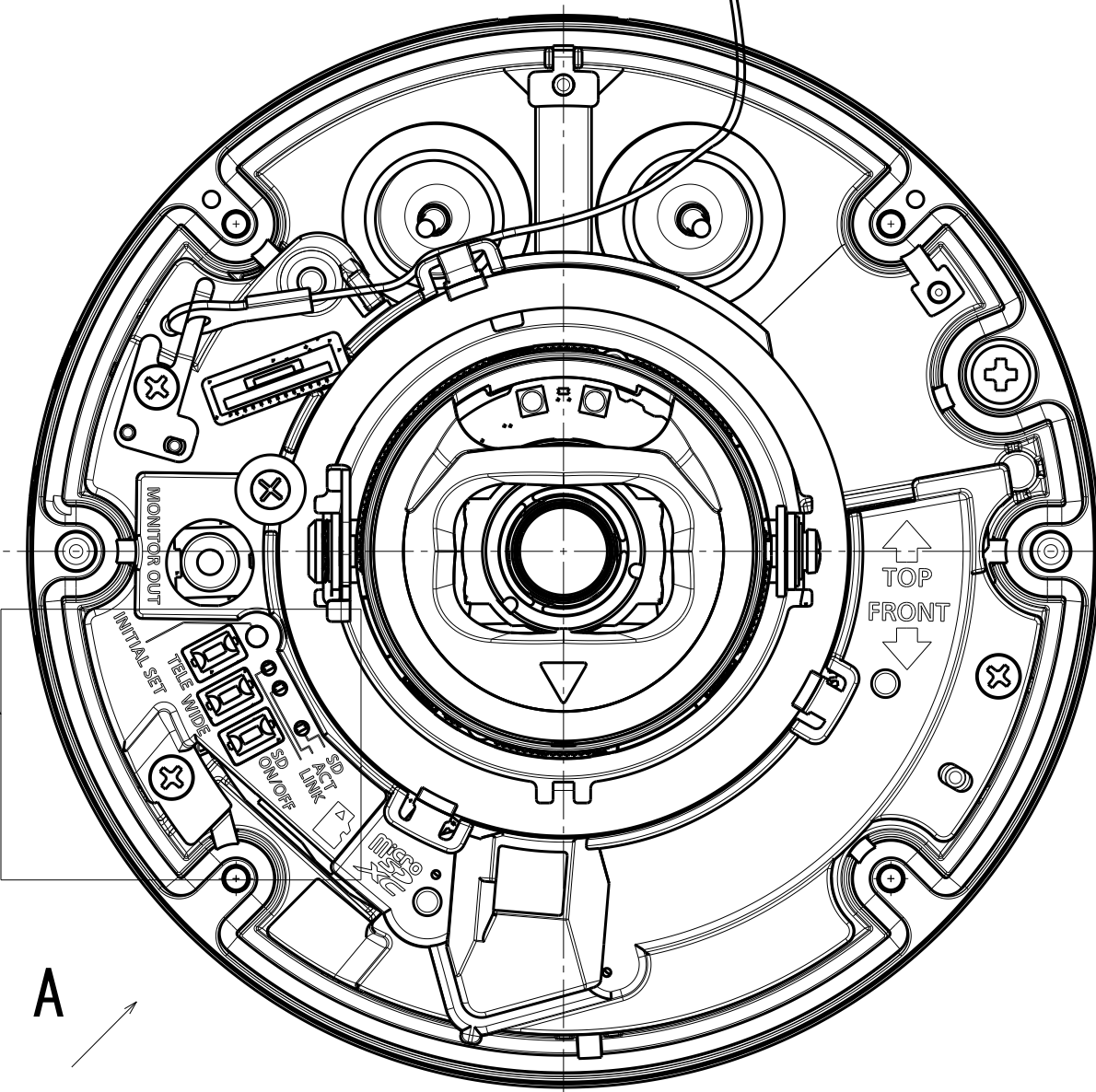
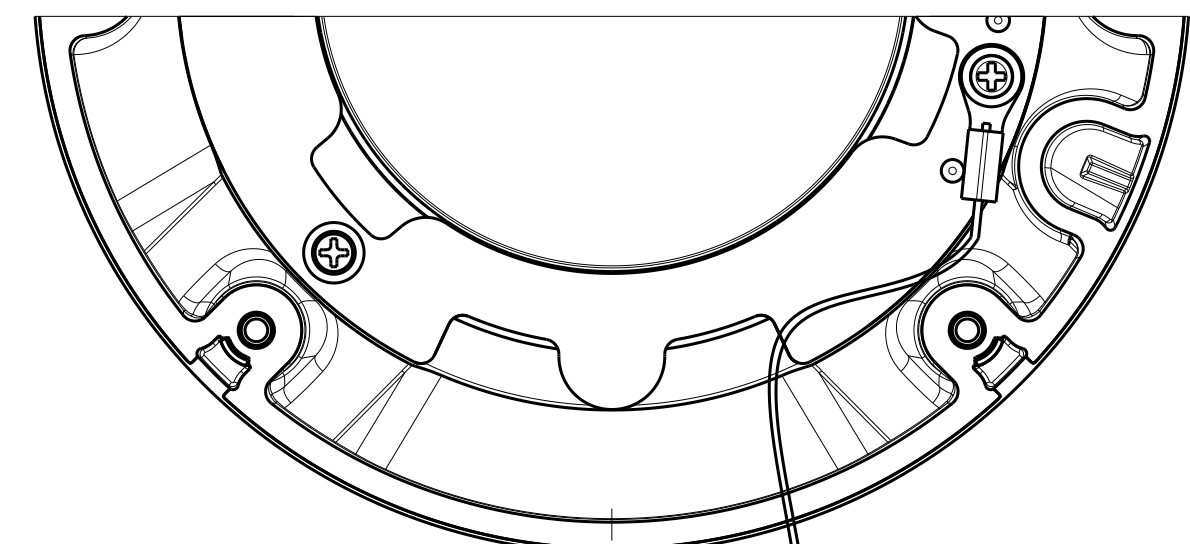
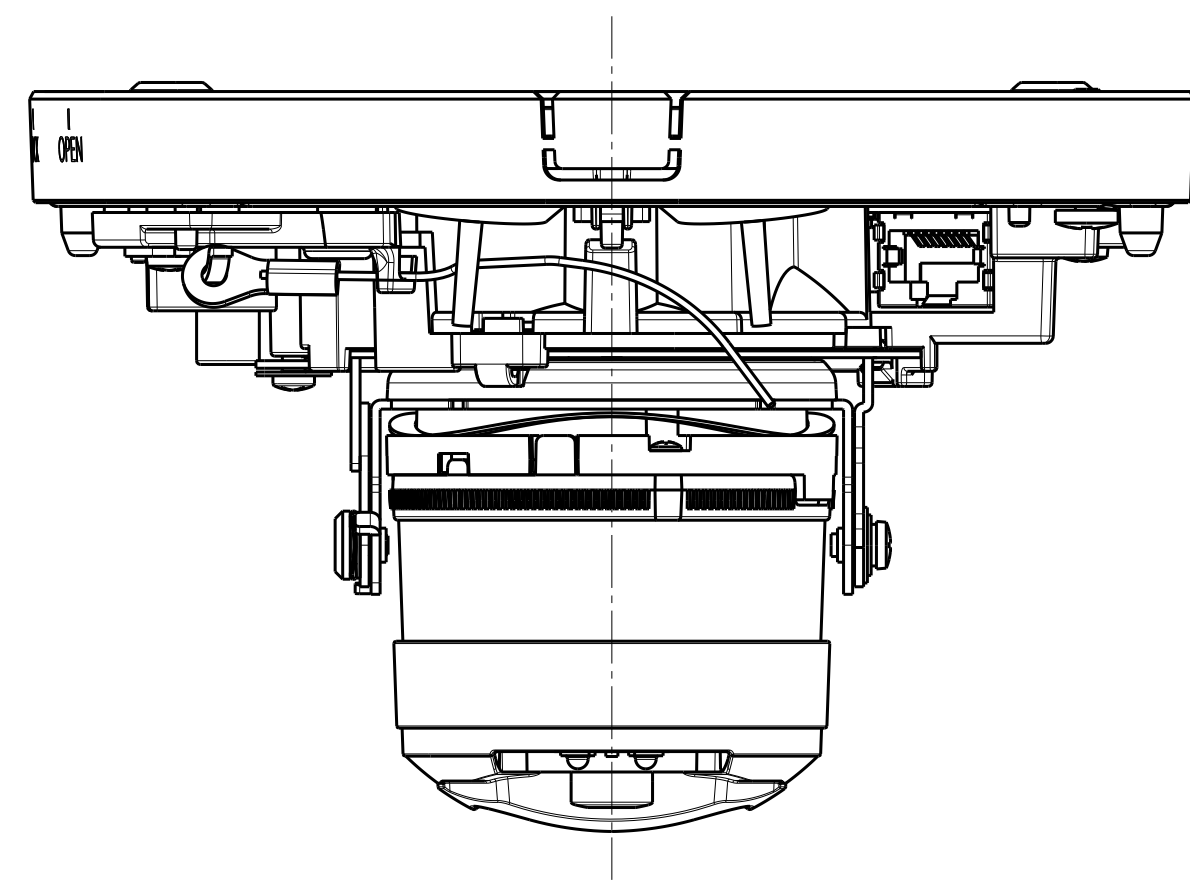
Template for mounting

	投影面積/Projected area
側面図/Side-view	0.013 (m ²)

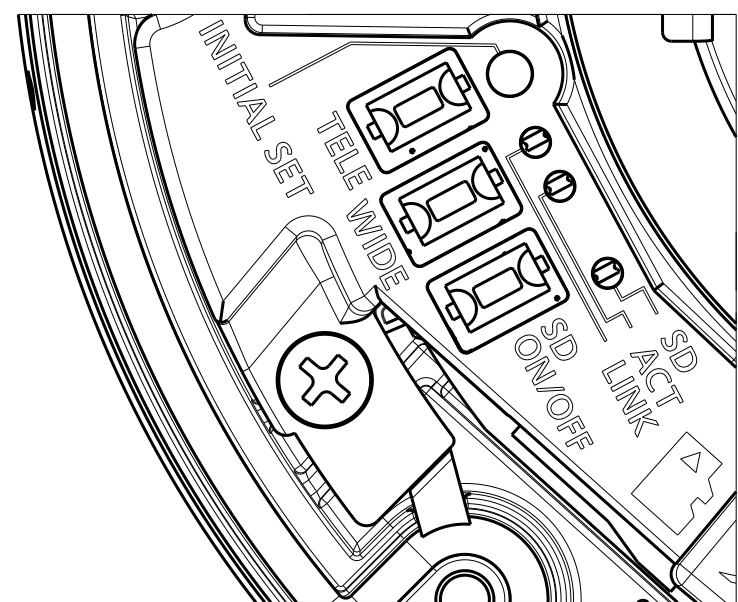
Mass : Approx. 1.15 kg {2.54 lbs} (With Attachment for the conduit)

Unit:mm

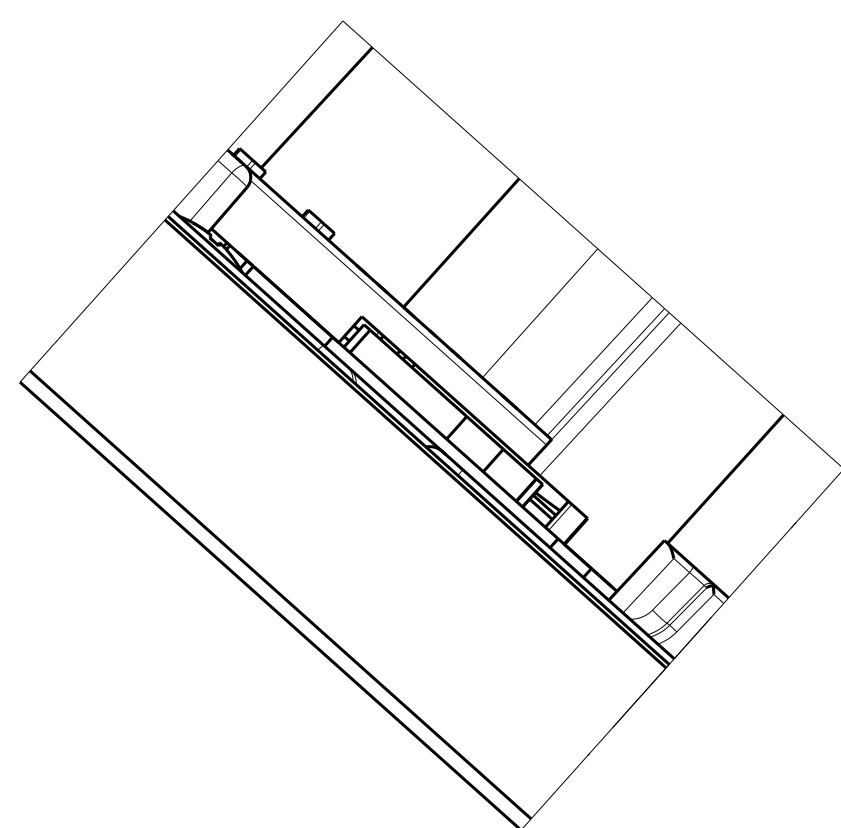




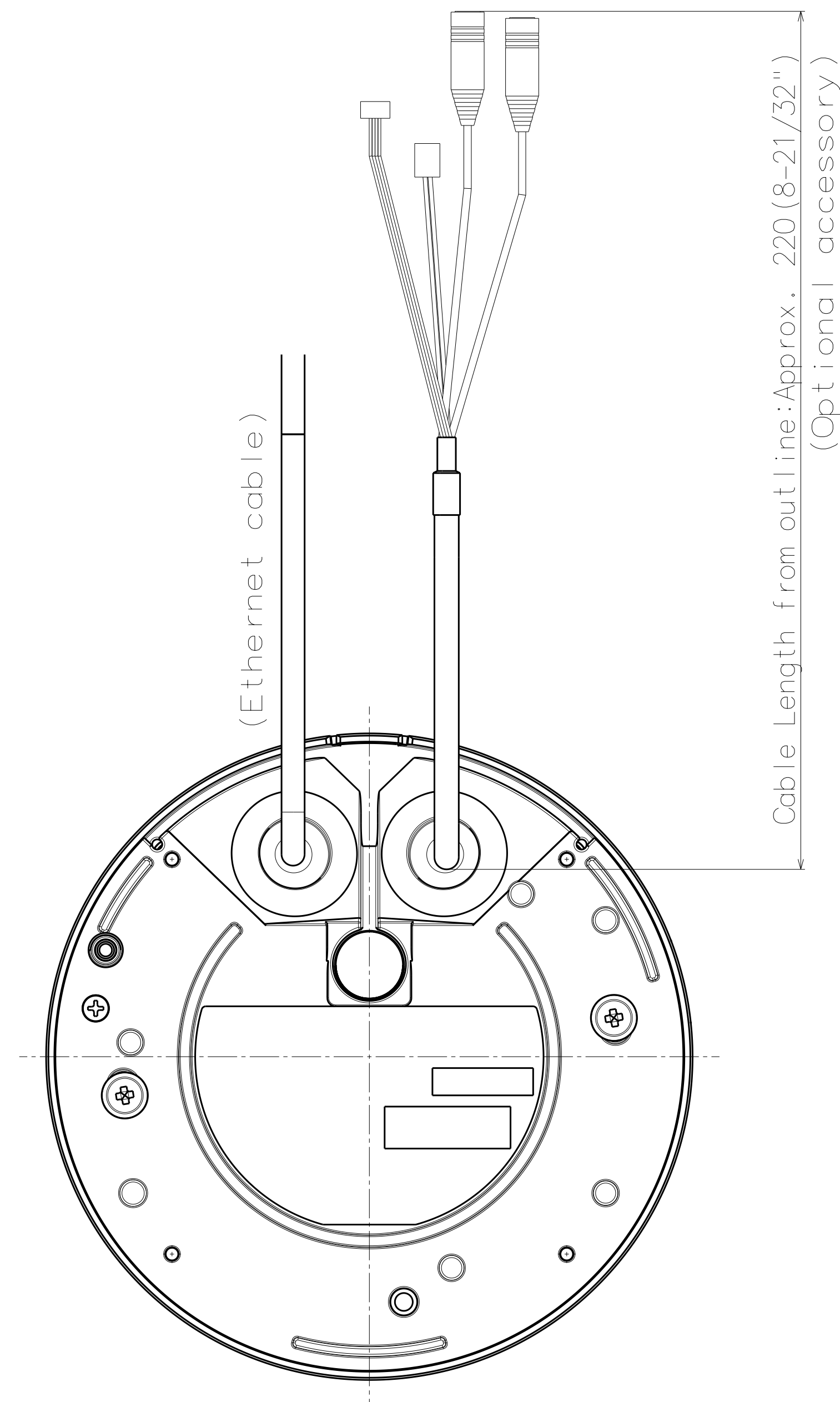
Without Enclosure



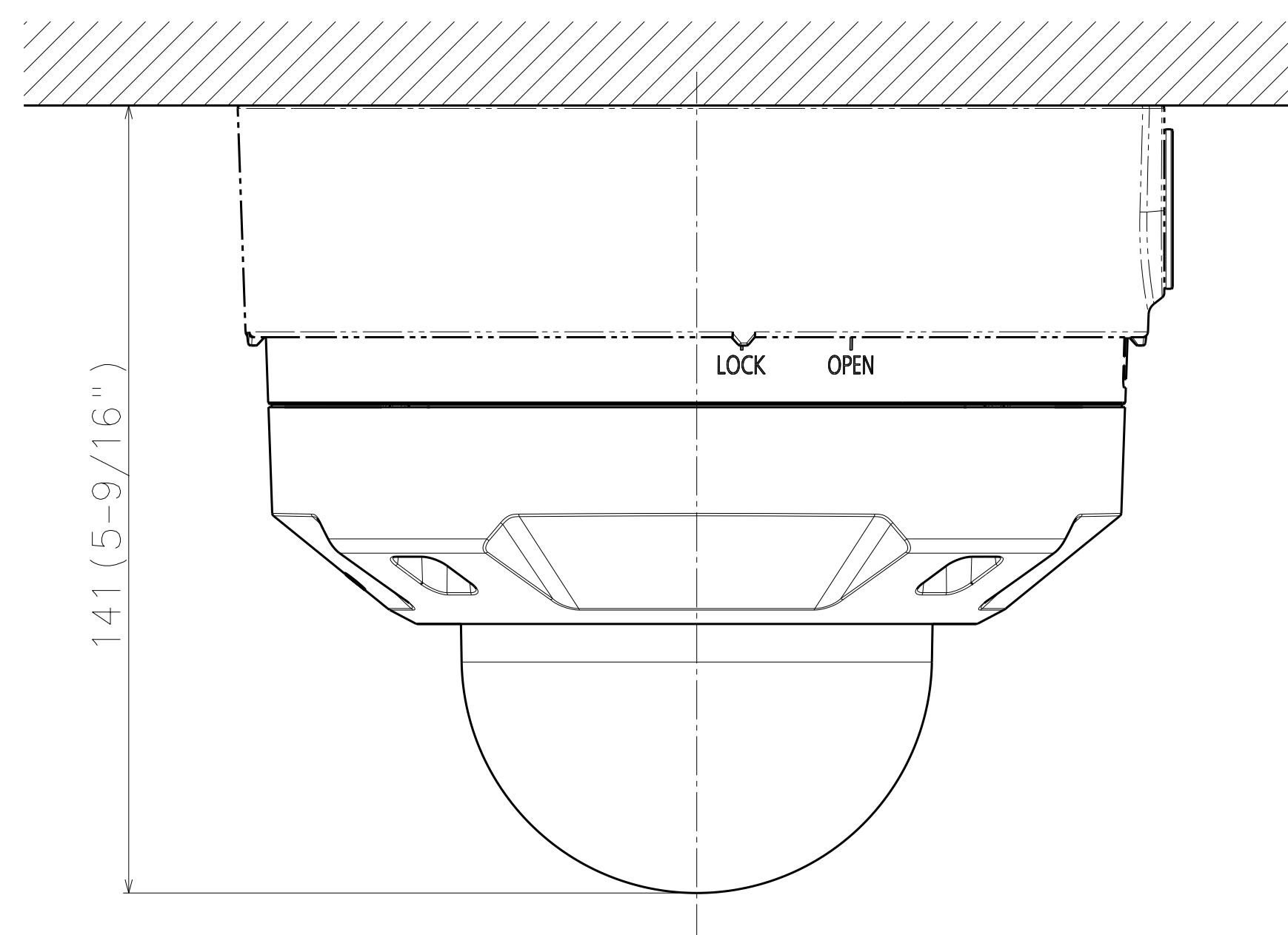
Detail B (2:1)



View A (2:1)

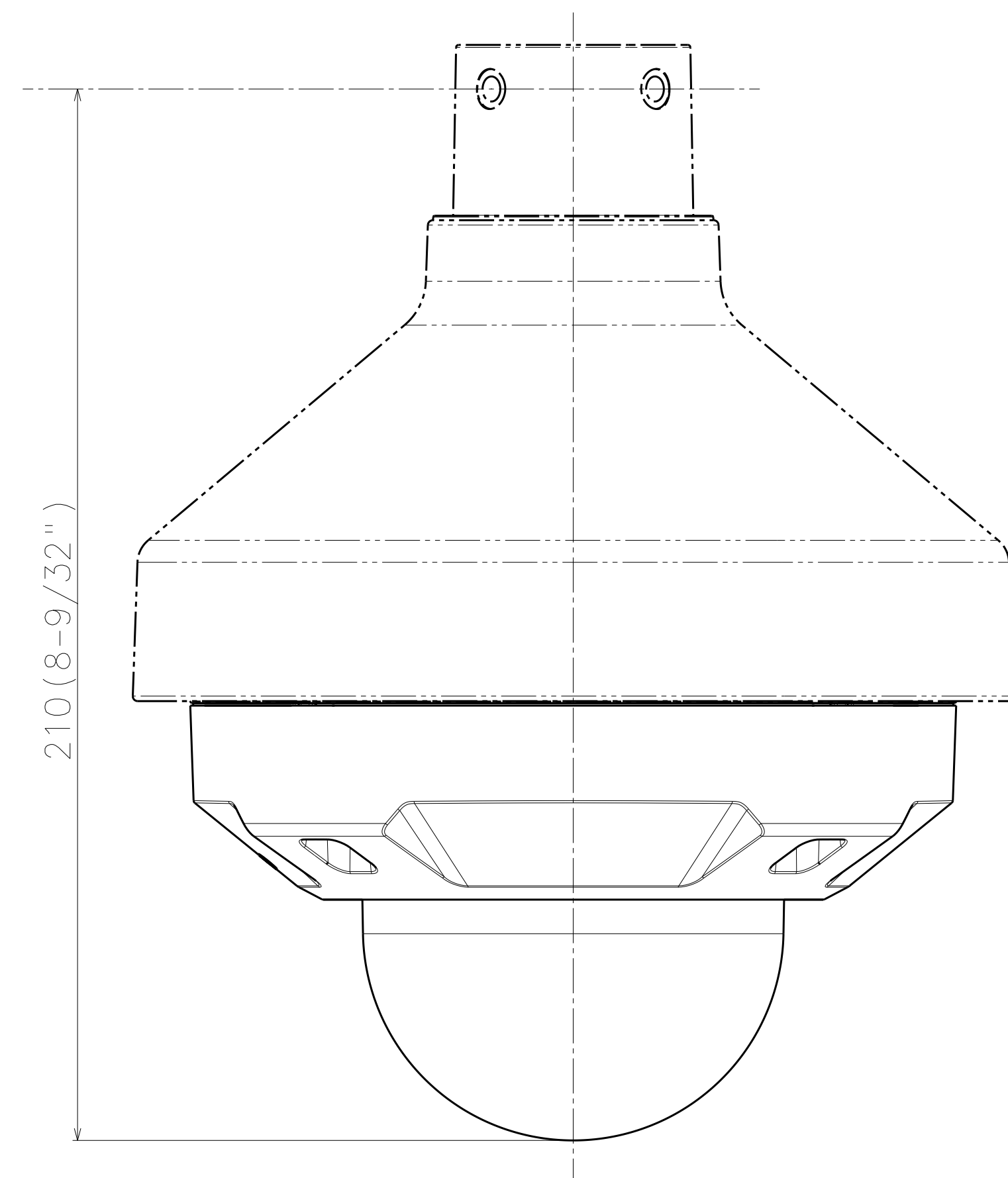


金具との組み合わせ例
Example of combination with bracket



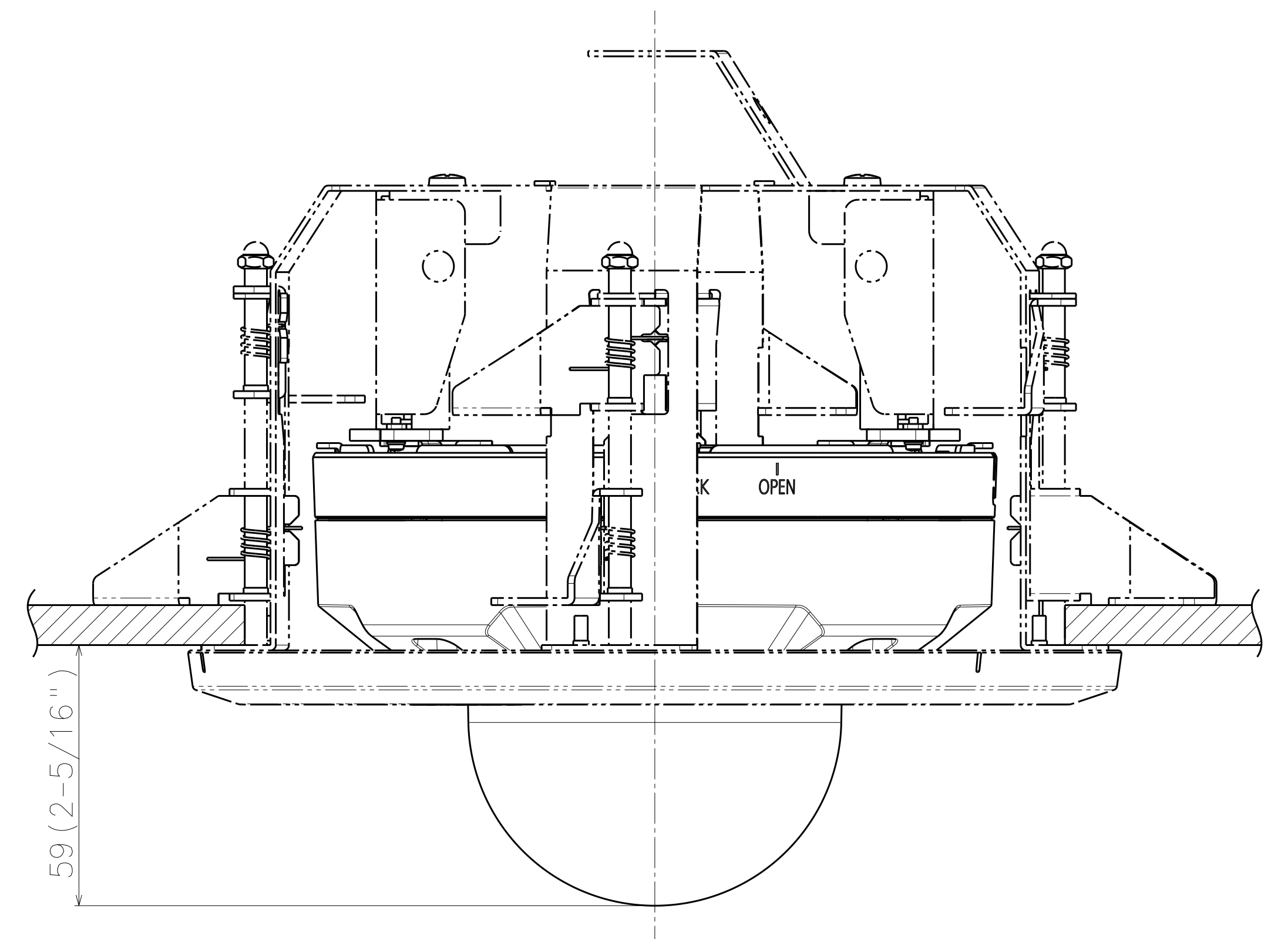
Attach to WV-QJB501-W

側面図/Side-view	投影面積/Projected area 0.017 (m ²)
---------------	--

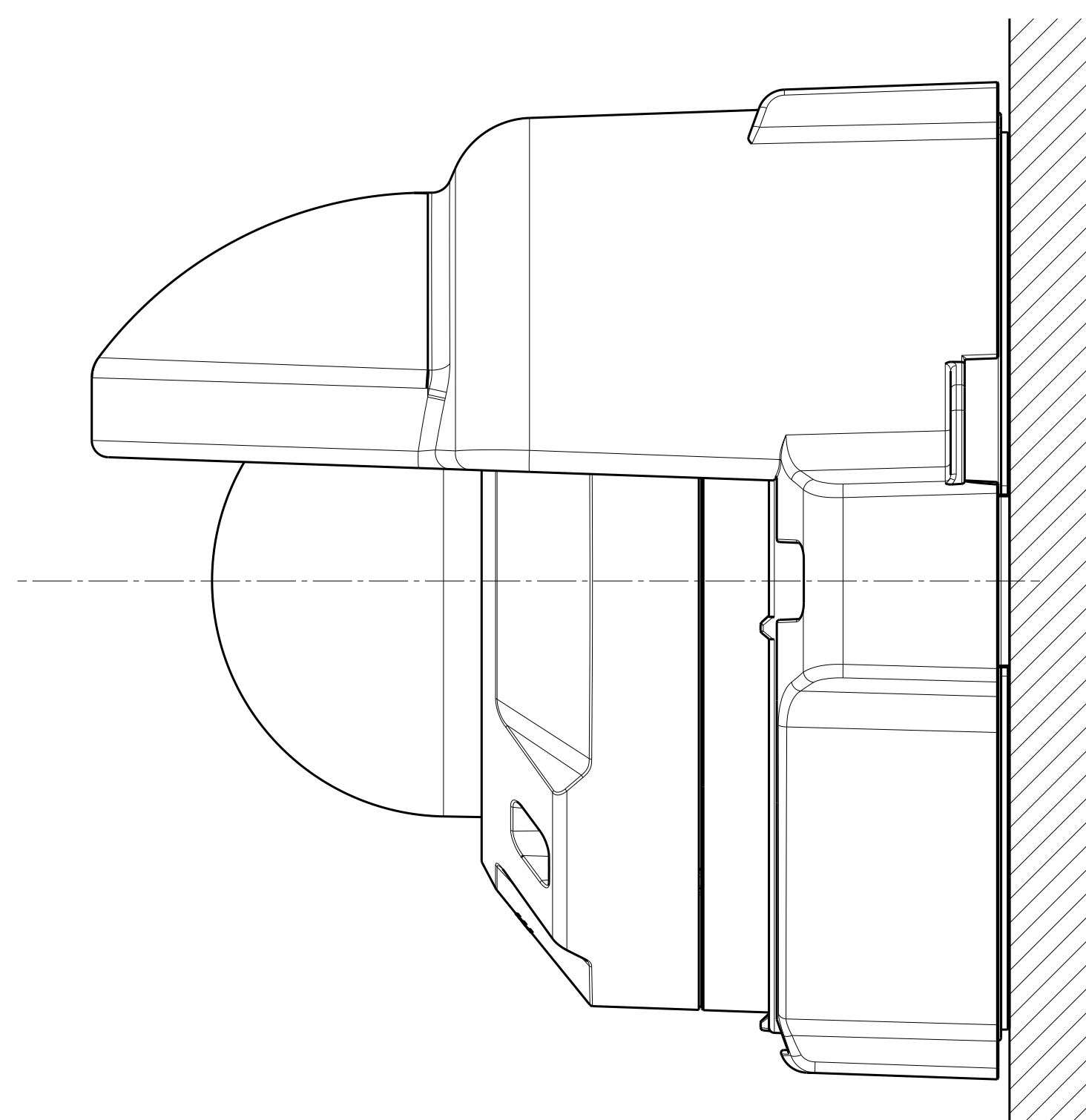


Attach to WV-QSR501-W

側面図/Side-view	投影面積/Projected area 0.021 (m ²)
---------------	--

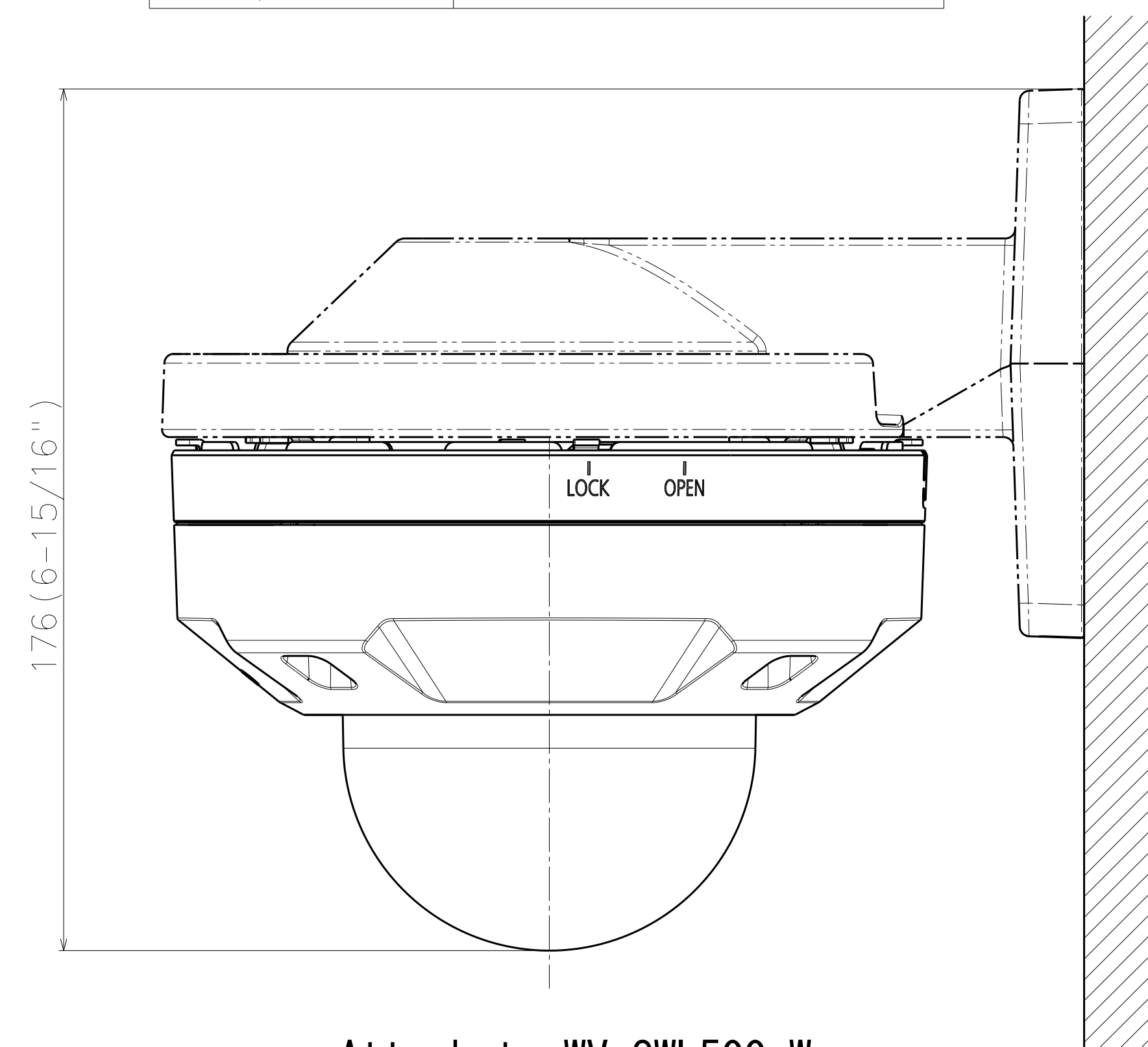


Attach to WV-QEM500-W



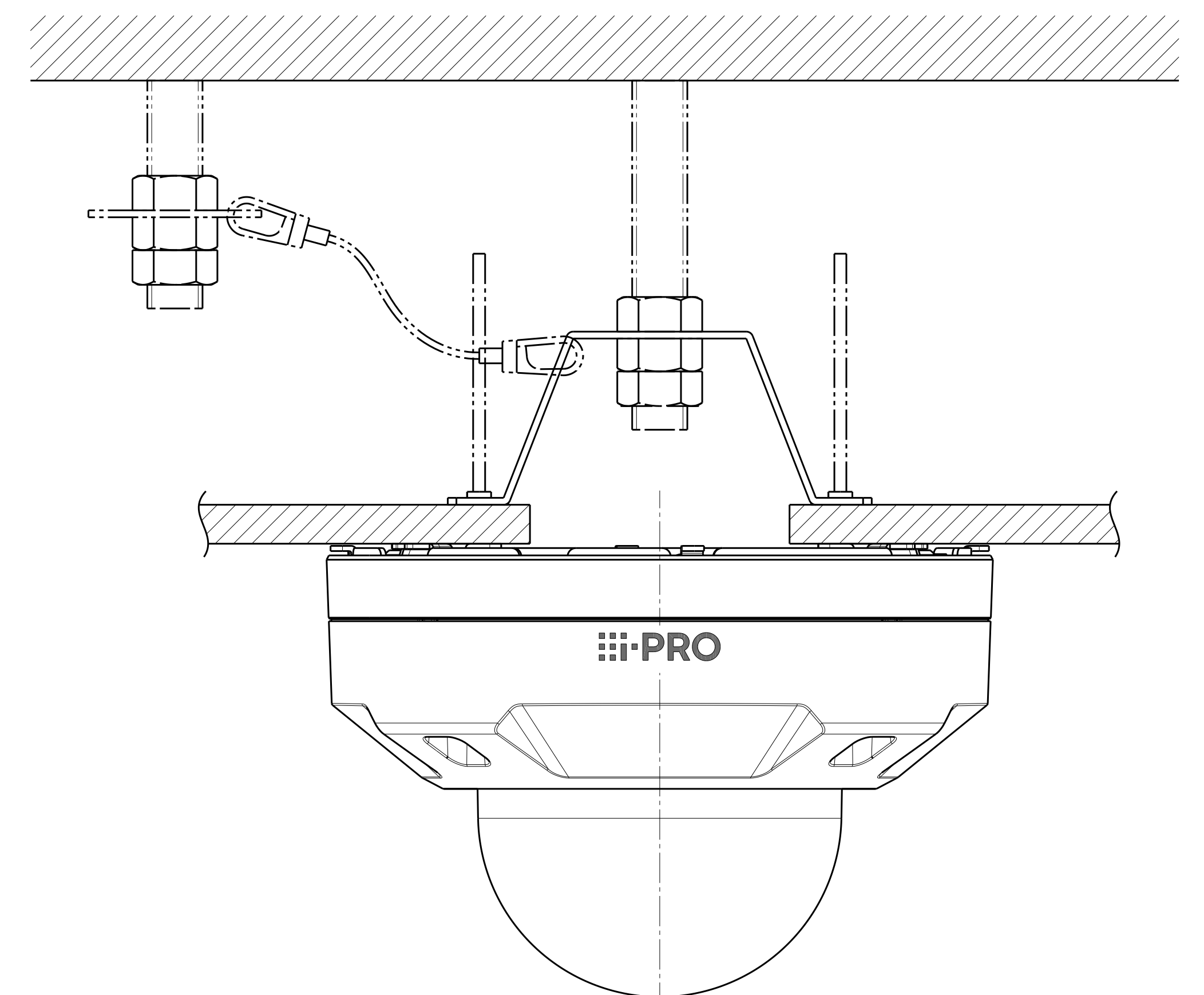
Attach to WV-QJB501-W & WV-QSR500-W

側面図/Side-view	投影面積/Projected area 0.021 (m ²)
---------------	--



Attach to WV-QWL500-W

側面図/Side-view	投影面積/Projected area 0.019 (m ²)
---------------	--



Attach to WV-Q105A

Unit:mm

