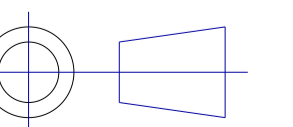
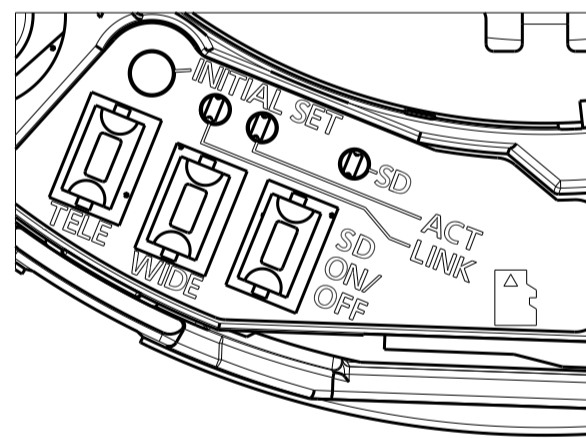


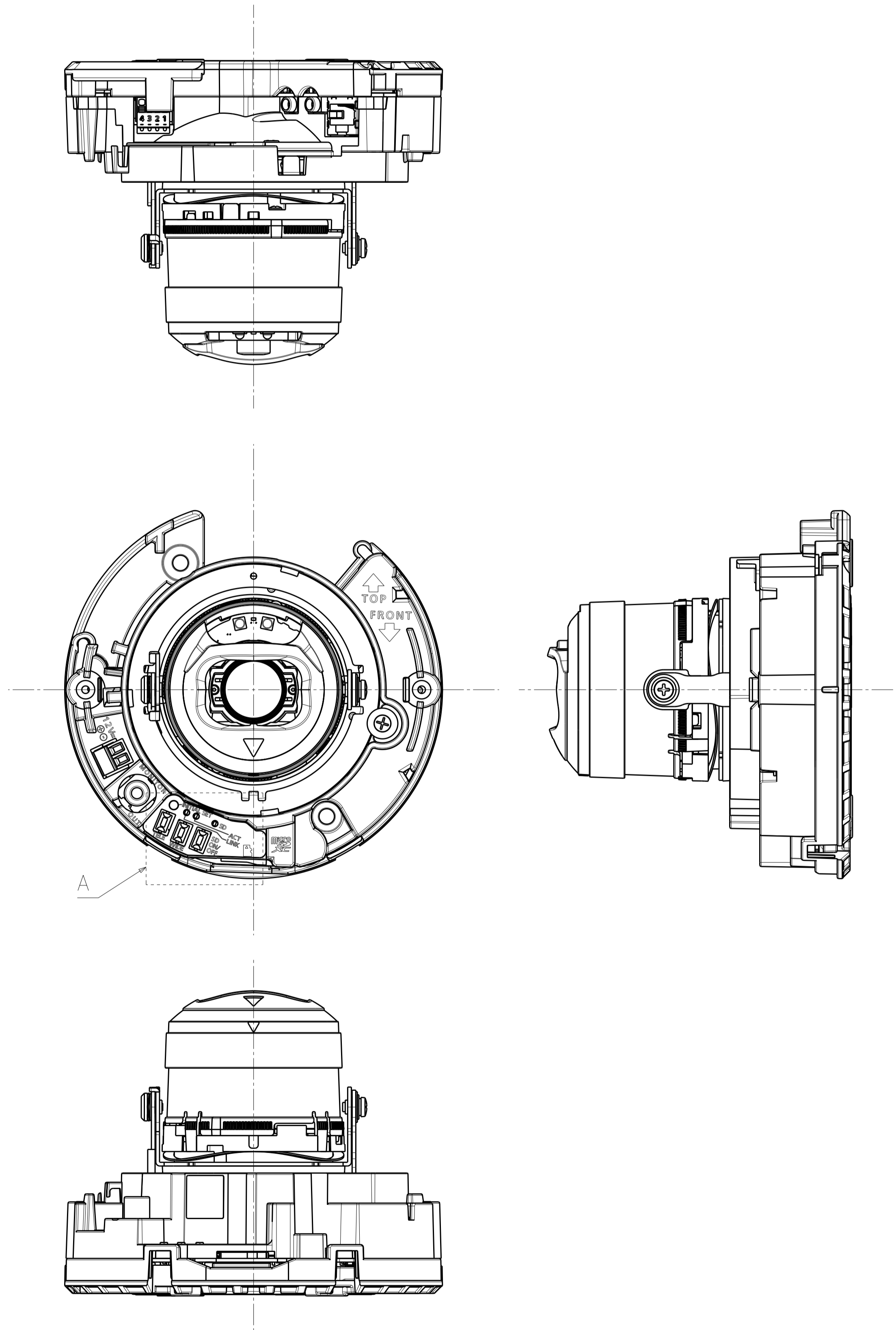
Mass : Approx. 470 g {1.04 lbs}

Unit:mm



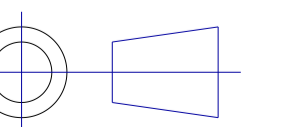


DetailA (2:1)

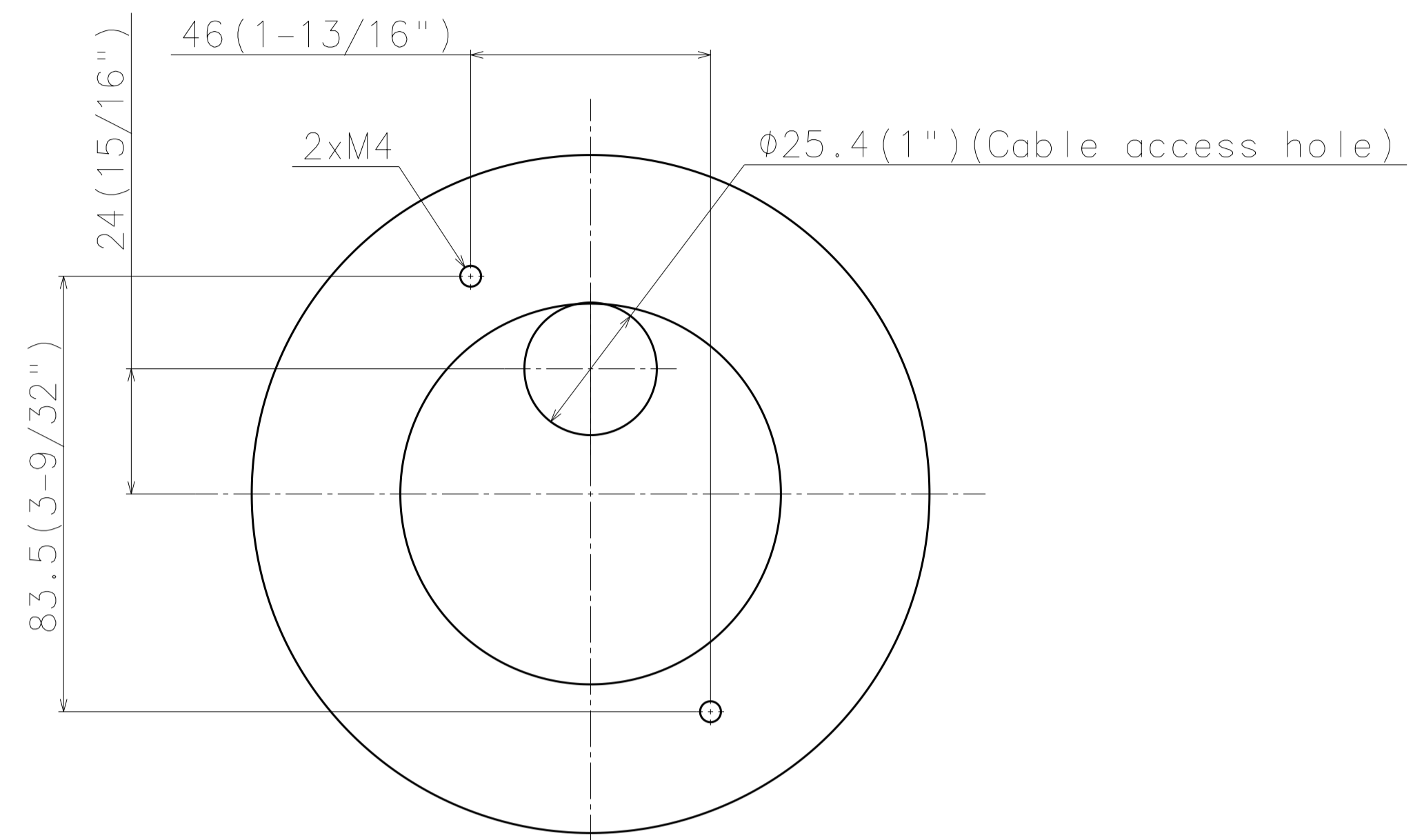


Without Enclosure

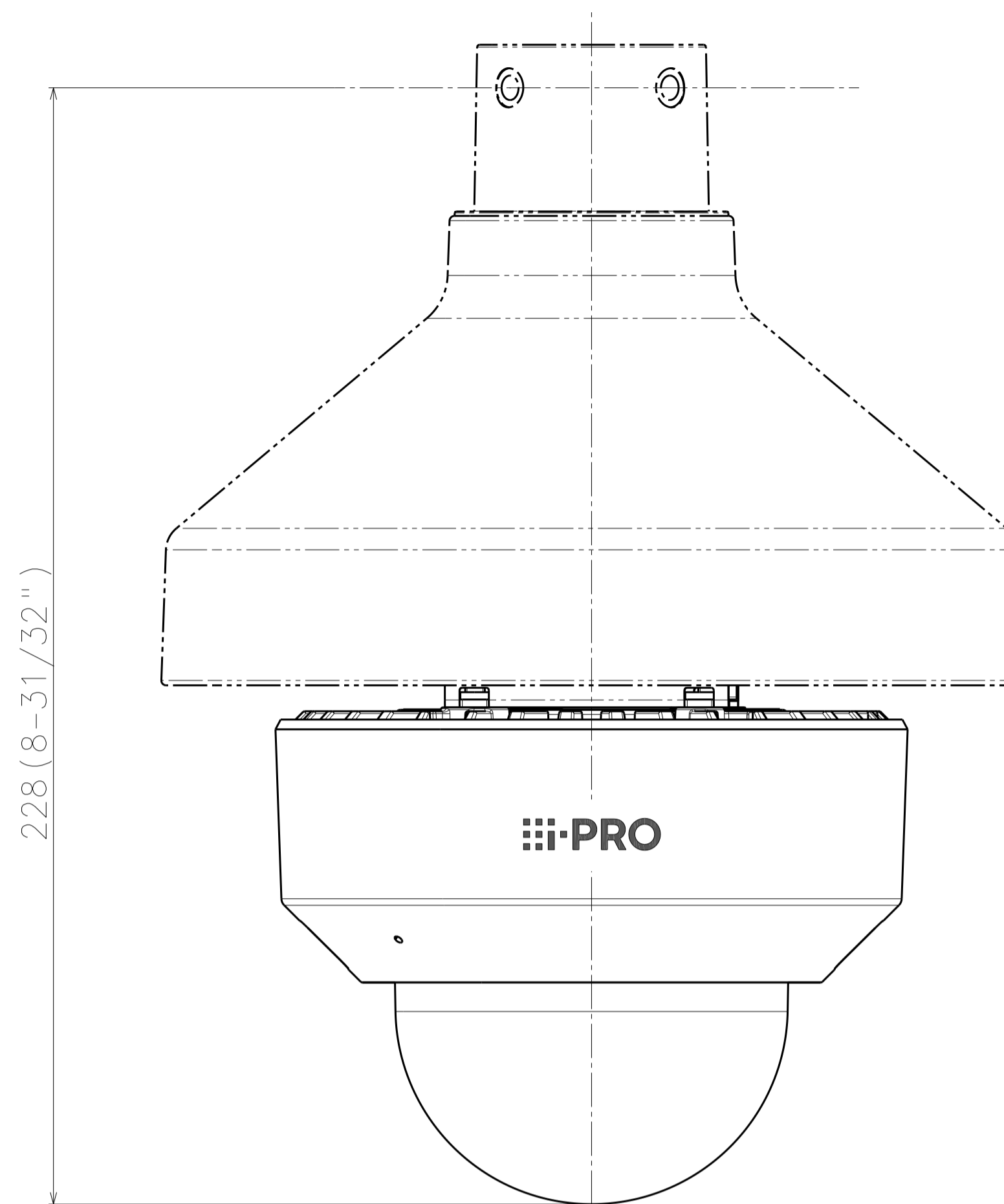
Unit:mm



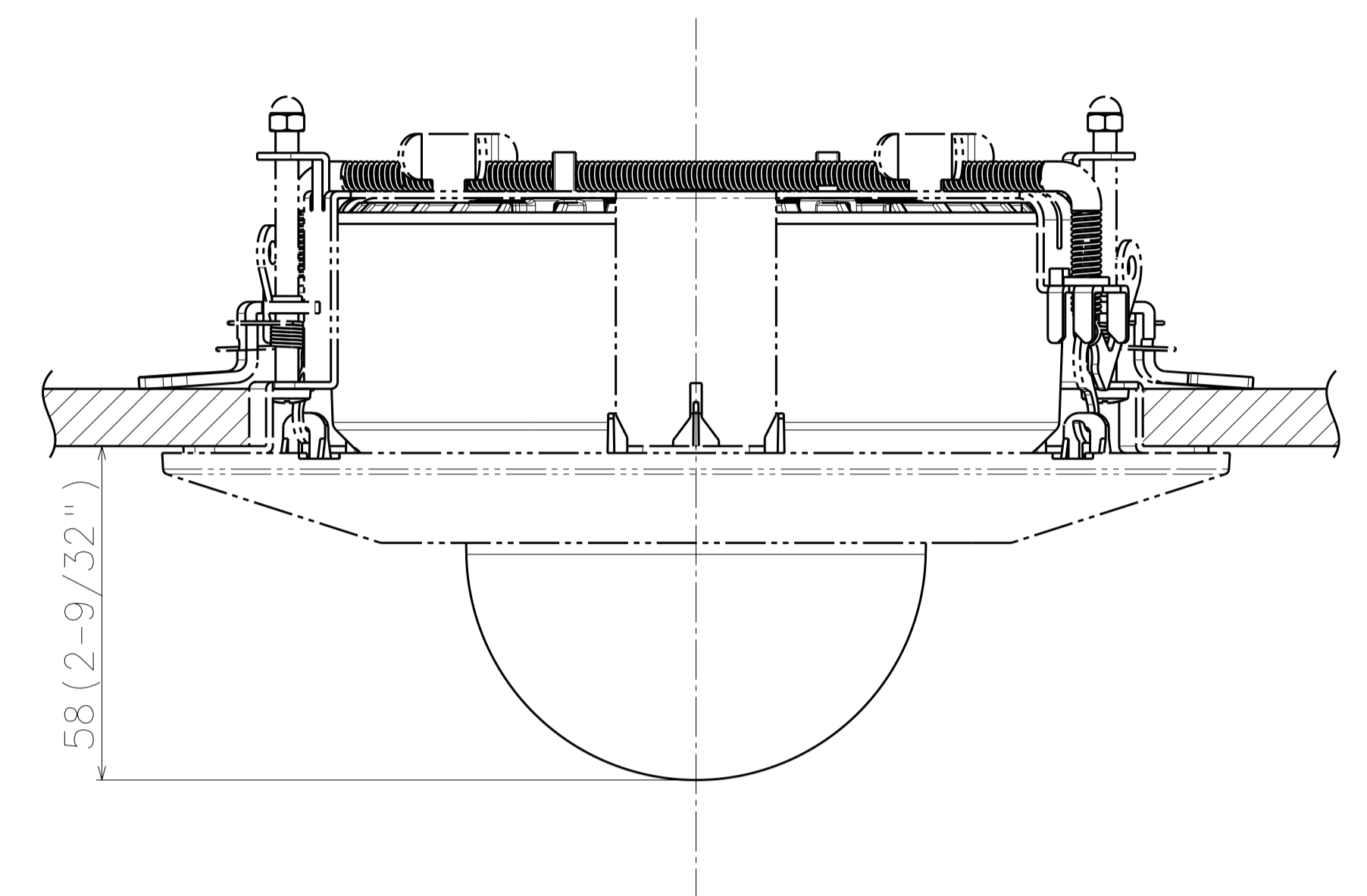
金具との組み合わせ例
Example of combination with bracket



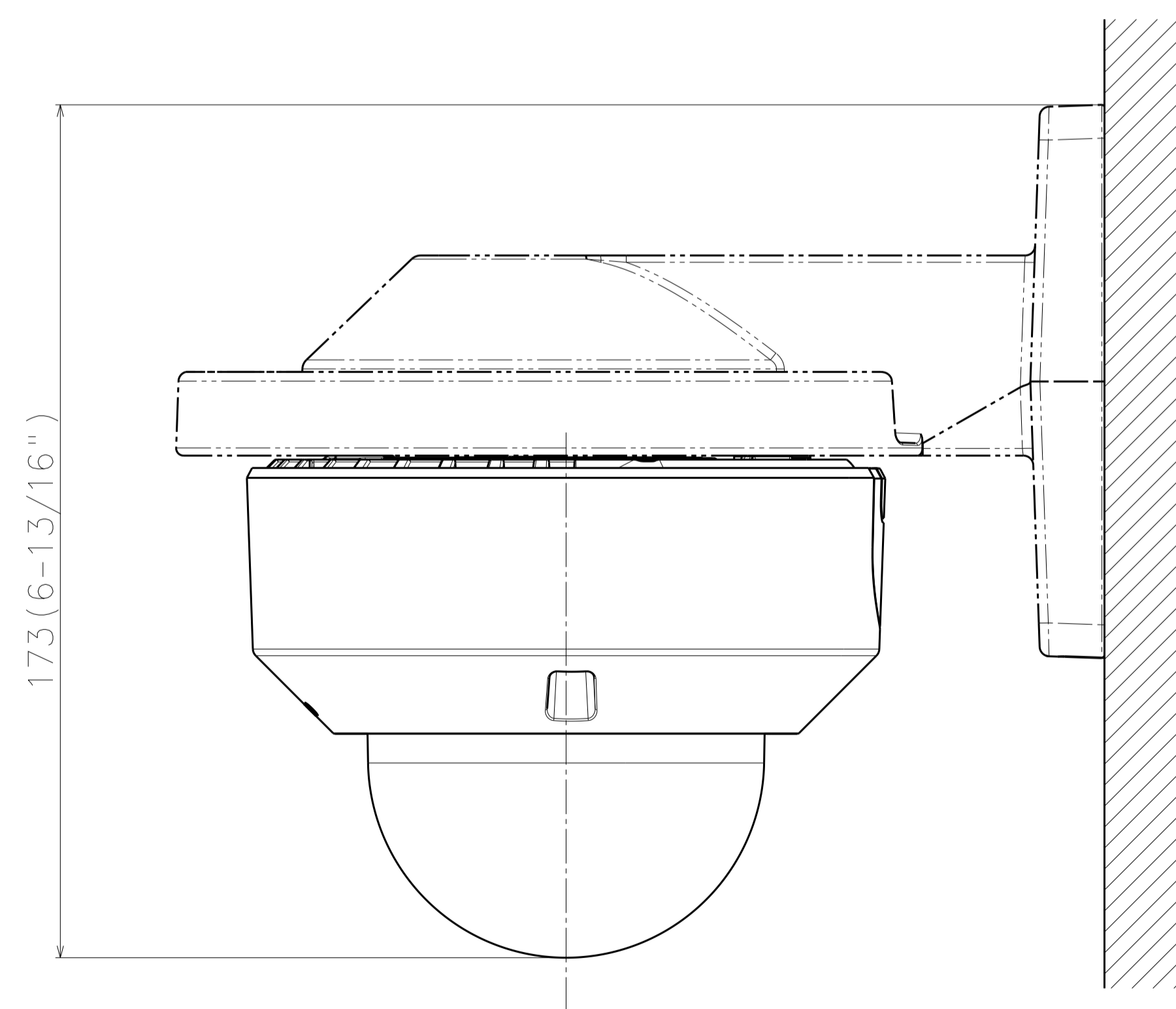
Template for mounting



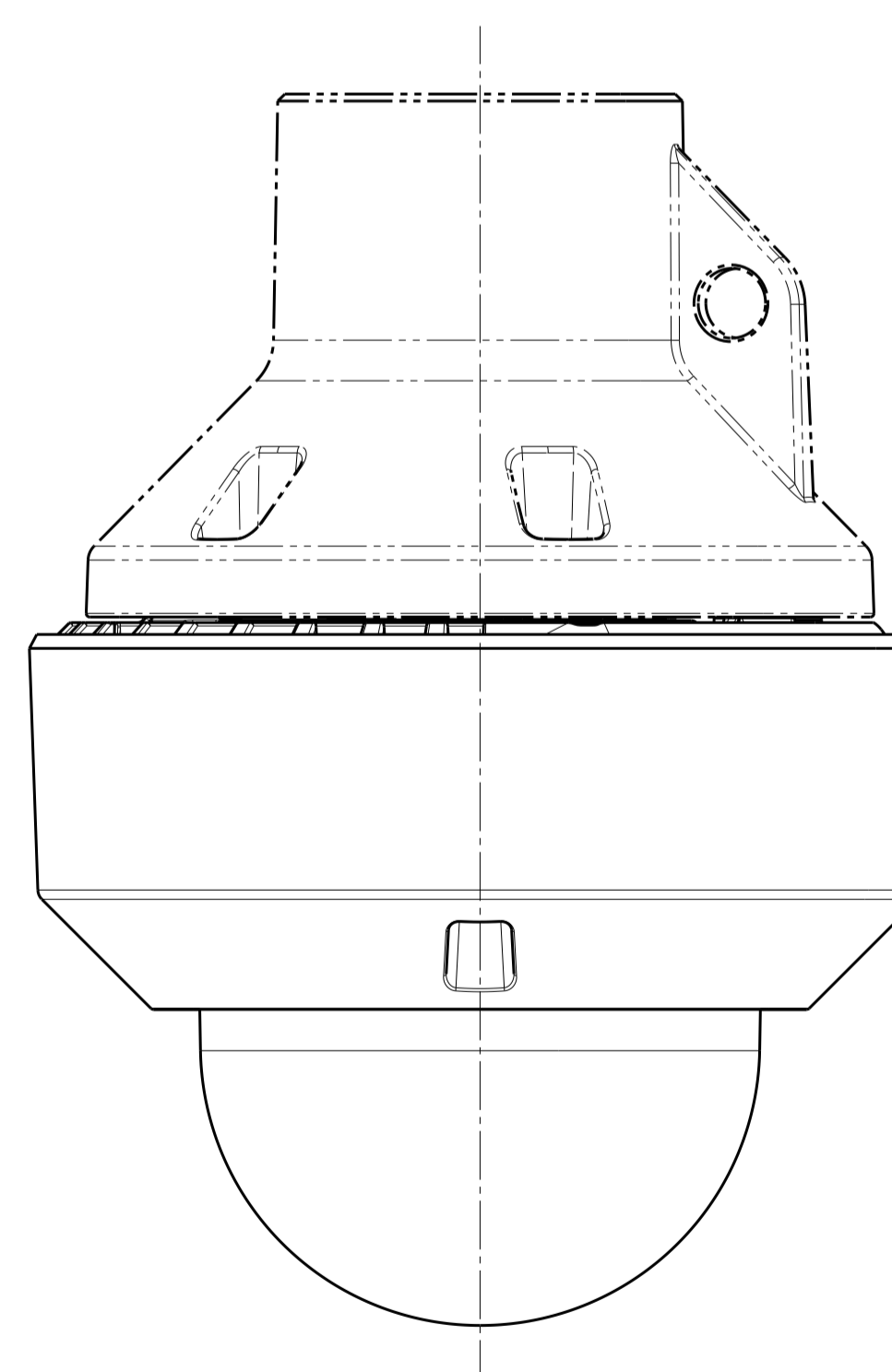
Attach to WV-QSR501-W



Attach to WV-QEM100-W



Attach to WV-QWL500-W



Attach to WV-QCL100-W