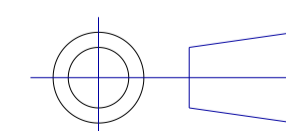


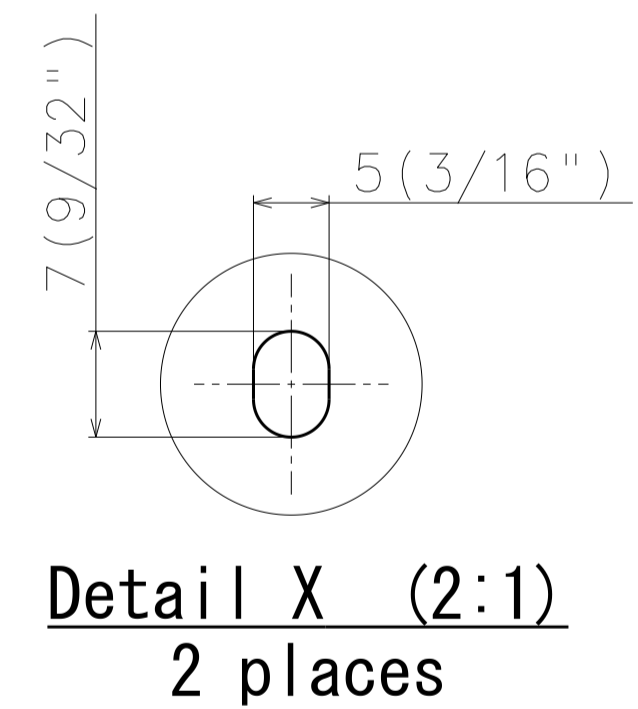
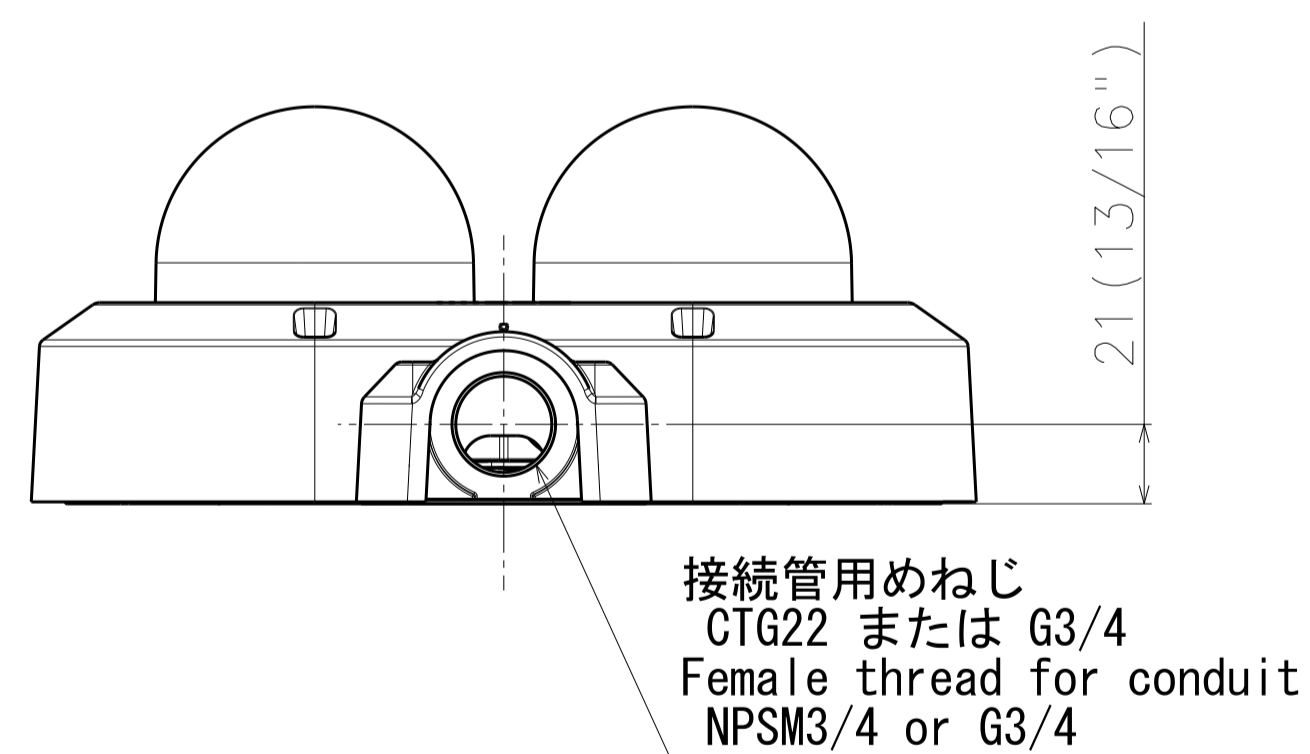
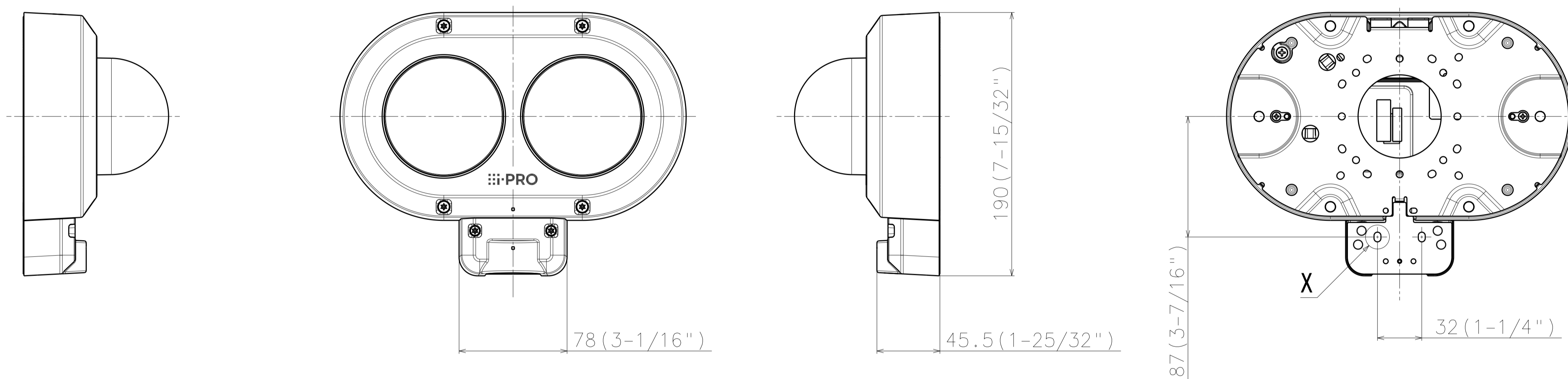
With attachment plate

Unit:mm

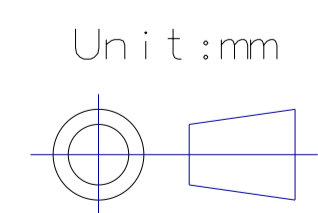


	投影面積/Projected area
平面図/Top-view	0.020 (m ²)
側面図/Side-view	0.011 (m ²)

Mass : Approx. 1.6 kg {3.53 lbs} (When using the attachment plate)

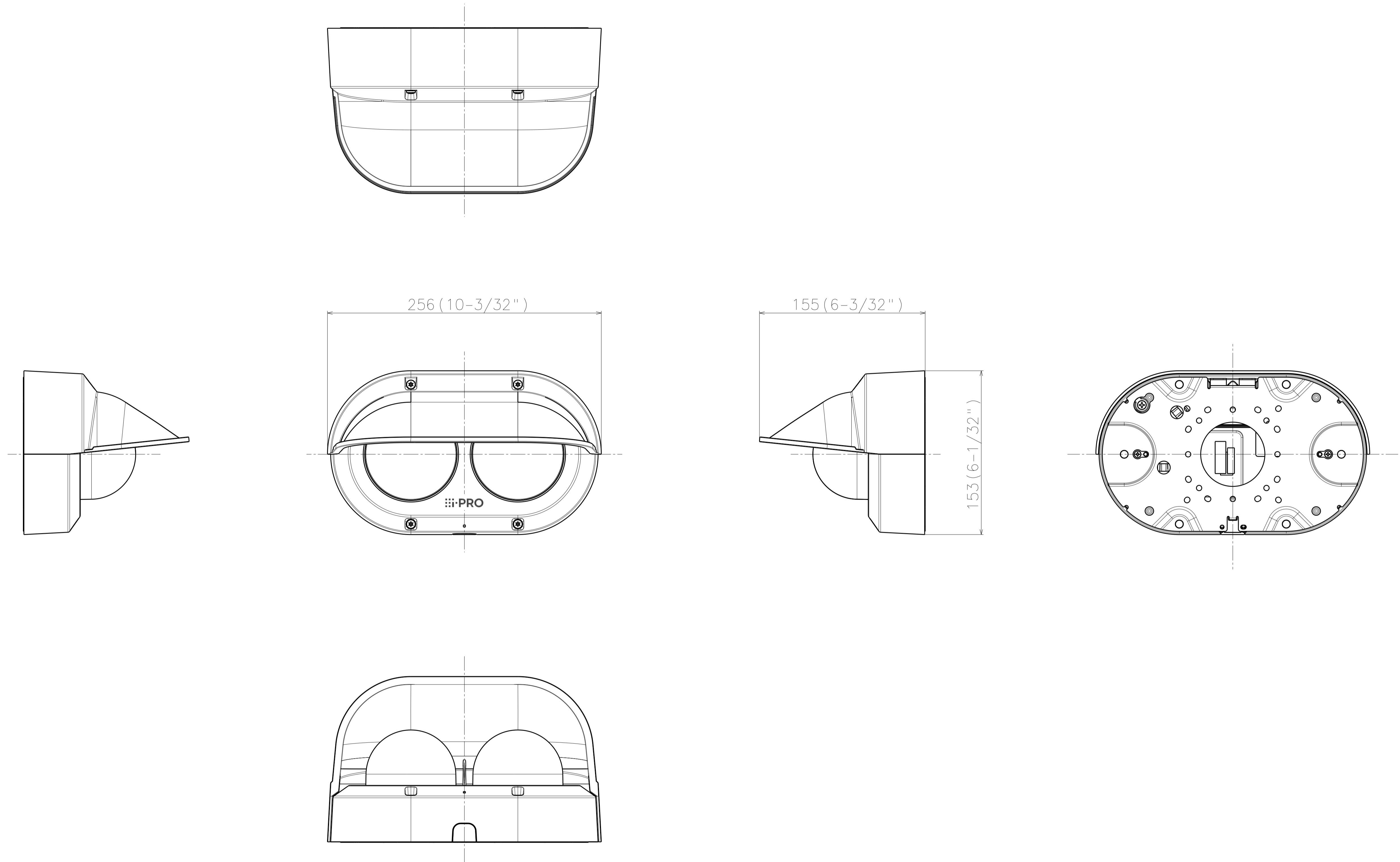


With conduit base & conduit cover

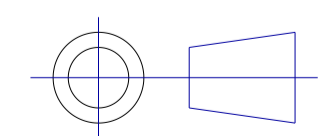


	投影面積/Projected area
側面図/Side-view	0.013 (m ²)

Mass : Approx. 1.7 kg {3.75 lbs}

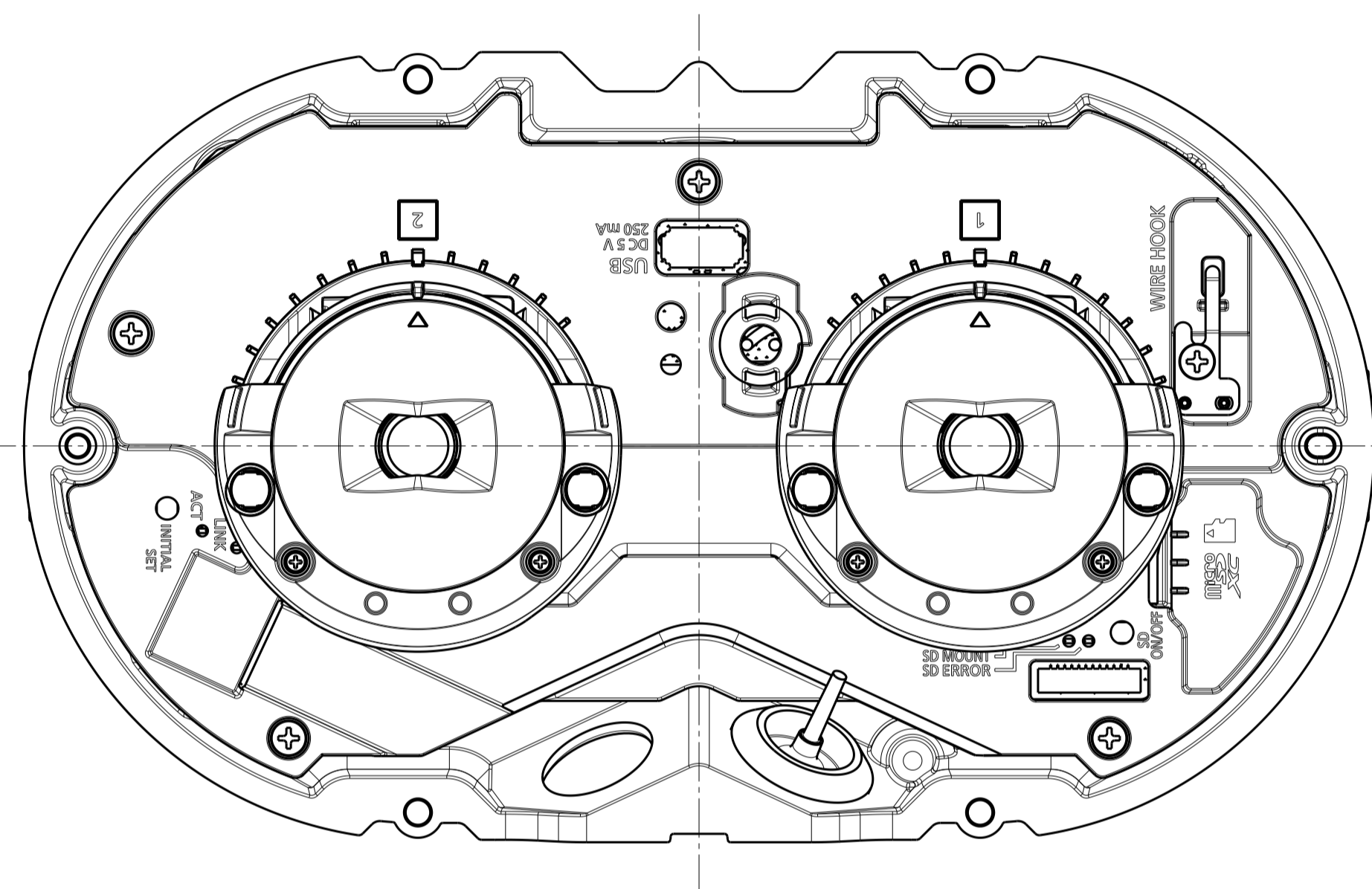


With sunshade

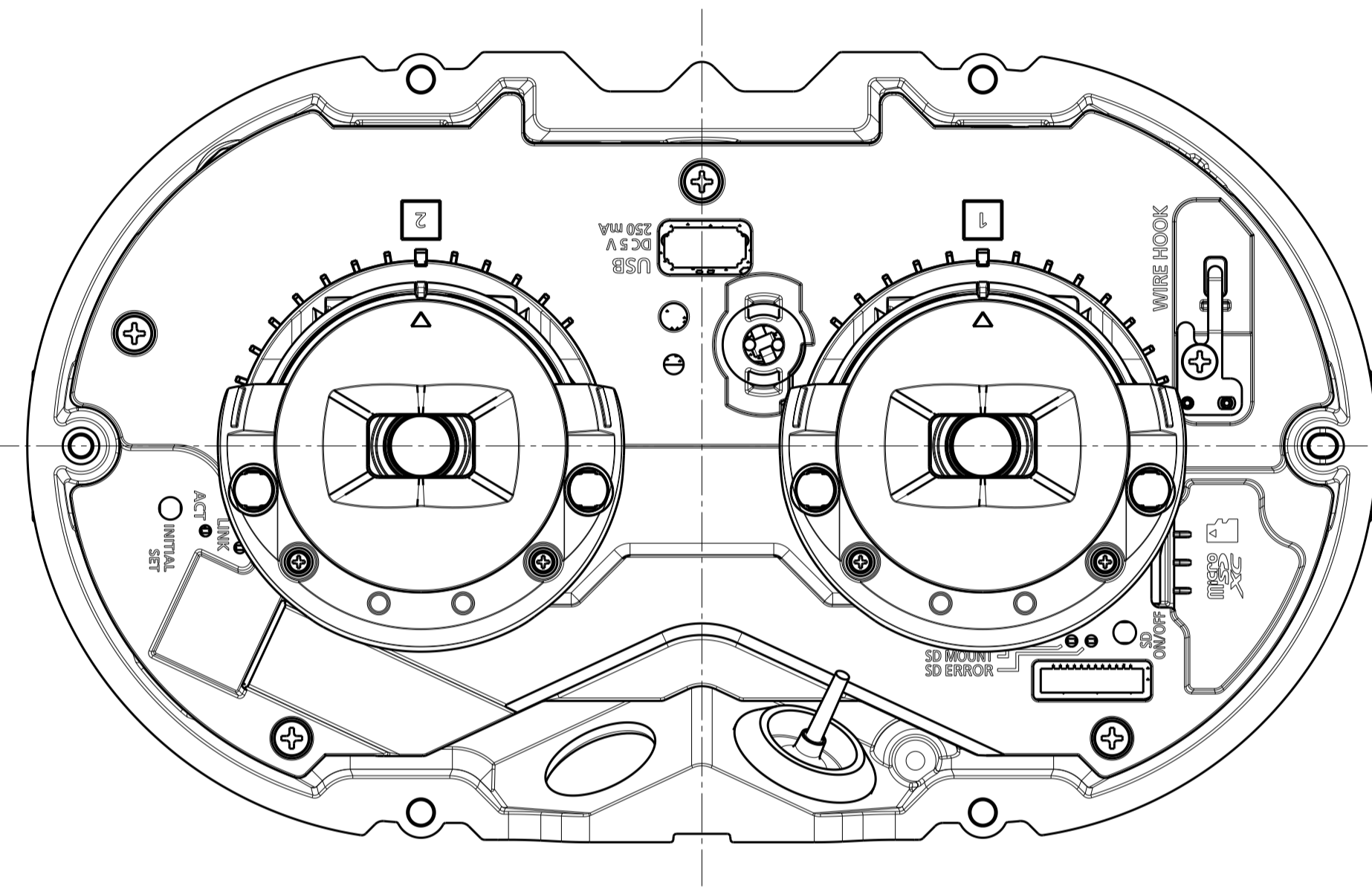
Unit:mm


	投影面積/Projected area
平面図/Top-view	0.036 (m ²)
側面図/Side-view	0.013 (m ²)

Mass : Approx. 1.75 kg {3.86 lbs}

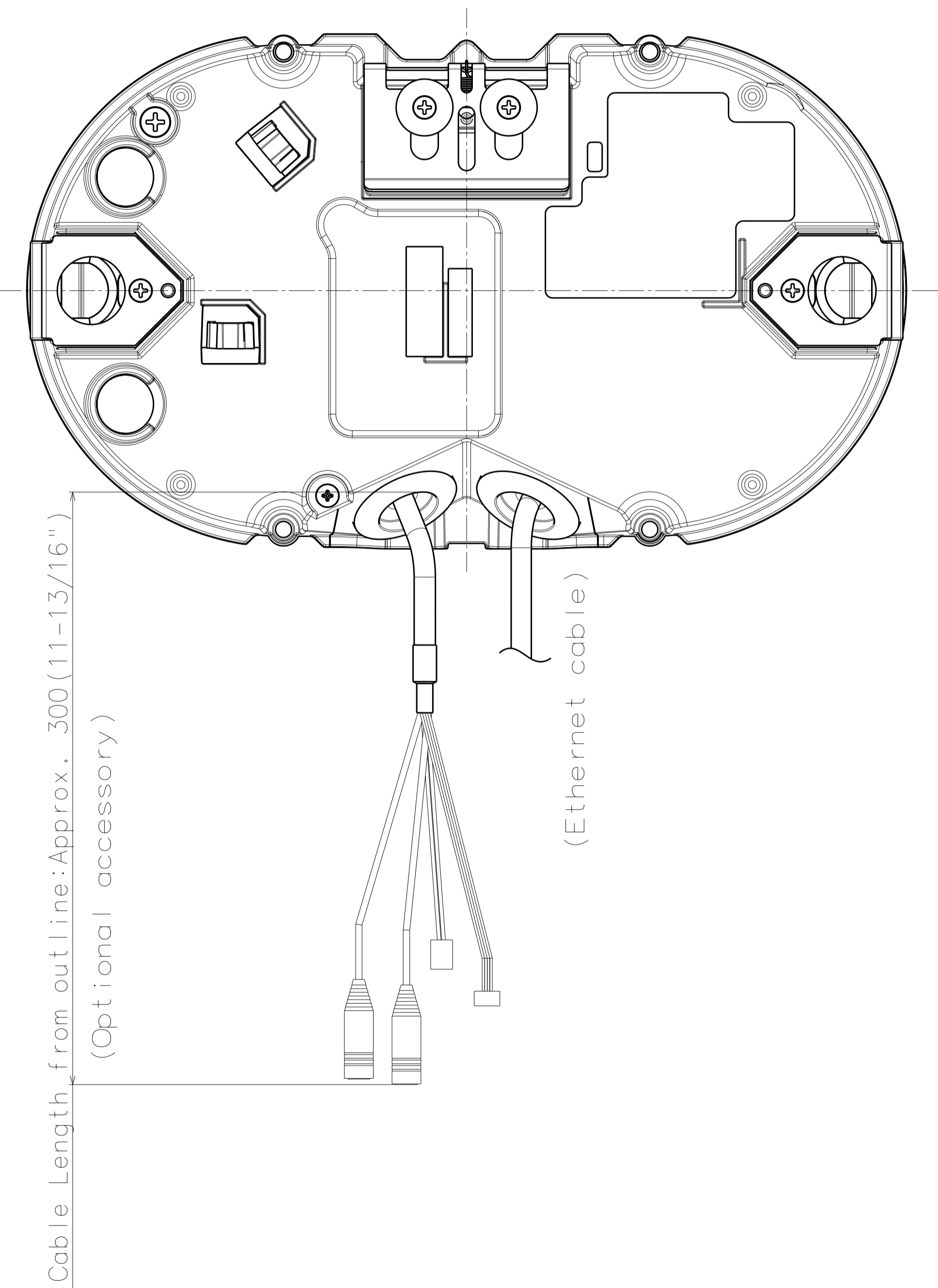


Lens type : 4K(12MP)

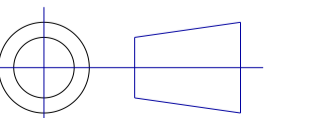


Lens type : 4MP

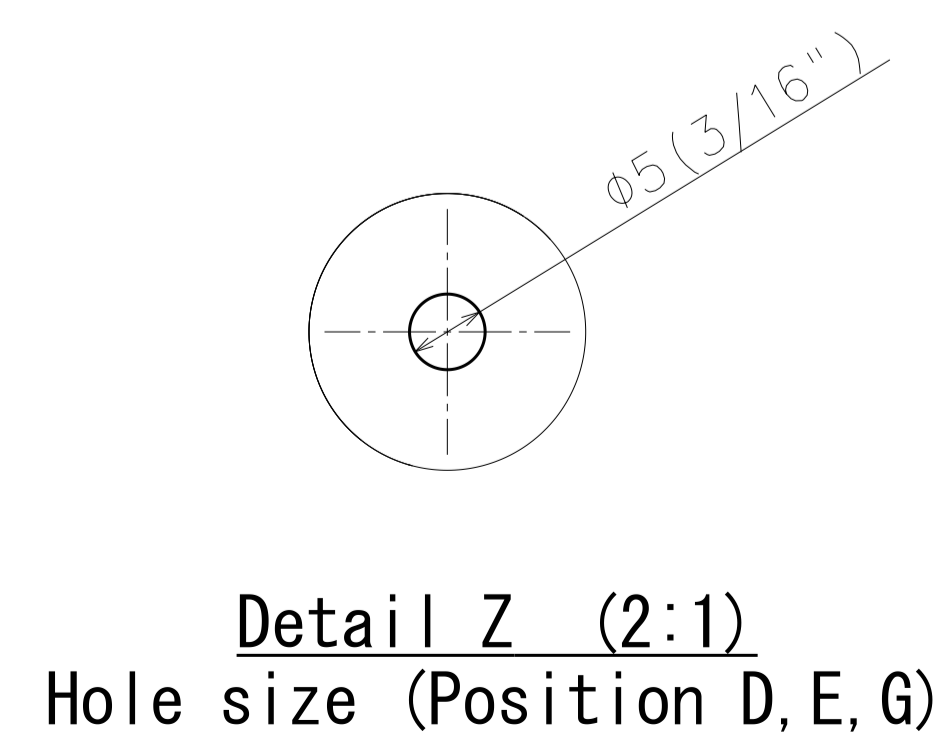
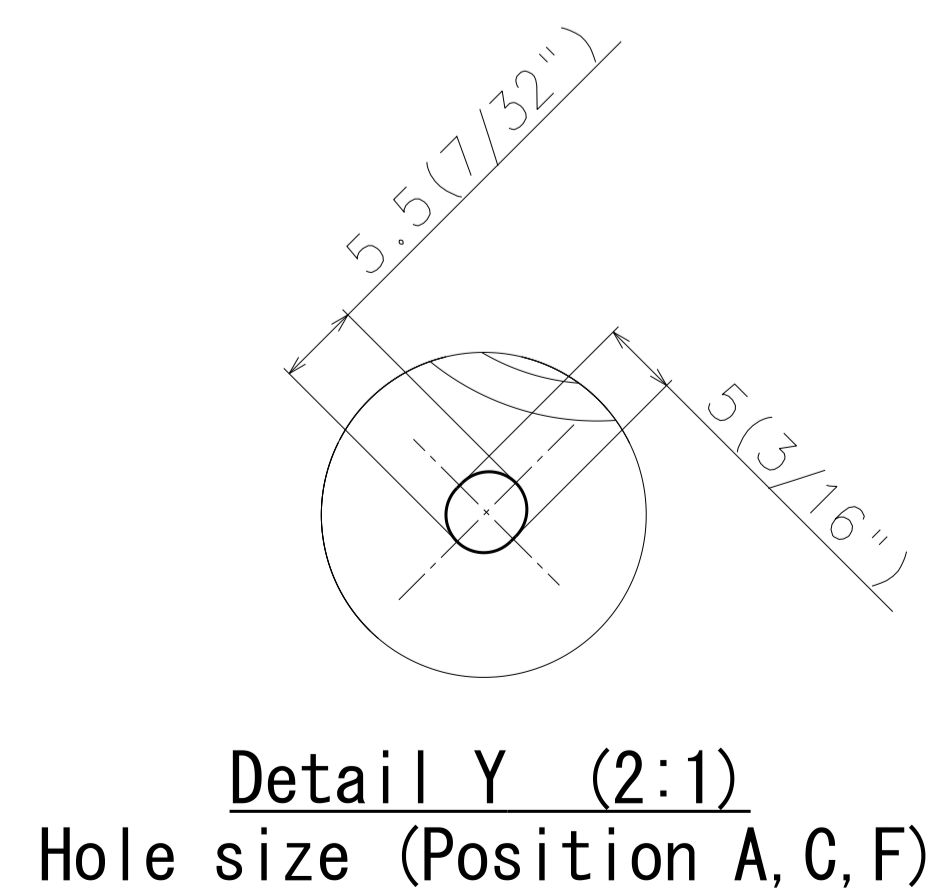
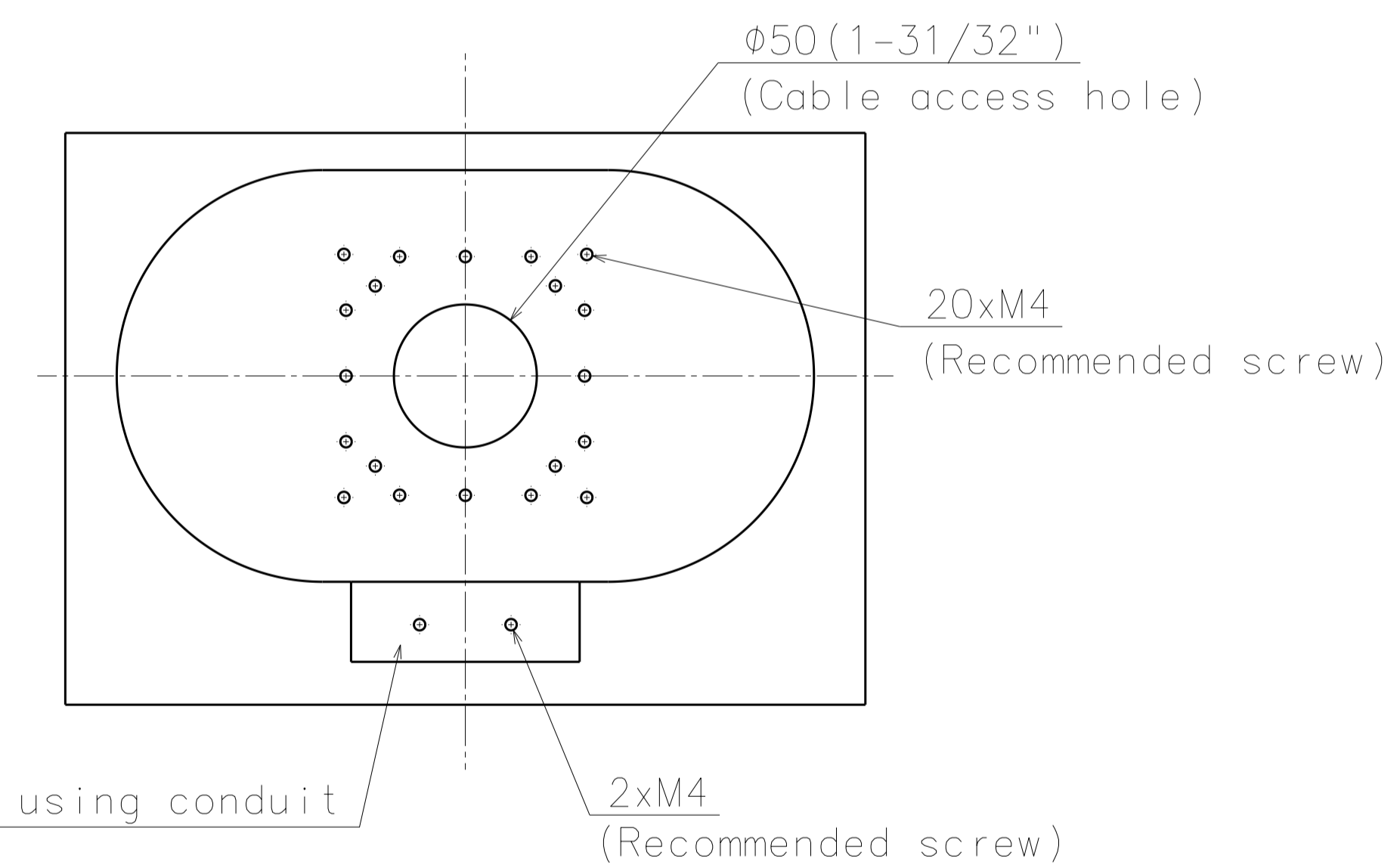
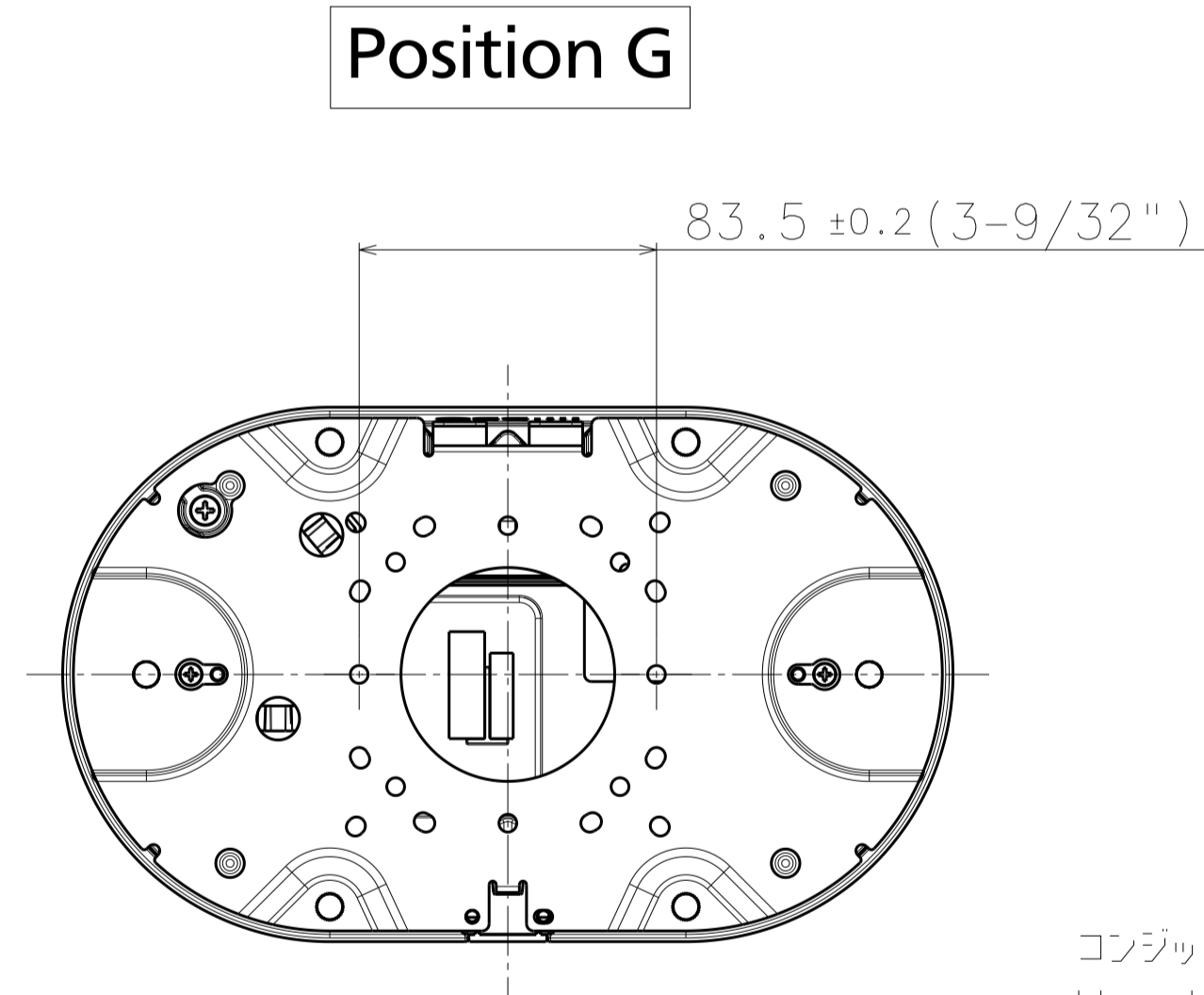
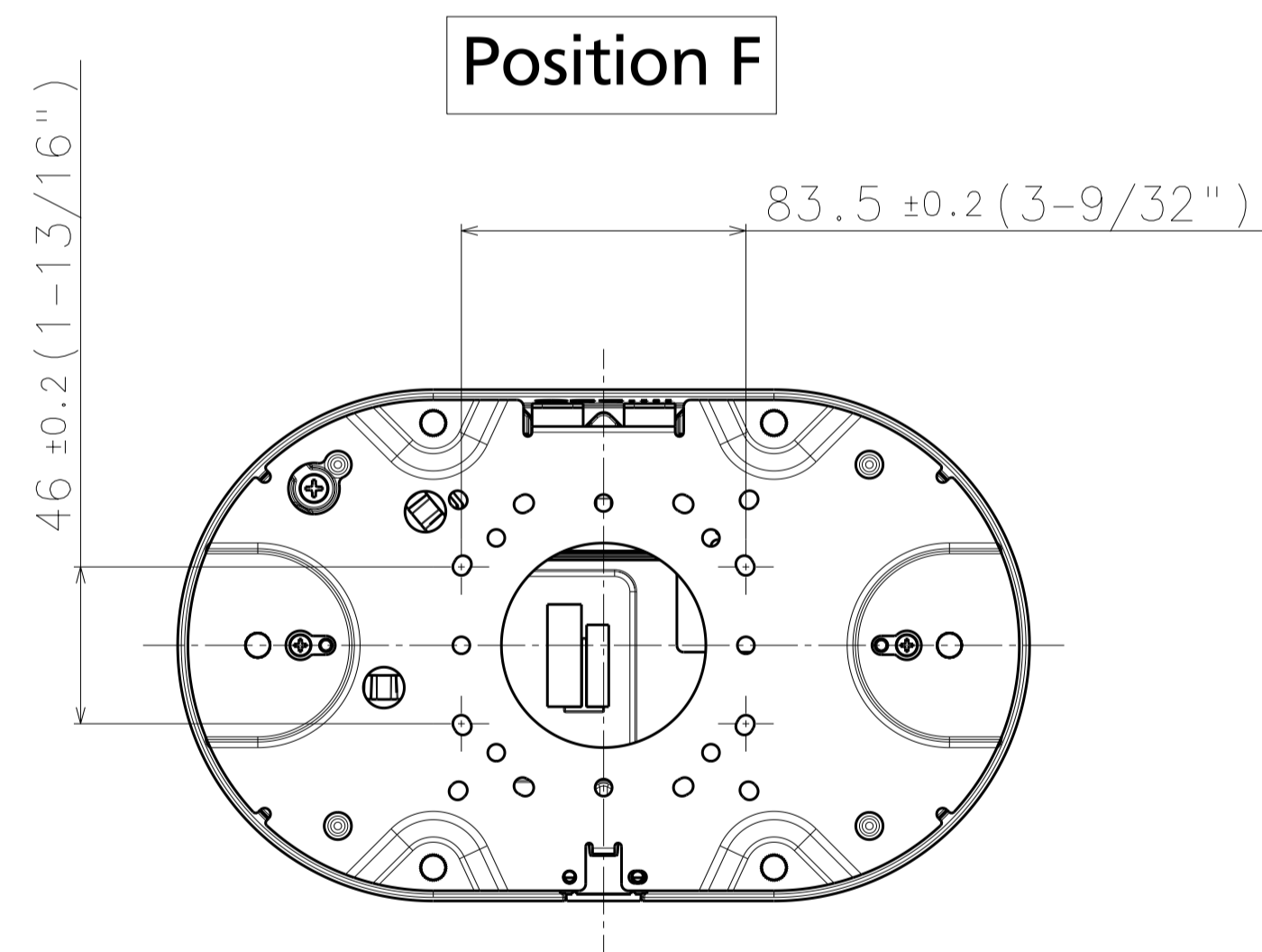
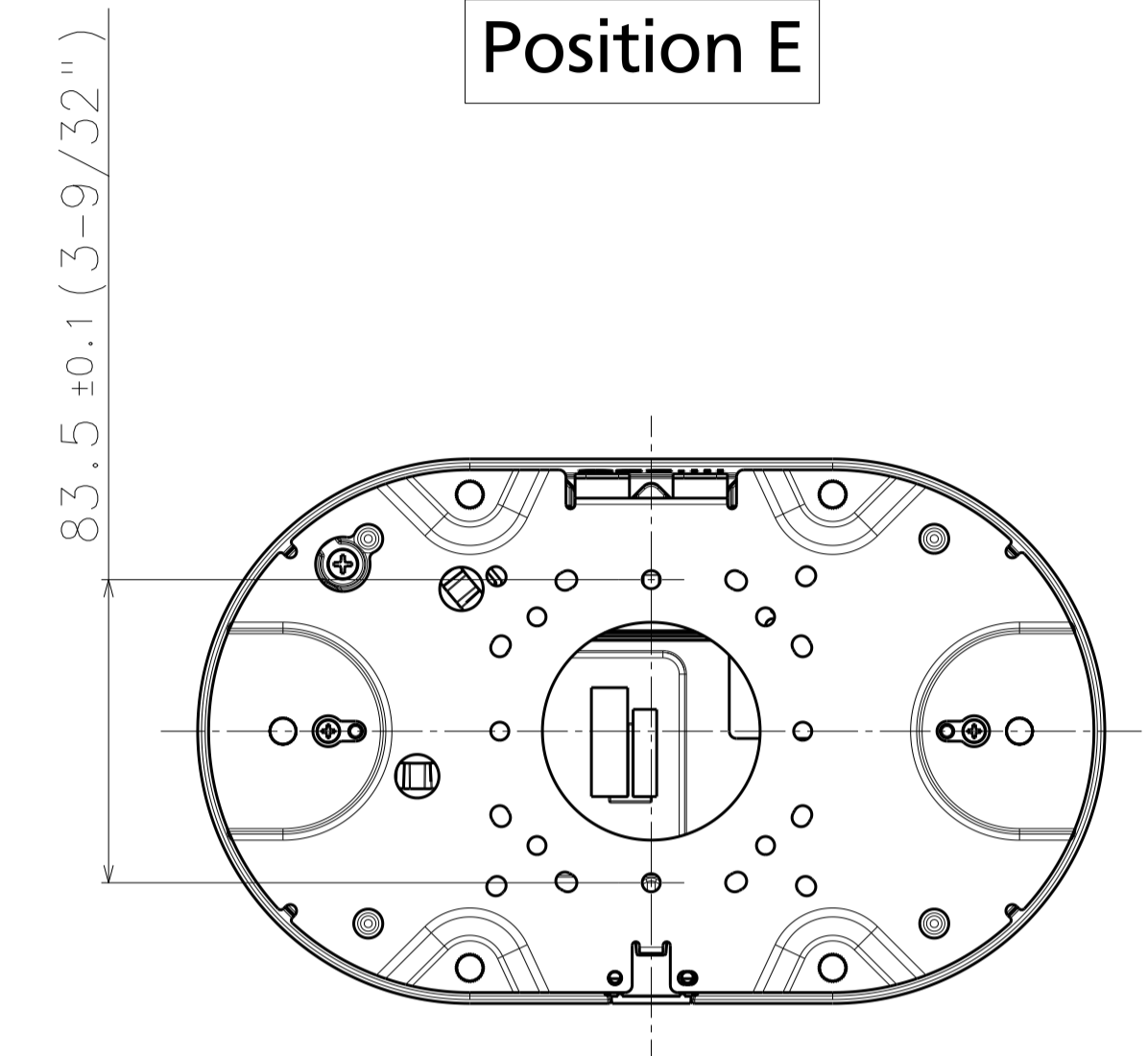
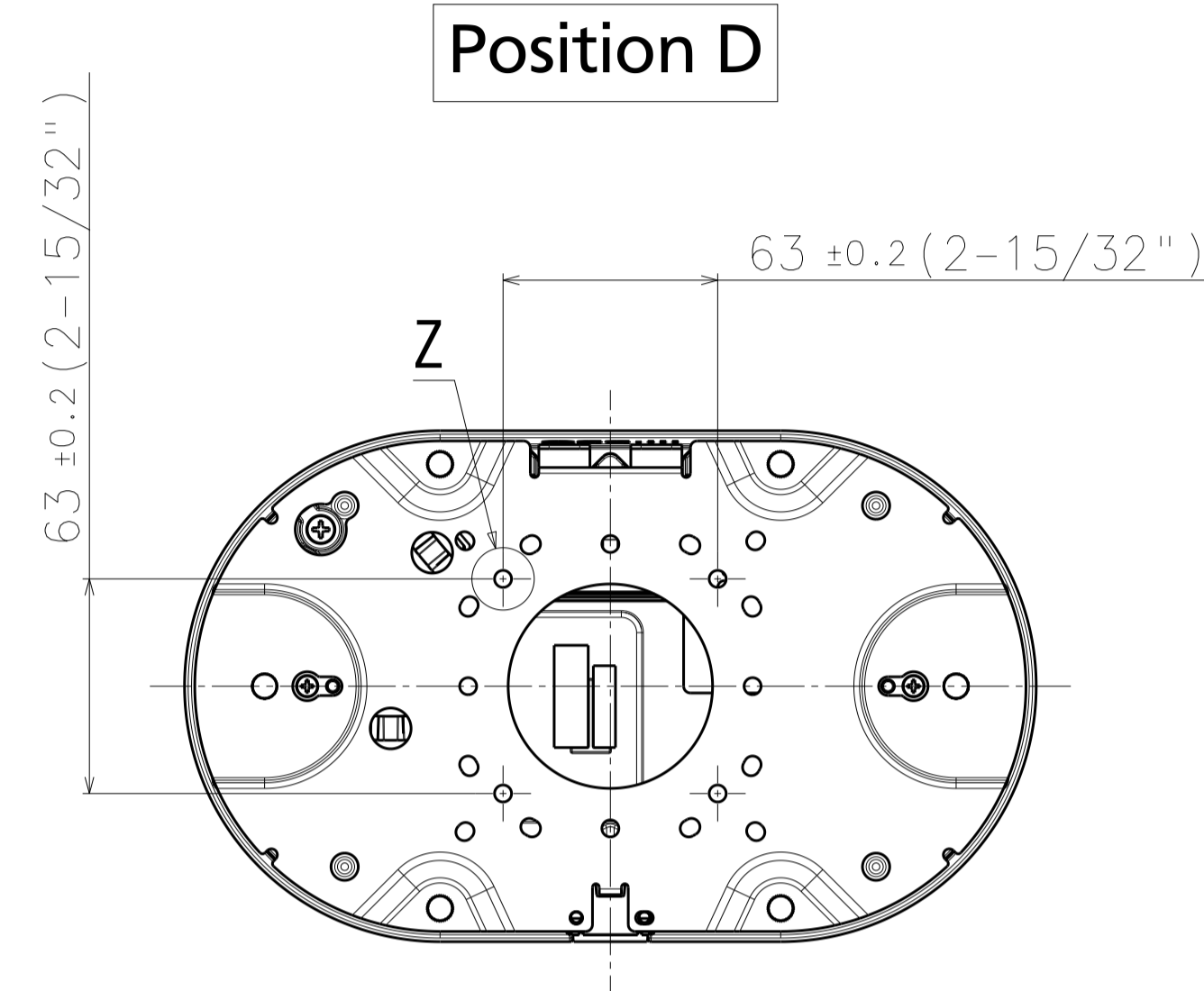
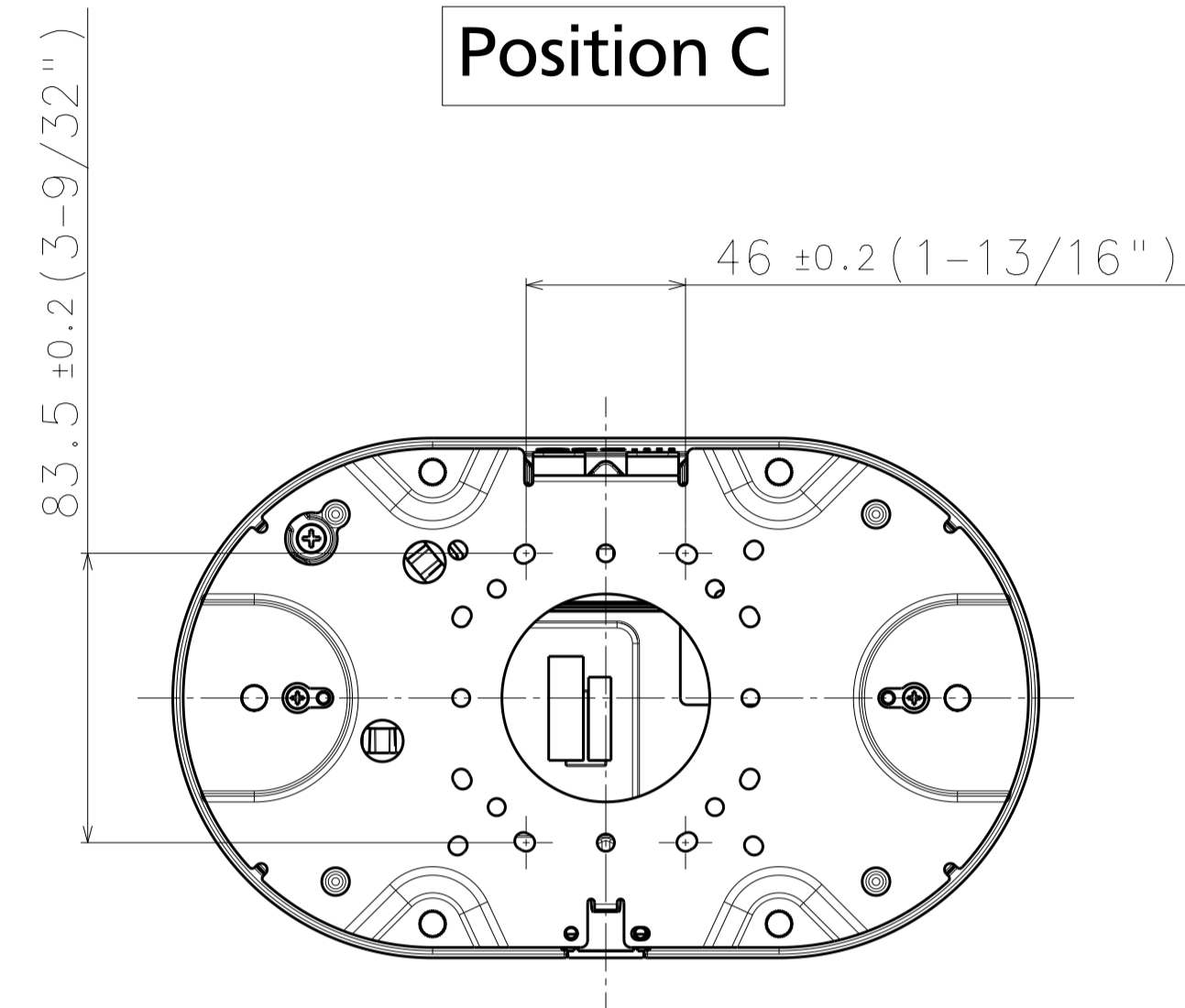
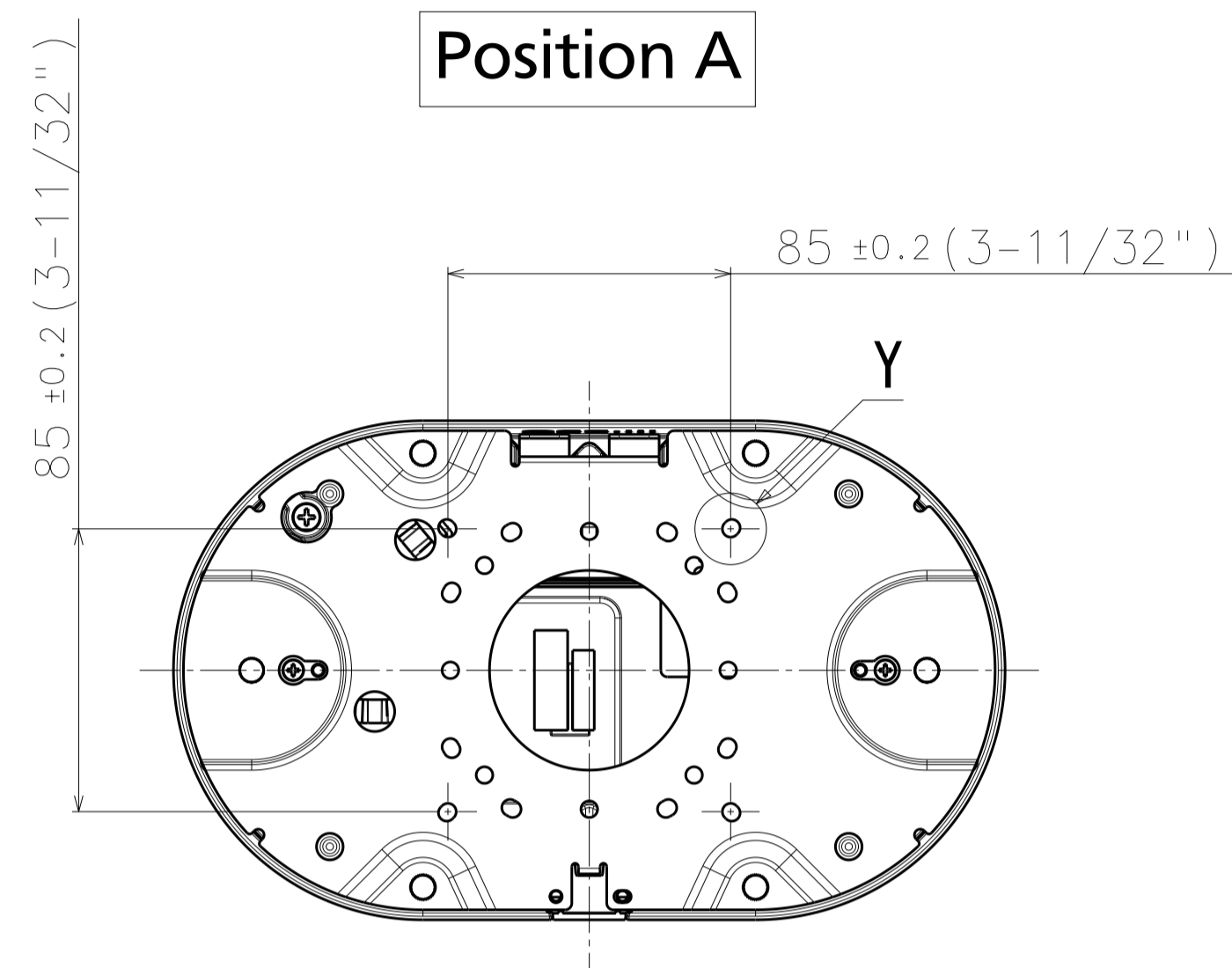
Removing enclosure



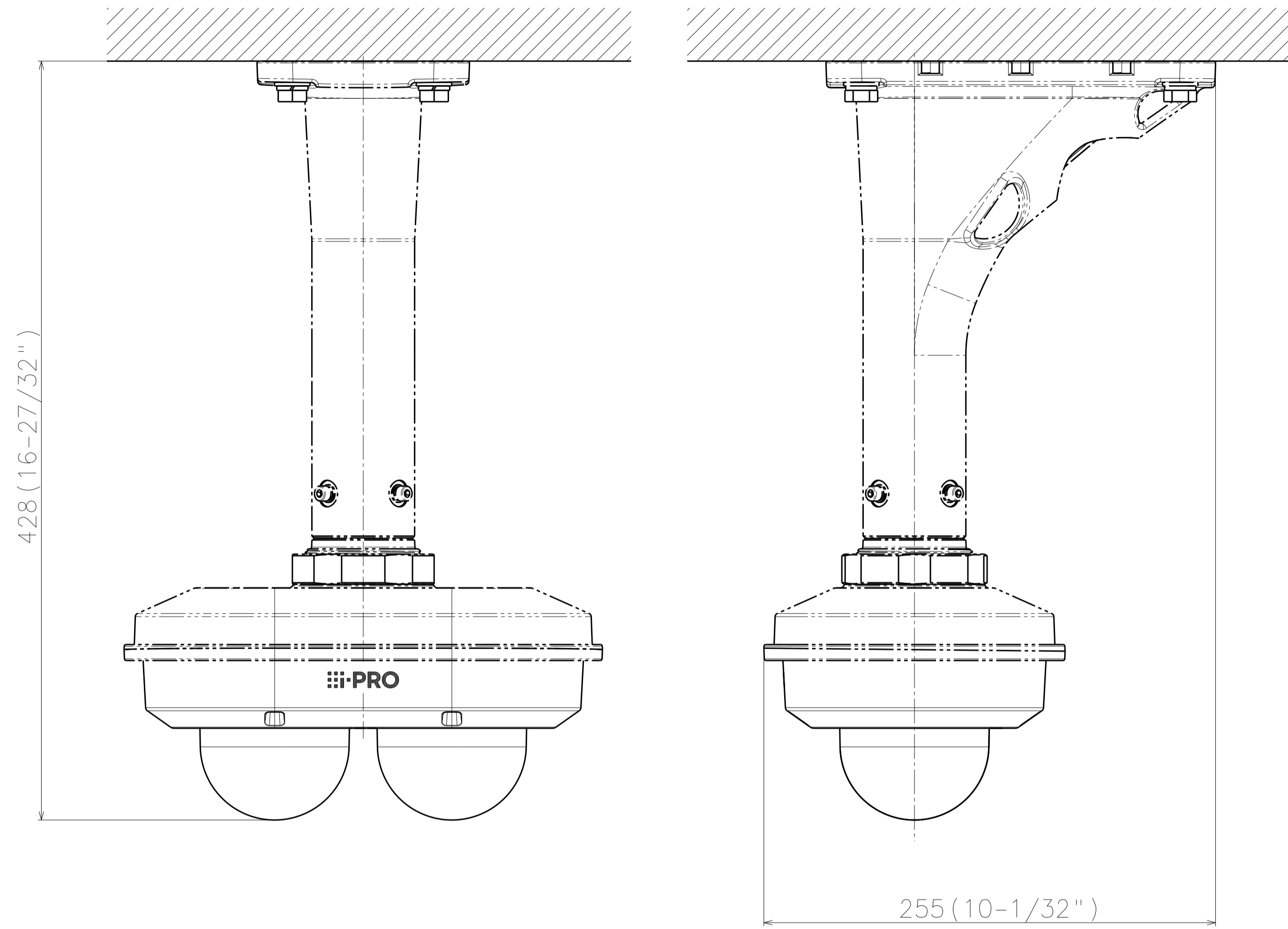
Unit:mm



Mounting hole layout

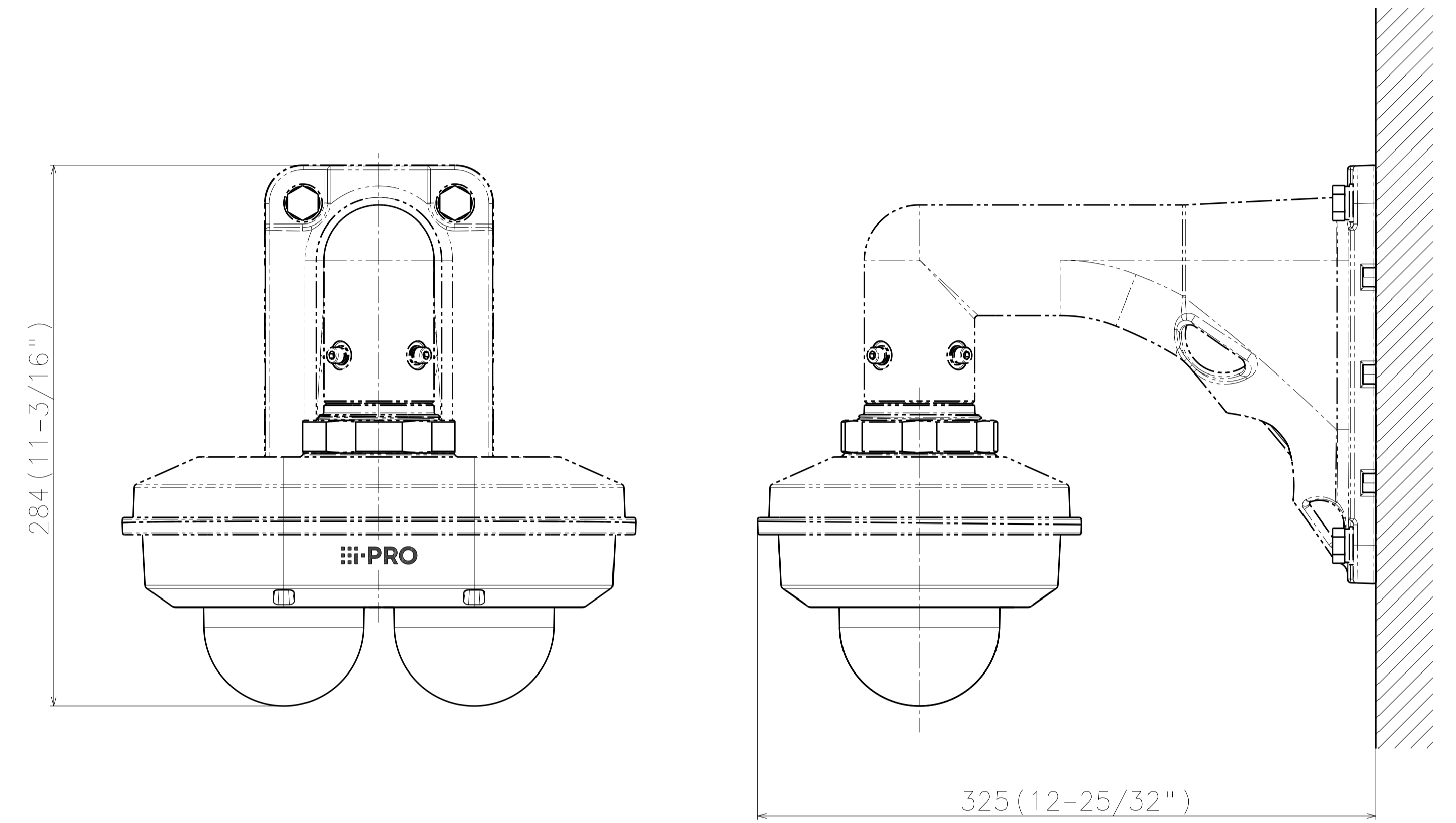


金具との組み合わせ例
Example of combination with bracket



Attach to WV-QSR507** & WV-QCL501**

	投影面積/Projected area
正面図/Front-view	0.045 (m ²)
側面図/Side-view	0.041 (m ²)



Attach to WV-QSR507** & WV-QWL501**

	投影面積/Projected area
正面図/Front-view	0.045 (m ²)
側面図/Side-view	0.044 (m ²)

Unit:mm

