

DESCRIPTION

The SP-131 can mount a wide horn speaker or horn speaker on a pole in conjunction with the optional YS-60B. It is comprised of two brackets.

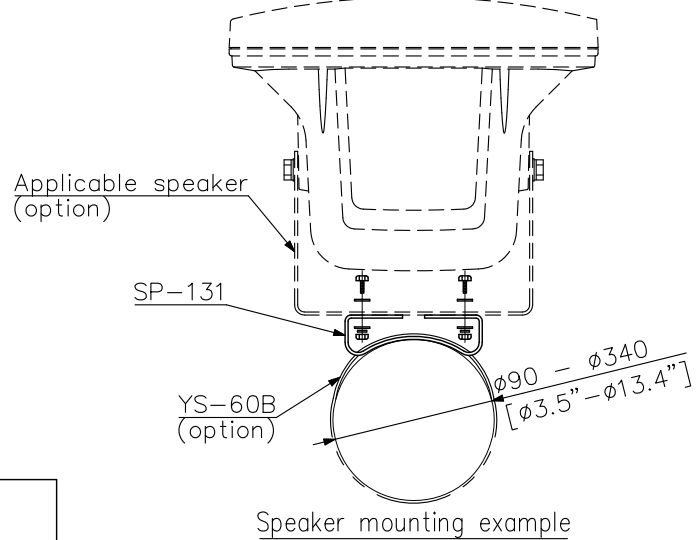
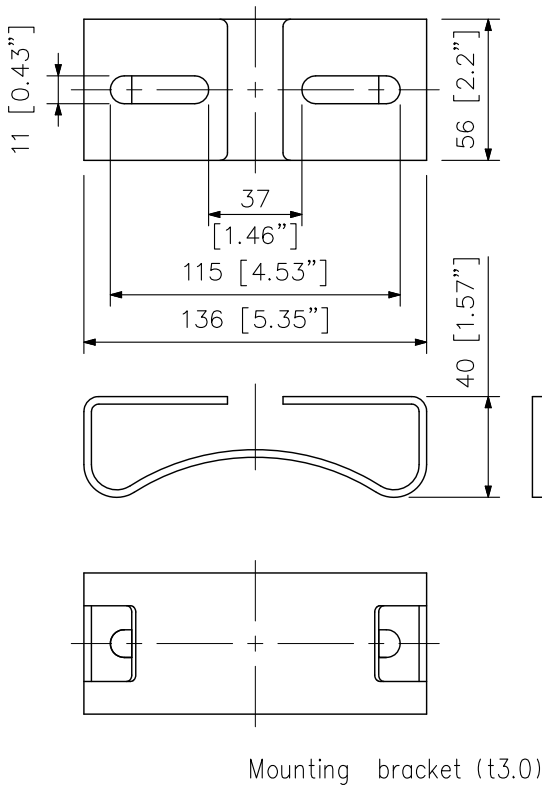
Note: For added safety, reinforce mounting brackets and mounting bands when installing a speaker in a location that will be exposed to significant vibration and/or strong wind. It is also recommended that the installed speaker, mounting brackets, and mounting bands be checked periodically to assess potentially dangerous excessive wear and/or loose connections.

SPECIFICATIONS

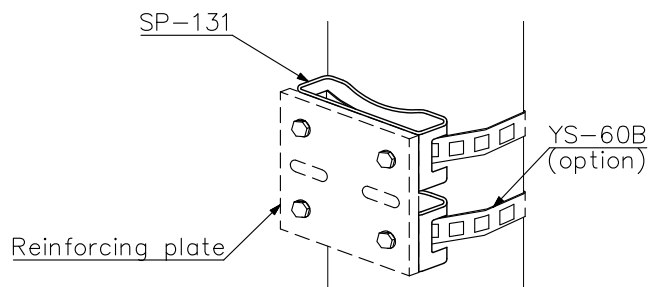
Load Capacity	8 kg (17.64 lb) *
Finish	Bracket: Stainless Steel Screw: Stainless Steel
Weight	330 g (0.73 lb) (per bracket)
Product Composition	Mounting bracket ---2, Mounting screw (M10 × 25 bolt set, M8 × 20 bolt set) ---each 1 set

* The TOA speakers heavier than 8 kg (17.64 lb) can be mounted if they are recommended for use with the SP-131 in our catalogs or other material.

APPEARANCE



Note: When installing a speaker larger than $\phi 380$ mm [15"], or when installing a speaker where it will be exposed to significant vibration and/or strong wind, the reinforcement shown below is required.



Note: Separately prepare the reinforcement plate having a thickness of 5 mm [0.2"] or more, and mount it on a pole using two SP-131s.

UNIT:mm SCALE:1/3