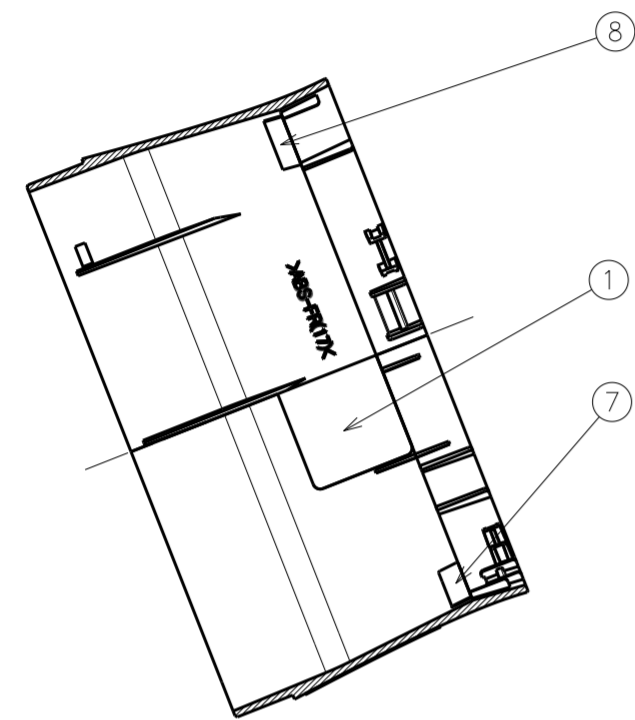
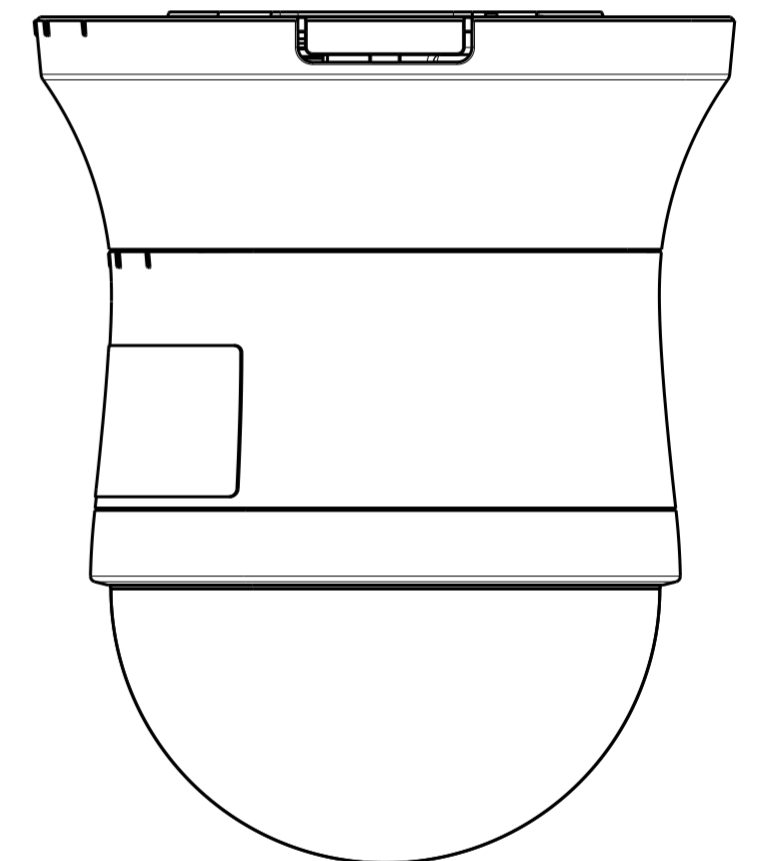
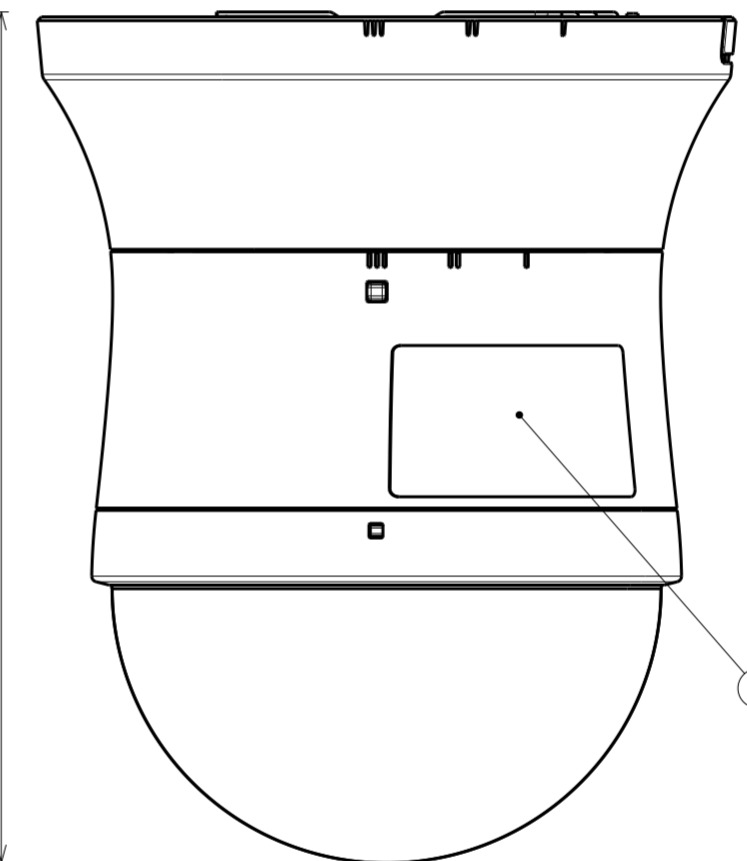
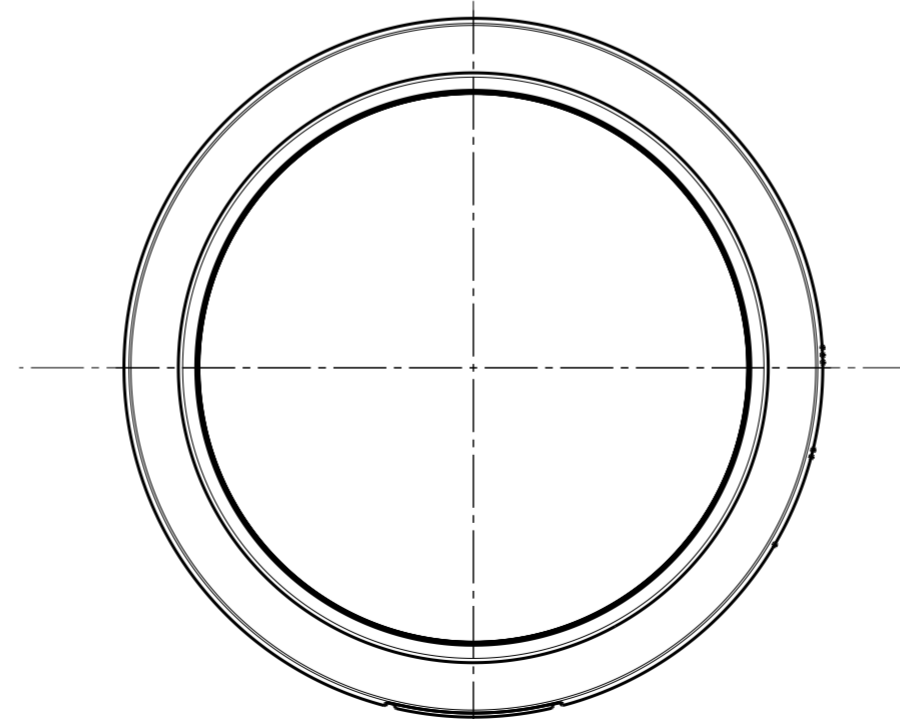
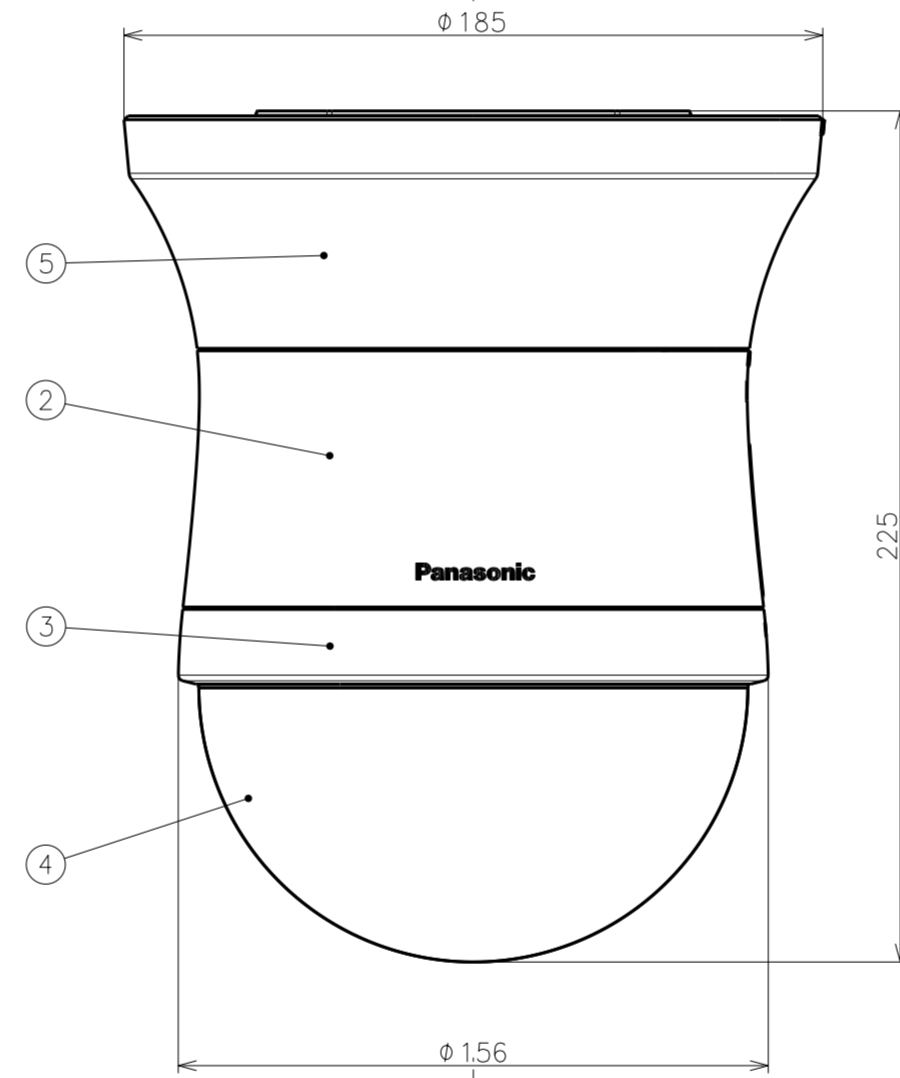
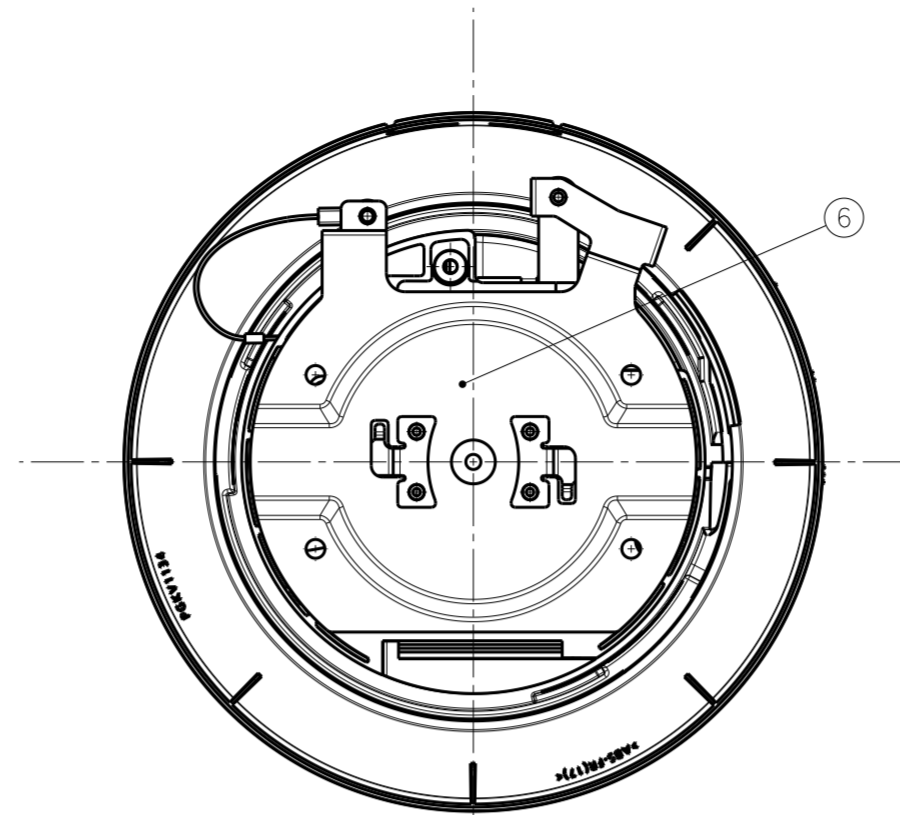


No.	Part Name	Material	Process-Remark
1	Name Plate	Polyester film	Printing
2	Decorative Cover	ABS Resin	Printing
3	Dome Ring	ABS Resin	
4	Dome	PMMA Resin	-
5	Decorative Cover (Upper) WV-SC588	ABS Resin	Camera Unit (WV-SC588) Accessory
6	Camera Unit (WV-SC588)	-	Other Product
7	Ser. No. Label	Polyester film	Printing
8	Production Date Label	Polyester film	Printing
9	Cover Set Label	Polyester film	Printing
10			
11			
12			
13			
14			
15			
16			
17			
18			
19			
20			



Section A-A
(Scale Free)

