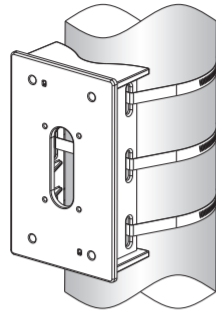


Operating Instructions

Included Installation Instructions

Pole Mount Bracket

Model No. **WV-QPL500-W**
WV-QPL500-B



- Before attempting to connect or install this product, please read these instructions carefully and save this manual for future use.
- The external appearance and other parts shown in this manual may differ from the actual product within the scope that will not interfere with normal use due to improvement of the product.

i-PRO Co., Ltd. assumes no responsibility for injuries or property damage resulting from failures arising out of improper installation or operation inconsistent with this documentation.

For U.S. and Canada:

i-PRO Americas Inc.

For Europe and other countries:

i-PRO EMEA B.V.

<https://www.i-pro.com/>

© i-PRO Co., Ltd. 2022

* PGQX2508YA * Ns1221-1042
Printed in China

Caution:

- Before attempting to connect or operate this product, please read these instructions carefully.

Notice:

- This product is not suitable for use in locations where children are likely to be present.
- Do not install this product in locations where ordinary persons can easily reach.
- For information about screws and other parts required for installation, refer to the corresponding section of this document.

Precautions

Do not hang down from this product or use this product as a pedestal.

Failure to observe this may cause injury or accidents.

Do not use this bracket except with specified cameras or mount brackets.

Failure to observe this may cause a drop resulting in injury or accidents.

Do not install this product on a place that is greatly influenced by wind.

Installation on a place where the wind speed is 60 m/s {approx. 134 mph} or more may cause a fall of the product resulting in injury or accidents.

Refer installation work to the dealer.

Installation work requires technique and experiences. Failure to observe this may cause fire, electric shock, injury, or damage to the product. Be sure to consult the dealer.

The exclusively designed mount bracket shall be used.

Failure to observe this may cause a drop resulting in injury or accidents. Use the exclusively designed mount bracket for installation.

The measures of protection against a fall of this product shall be taken.

Failure to observe this may cause a drop resulting in injury. If there is specified safety wire, please make sure to install it.

The measures of protection against snowfall shall be taken.

Weight of snow may cause a fall of the product resulting in injury or accidents. Protect the product against snowfall by installing it under eaves.

Do not rub the edges of metal parts with your hand.

Strong rubbing may cause injury.

When using this product, also read the "Precautions" described in the operating instructions for the camera to be attached.

Preface

This product is designed to be used to install a camera or mount bracket for camera to a vertical round pole with diameter from 80 mm {3-5/32 inches} to 200 mm {7-7/8 inches}. For the latest information about the mountable models, refer to our technical information website (https://i-pro.com/global/en/surveillance/training_support/support/technical_information <Control No.:C0501>).



Specifications

Ambient operating temperature:	-50 °C to +60 °C [-58 °F to 140 °F]	
Dimensions:	140 mm (W) × 230 mm (H) × 70 mm (D)	{5-1/2 inches (W) × 9-1/16 inches (H) × 2-3/4 inches (D)}
Mass:	Approx. 1.2 kg {2.65 lbs}	
Finish:	Aluminum die cast	WV-QPL500-W: i-PRO White WV-QPL500-B: Black

Precautions for installation

In order to prevent injury, the product must be securely mounted to the pole according to the installation guide of this bracket.

About installable pole

- Please consider the influence of vibration and wind at the installation site and mount the bracket onto the poles with appropriate strength. Installable pole: round (ø80 mm ~ ø200 mm {ø3-5/32 inches ~ ø7-7/8 inches})
- Please do not mount it onto a pole made of wood or resin with low endurance or quality having changed after experiencing years' time.
- After the bracket is mounted, please verify the following content once a year. In the event of abnormality, please inform the dealer or the constructor.
 - Do not allow any slanting, distortion or offset in installation.
 - Bracket and fixing band should not have any serious rust or damage.

About the installation methods

- The bracket is specifically designed for installation onto a round pole.
- Fix the bracket to a pole by tightening the screws of three fixing bands. Please make sure to fix firmly with the following tightening torque. (Recommended tightening torque: 5 N·m {3.69 lbf·ft})

IMPORTANT:

- Please do not exceed the torque limit when tightening the screw. Excessive tightening may damage the screw of the fixing band. Please do not use a fixing band with damaged tightening screw. Limited tightening torque: 7.5 N·m {5.53 lbf·ft}

- For the pole, install the fixing band vertically. An slanted installation of the fixing band will result in excessive slack which could lead to a fall.
- When installing, please pay attention to not damage any part that influences the strength of the fixing band.
- When the pole mount bracket is installed to a pole with easy gliding painting or coating, please pay attention to rotating and sliding down.
- After the installation is finished, please check if there are deviations related to slackness, fitting and rotation of the fixing band. In the event of abnormality, please tighten again.

Check before the installation.

Once the bracket is installed with a deformed mount bracket and/or damaged part, it could potentially fall. Before the installation, please make sure to check the appearance of the bracket and the fixing band.

Screw tightening

- Make sure to tighten the screws (accessory) that fix camera or mount bracket onto this product.
- Do not use an impact driver. Use of an impact driver may damage the screws or cause tightening excessively.
- When a screw is tightened, make the screw at a right angle to the surface. After tightening the screws or bolts, perform checks to ensure that the tightening is sufficient enough so that there is no movement or looseness.

Make sure to remove this product if it will no longer be used.

Standard accessories

Operating Instructions (this document)..... 1 pc.
Fixing bands..... 3 pcs.
Support band..... 1 pc.
Use the following accessories as the installation requires (use of all accessories together will likely not be necessary):
Safety wire fixing bracket..... 1 pc.
M10 × 30 mm {1-3/16 inches} hexagon screws..... 5 pcs.
M6 × 16 mm {5/8 inches} hexagon screws..... 2 pcs.
M4 × 20 mm {25/32 inches} hexagon screws..... 5 pcs.

Note:

- One spare is provided for each type of screw.
- In order to tighten the fixing bands during installation, it's necessary to use torque wrench (locally procured).
- Each 8 mm {5/16 inches}, 5 mm {3/16 inches} or 3 mm {1/8 inches} hexagon wrench (locally procured) is needed when M10, M6 or M4 hexagon screw is used. (In this manual, hexagon socket head cap screw is described as hexagon screw.)

Installations

Be sure to read "Precautions" and "Precautions for installation" before installation.

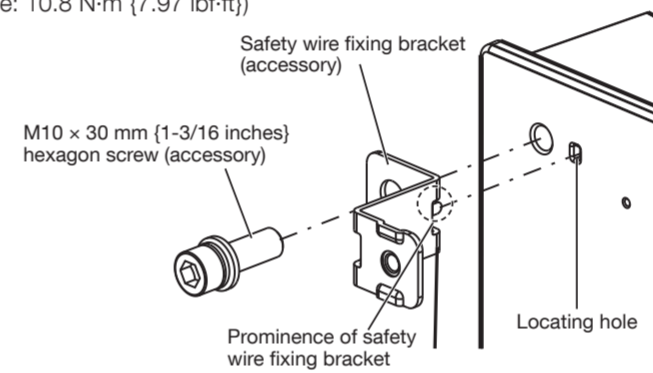
Refer to the operating instructions of the camera for details on the camera installation (including the camera mounting, cable connection and adjustment).

The following are descriptions when using WV-QPL500-W.

When the camera is directly attached to this product and the camera equipped with a safety wire.

Before mounting the camera, attach the safety wire fixing bracket to this product.

- Use one M10 × 30 mm {1-3/16 inches} hexagon screw (accessory) to install the safety wire fixing bracket (accessory) on the top left corner of this product. (Recommended tightening torque: 10.8 N·m {7.97 lbf·ft})



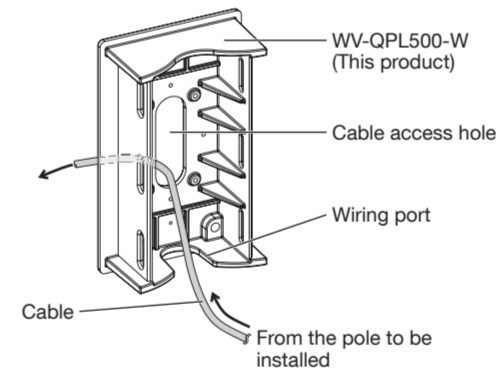
Install the mount bracket onto a vertical pole

Please wear gloves during installation. Cutting off fixing bands may cut your fingers.

- Pass the cable to be connected with camera through the cable access hole of this product and pull out an adequate length as needed for the camera.

Note:

- Please choose to wring port upward or downward as per the site situation. This manual illustrates the example with the wiring port downward.



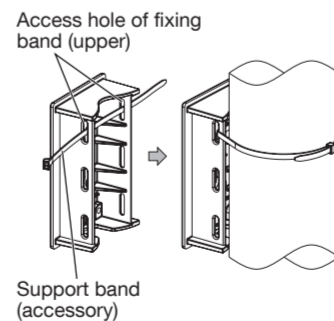
- Pass the support band (accessory) through the access hole of fixing band (upper) to temporarily fix this product onto the pole to be installed.

Note:

- During installation, please note that the cable is not placed between this product and the pole.
- Please confirm the installation height after considering the height of installing camera onto this product.

IMPORTANT:

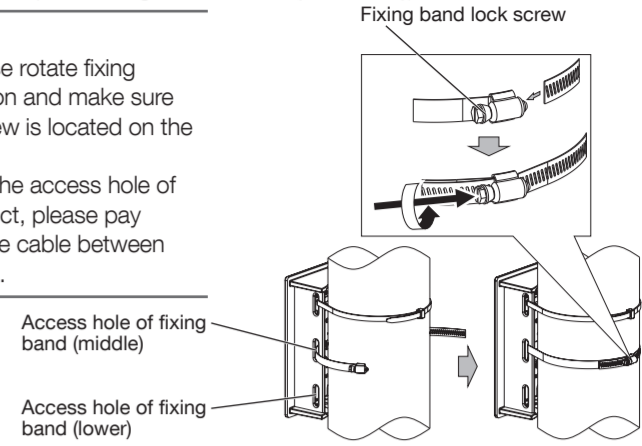
- To prevent this product sliding down, please pull the support band tightly to temporarily fix it.



- Take out one fixing band and pass it through access hole of fixing band (middle), then use a torque wrench (locally procured) to tighten the fixing band lock screw in a clockwise direction to completely fix this product. Then take out another fixing band and pass it through access hole of fixing band (lower), and fix it in the same way. (Recommended tightening torque of fixing band: 5 N·m {3.69 lbf·ft})

Note:

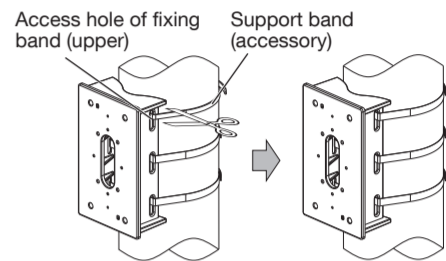
- During installation, please rotate fixing band to adjust its position and make sure the fixing band lock screw is located on the surface of the pole.
- When passing through the access hole of fixing band of this product, please pay attention not to pinch the cable between the fixing band and pole.



- Cut and remove the support band. Fix the last access hole of fixing band (upper) in the same way. (Recommended tightening torque of fixing band: 5 N·m {3.69 lbf·ft})

Note:

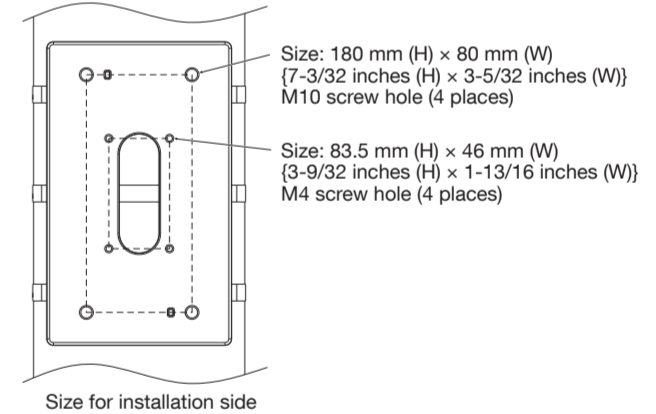
- After finishing the installation, please confirm there is no looseness or inclination for fixing bands.



- For the remaining part of fixing bands, leave approximate 70 mm {2-3/4 inches} in the part of fixing band lock screw and use a tool (locally procured) to cut off the remaining part. Please treat the cut-off part to prevent injury.

Install camera or mount bracket for camera to pole mount bracket

Size illustration for installing part of WV-QPL500-W



<Mountable models>

You can attach the camera directly to this product, or attach the camera by using the following bracket combination.

- WV-QWL501-W (Wall Mount Bracket: i-PRO White)
- WV-QSR501-W (Mount Bracket : i-PRO White)
- WV-QWL500-W (Wall Mount Bracket: i-PRO White)
- WV-QJB500-W (Adapter Box: i-PRO White)

For the latest information about the mountable models, refer to our technical information website <Control No.:C0501>.

IMPORTANT:

- Only one bracket and camera can be installed with this product. Do not install any bracket or camera which is not described in the manual (this document) or our technical information website.

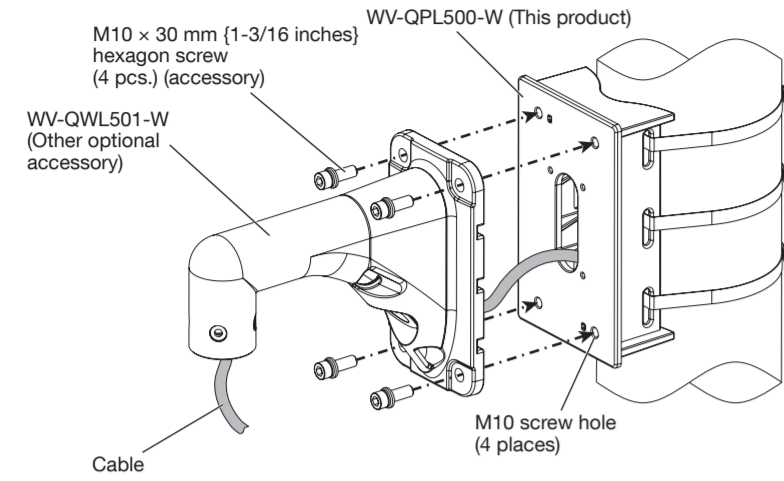
Please choose one appropriate way from the following five installation methods according to the camera to be installed. For the cables connected to camera, please refer to the operating instructions of camera.

- When mounting an outdoor dome type camera
 - Mount the camera by using this product with WV-QWL501-W and WV-QSR501-W.
 - Mount the camera by using this product and WV-QWL500-W.
 - Mount the camera by using this product with WV-QWL500-W and WV-QJB500-W.
- When mounting an outdoor box type camera
 - Directly mount the camera to this product.
 - Mount the camera by using this product and WV-QJB500-W.

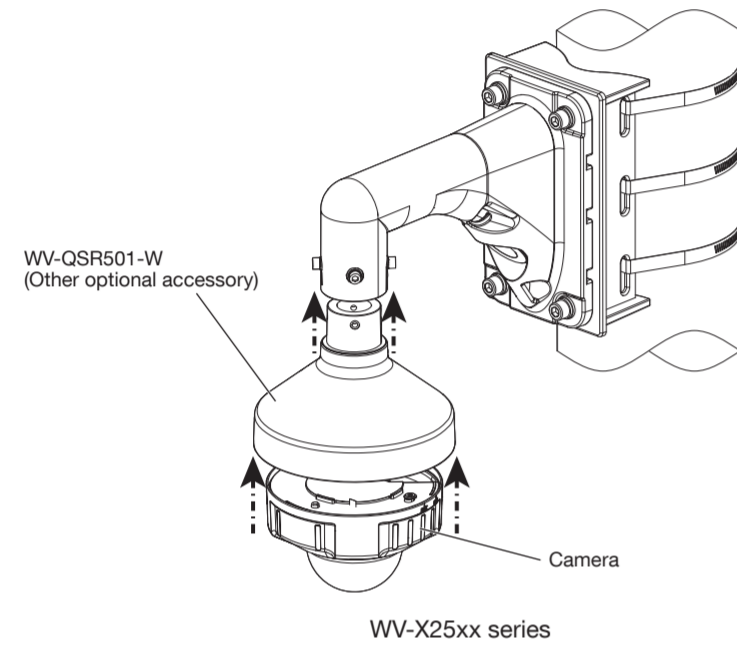
As for the mounting steps from ① to ⑤, refer to the back side of this document and the operating instructions of each bracket and camera.

Ⓐ Install the camera by using this product with Wall Mount Bracket (WV-QWL501-W) and Mount Bracket (WV-QSR501-W).

- ① Pass the cable coming from this product through WV-QWL501-W.
- ② Adjust the hole of WV-QWL501-W (4 places) to the M10 screw holes (4 places) and then fix them with the M10 × 30 mm {1-3/16 inches} hexagon screws (4 pcs.) (accessories). (Recommended tightening torque: 10.8 N·m {7.97 lbf·ft})



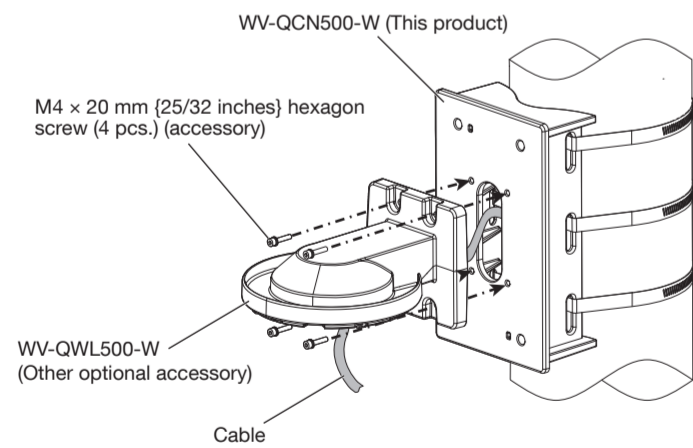
- ③ As described in the operating instructions of WV-QSR501-W and the camera, install WV-QSR501-W and the camera to the WV-QWL501-W. For the details about the connection of the cable and waterproofing, refer to the operating instructions of the camera.



Ⓑ Install the camera by using this product and Wall Mount Bracket (WV-QWL500-W).

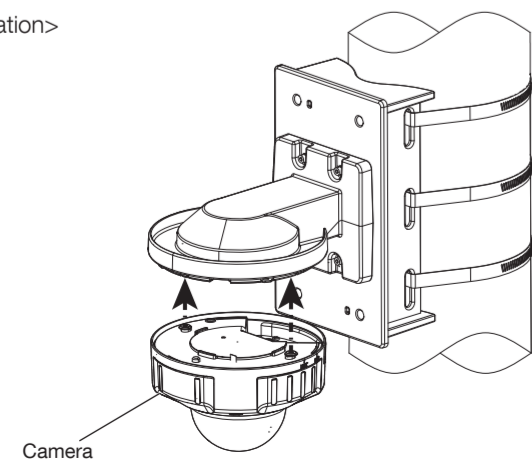
Before attaching this product to WV-QWL500-W, install the attachment plate (camera accessory) with an attachment fixing screw (WV-QWL500-W accessory). Refer to the operating instructions of the camera wall mount bracket (WV-QWL500-W) for preparations in advance.

- ① Pass the cable coming from the through-hole of WV-QPL500-W through WV-QWL500-W and fix it with M4 × 20 mm {25/32 inches} hexagon screws (4 pcs.) (accessories). (Recommended tightening torque: 1.37 N·m {1.01 lbf·ft})



- ② Connect the cable to the camera and then install the camera. For details about the connection of the cable, the installation of the camera, waterproofing, etc. refer to the operating instructions of WV-QWL500-W and the camera.

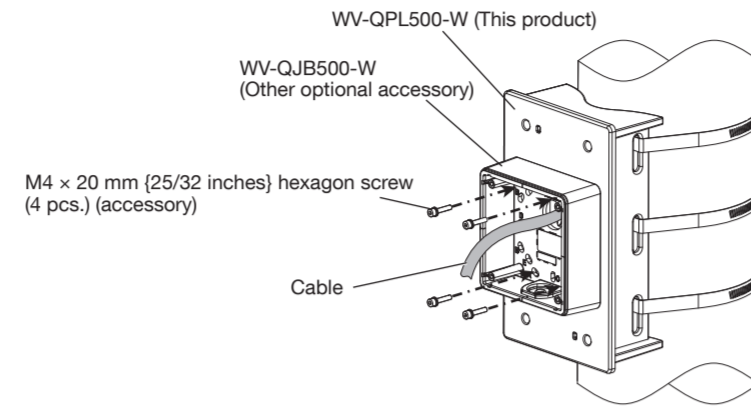
<Example of installation>



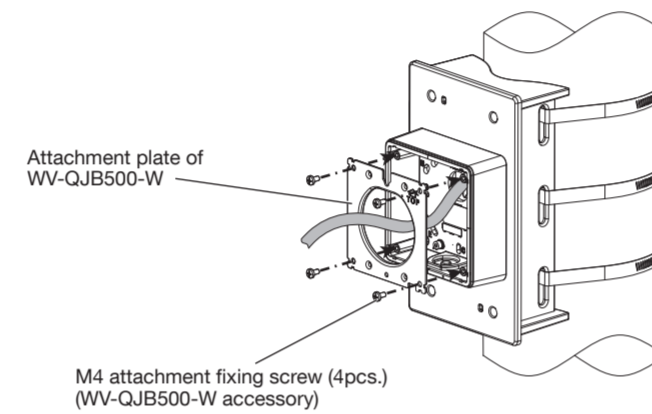
WV-X25xx series

Ⓒ Install the camera by using this product with Wall Mount Bracket (WV-QWL500-W) and Adapter Box (WV-QJB500-W).

- ① Pass the cable coming from this product through the base bracket of WV-QJB500-W and fix the base bracket of WV-QJB500-W by using M4 × 20 mm {25/32 inches} hexagon screws (4 pcs.) (accessory). (Recommended tightening torque: 1.37 N·m {1.01 lbf·ft})

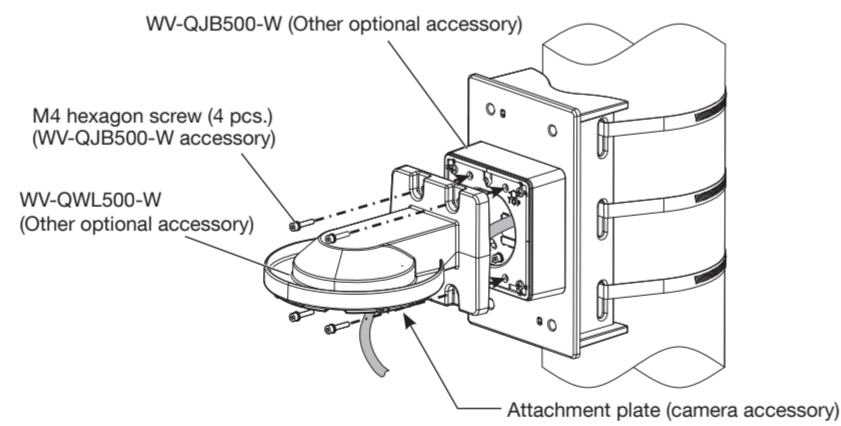


- ② Install the attachment plate of WV-QJB500-W as described in the operating instructions of WV-QJB500-W. (Recommended tightening torque: 1.37 N·m {1.01 lbf·ft})



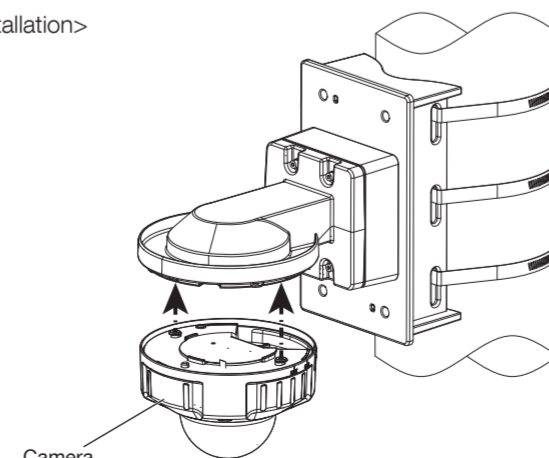
- ③ As described in the operating instructions of WV-QJB500-W and WV-QWL500-W, install WV-QWL500-W to WV-QJB500-W with M4 hexagon screws (4 pcs.) (WV-QJB500-W accessory).

* Before attaching WV-QWL500-W to WV-QJB500-W, install the attachment plate (camera accessory) to WV-QWL500-W with an attachment fixing screw (WV-QWL500-W accessory). Refer to the operating instructions of WV-QWL500-W for preparations in advance. (Recommended tightening torque: 1.37 N·m {1.01 lbf·ft})



- ④ Connect the cable to the camera and then install the camera. For details about the connection of the cable, the installation of the camera, waterproofing, etc. refer to the operating instructions of WV-QWL500-W and the camera.

<Example of installation>



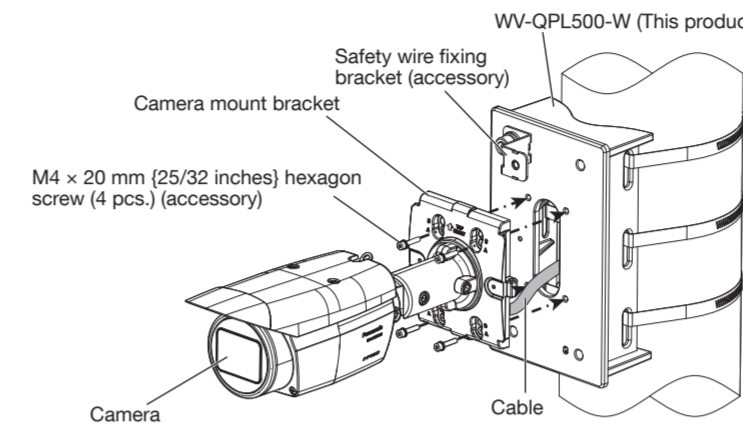
WV-X25xx series

Ⓓ Directly attach the camera to this product.

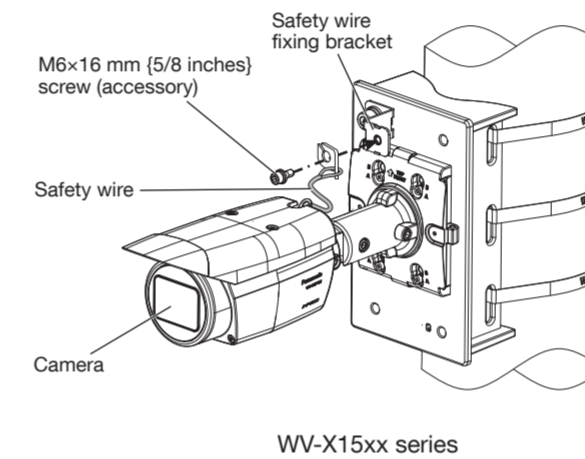
<In case of the camera with a square shaped camera mount bracket and a safety wire>

For details about how to install the safety wire fixing bracket, refer to "■ When the camera is directly attached to this product and the camera equipped with a safety wire."

- ① Connect the cable coming from this product to the camera. For details about the connection and waterproofing, refer to the operating instructions of the camera.
 - ② Align the four installation holes of camera mount bracket with the M4 screw holes (4 places) of this product, and fix the camera with M4 × 20 mm {25/32 inches} hexagon screws (4 pcs.) (accessory). (Recommended tightening torque: 1.37 N·m {1.01 lbf·ft})
- For the fixing of camera and installation of camera mount bracket cover (accessory attached with the camera), please refer to the operating instructions of the camera.

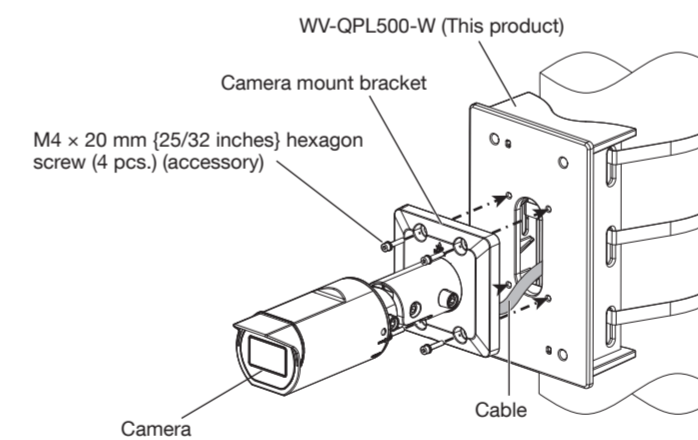


- ③ Use one M6 × 16 mm {5/8 inches} hexagon screw (accessory) to fix the safety wire of the camera onto the safety wire fixing bracket (accessory). (Recommended tightening torque: 2.45 N·m {1.81 lbf·ft})

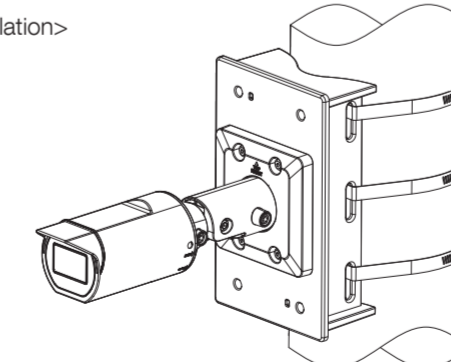


<In case of the camera without a safety wire>

- ① Connect the cable coming from this product to the camera. For details about the connection and waterproofing, refer to the operating instructions of the camera.
- ② Align the four installation holes of camera mount bracket with the M4 screw holes (4 places) of this product, and fix the camera with M4 × 20 mm {25/32 inches} hexagon screws (4 pcs.) (accessory). (Recommended tightening torque: 1.37 N·m {1.01 lbf·ft})



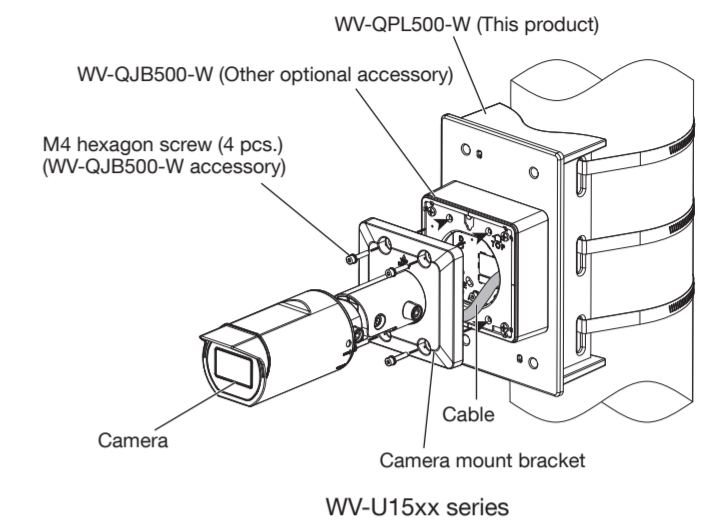
<Example of installation>



WV-U15xx series

Ⓔ Install the camera by using this product and Adapter Box (WV-QJB500-W).

- ① By referring to steps ① and ② of the procedure ③, attach WV-QJB500-W to this product.
- ② As described in the operating instructions of the camera and WV-QJB500-W, connect the cable to the camera.
- ③ Align the four installation holes of camera mount bracket with the M4 screw holes (4 places) of WV-QJB500-W, and fix the camera with M4 hexagon screws (4 pcs.) (WV-QJB500-W accessory). (Recommended tightening torque: 1.37 N·m {1.01 lbf·ft})



WV-U15xx series