



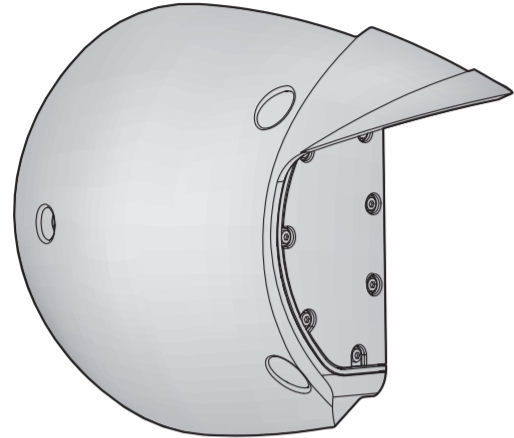
# Operating Instructions

Included Installation Instructions

## Extension Unit

Model No. **WV-SUD6FRL1**  
(Natural silver)

**WV-SUD6FRL-H / WV-SUD6FRL-T**  
(Gray) (Brown)



Before attempting to connect or install this product, please read these instructions carefully and save this manual for future use. The model number is abbreviated in some descriptions in this manual.

**For U.S. and Canada:**  
i-PRO Americas Inc.  
https://www.i-pro.com/

**For Europe and other countries:**  
i-PRO Co., Ltd. Fukuoka, Japan  
https://www.i-pro.com/

i-PRO EMEA B.V. UK Branch  
1010 Cambourne Business Park,  
Cambridgeshire CB23 6DP

Authorised Representative in EU:  
i-PRO EMEA B.V.  
Laarderhoogweg 25, 1101 EB  
Amsterdam, Netherlands



© i-PRO Co., Ltd. 2022

Ns0816-3042 PGQX2064WA Printed in China

## Features

This is the extension unit (IR LED unit) which can be attached to WV-SUD638 series network cameras.  
It is used view images at night or in dark environments. It will be referred to as IR LED unit from here on.

## Specifications

Ambient operating temperature: -50 °C to +55 °C [-58 °F to 131 °F]  
Ambient operating humidity: 10 % to 100 %  
IR LED irradiation distance: 150 m {492.15 feet}  
\* When the WV-SUD638 is used in the tele field of view.  
Dimensions: 55 mm (W) × 137 mm (H) × 211 mm (D)  
{2-5/32 inches (W) × 5-13/32 inches (H) × 8-5/16 inches (D)}  
Mass: Approx. 540 g {1.2 lbs}  
Finish: Unit (resin part): High-strength resin  
WV-SUD6FRL1: Natural silver  
WV-SUD6FRL-H: Gray (N7)  
WV-SUD6FRL-T: Brown (Environmental color)

## Disposal of Old Equipment Only for European Union and countries with recycling systems



This symbol on the products, packaging, and/or accompanying documents means that used electrical and electronic products must not be mixed with general household waste.  
For proper treatment, recovery and recycling of old products, please take them to applicable collection points in accordance with your national legislation.  
By disposing of them correctly, you will help to save valuable resources and prevent any potential negative effects on human health and the environment.  
For more information about collection and recycling, please contact your local municipality.  
Penalties may be applicable for incorrect disposal of this waste, in accordance with national legislation.

**WARNING:**  
•All work related to the installation of this product should be made by qualified service personnel or system installers.  
•This equipment is compliant with Class A of CISPR 32. In a residential environment this equipment may cause radio interference.  
**CAUTION:**  
•Any changes or modifications not expressly approved by the party responsible for compliance could void the user's authority to operate the equipment.  
•Before attempting to connect or operate this product, please read the label on the right side.

For Canada  
CAN ICES-3(A)/NMB-3(A)

For U.S.A.  
NOTE: This equipment has been tested and found to comply with the limits for a Class A digital device, pursuant to Part 15 of the FCC Rules. These limits are designed to provide reasonable protection against harmful interference when the equipment is operated in a commercial environment. This equipment generates, uses, and can radiate radio frequency energy and, if not installed and used in accordance with the instruction manual, may cause harmful interference to radio communications. Operation of this equipment in a residential area is likely to cause harmful interference in which case the user will be required to correct the interference at his own expense.

FCC Caution: To assure continued compliance, (example - use only shielded interface cables when connecting to computer or peripheral devices). Any changes or modifications not expressly approved by the party responsible for compliance could void the user's authority to operate this equipment.

For U.S.A.  
The model number and serial number of this product may be found on the surface of the unit.  
You should note the model number and serial number of this unit in the space provided and retain this book as a permanent record of your purchase to aid identification in the event of theft.  
Model No. \_\_\_\_\_  
Serial No. \_\_\_\_\_

⚠ : Caution, infrared radiation

**RISK GROUP 1**  
NOTICE: Use appropriate shielding or eye protection.  
**GROUPE DE RISQUE 1**  
PRUDENCE : Utilisez des lunettes de protection ou un blindage approprié.  
**リスクグループ 1**  
注意：適切なシールドまたは目の保護具を使用してください。

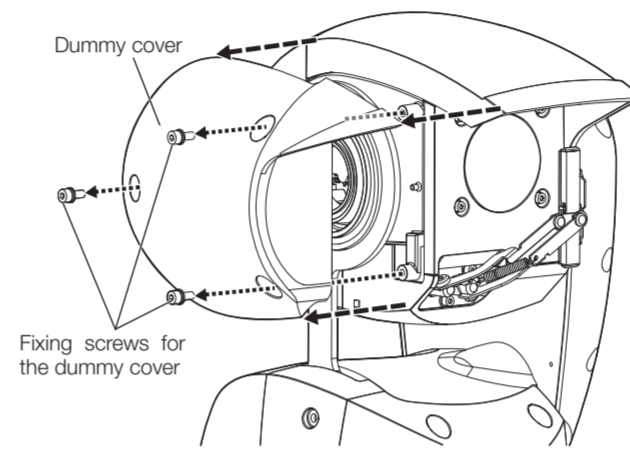
## Standard accessories

Operating Instructions (this document).....1 pc.  
Fixing screws for IR LED unit (M4 × 14 mm {9/16 inches}).....3 pcs.  
(of them, 1 for spare)  
Fixing screws for IR LED unit (M4 × 40 mm {1-9/16 inches}).....2 pcs.  
(of them, 1 for spare)

## Installation

**NOTICE: IR irradiated from this product. Use appropriate shielding or eye protection during operation.**

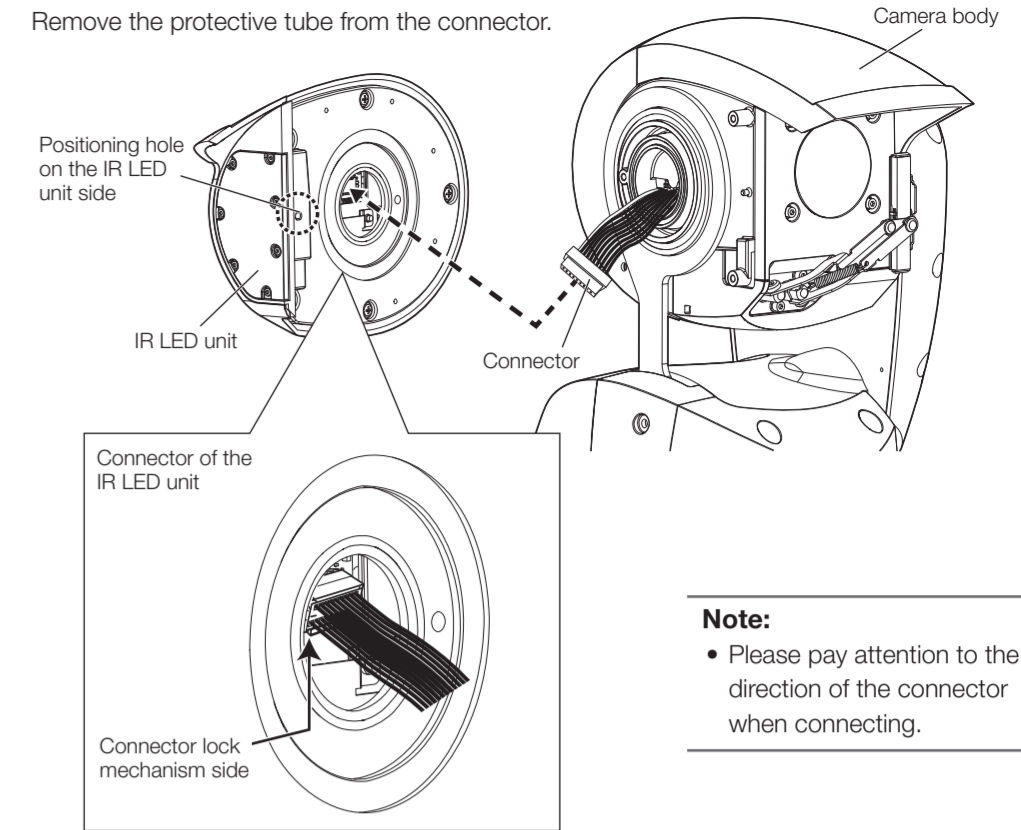
### Step 1 Remove the dummy cover from the camera body.



**Note:**  
• Please discard the dummy cover and the 3 fixing screws because they are not usable any more.  
• After removing the dummy cover from the camera body, remove the protection cover attached to the IR LED unit canopy tip, and attach it in the same position on the dummy cover.

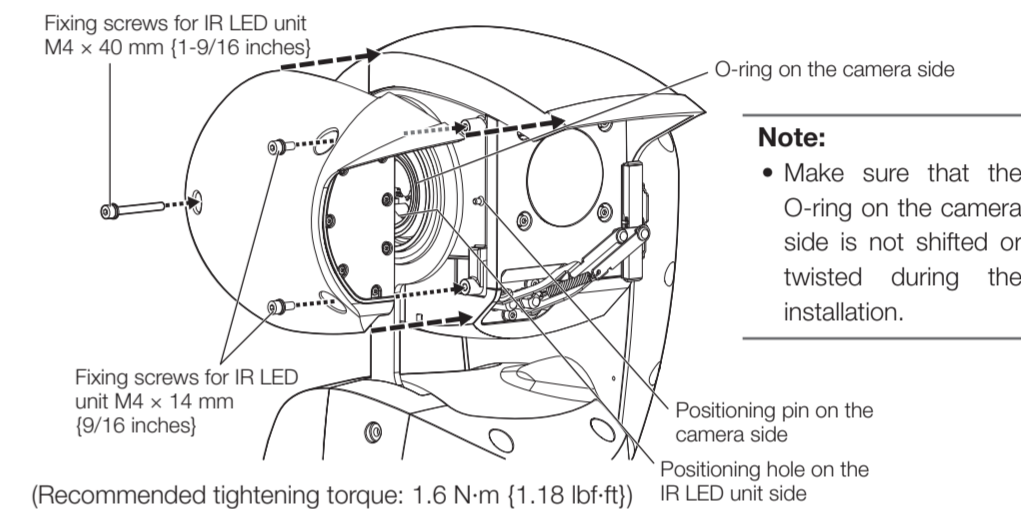
### Step 2 Connect the IR LED unit to the camera body.

Remove the protective tube from the connector.



**Note:**  
• Please pay attention to the direction of the connector when connecting.

### Step 3 Fixate the IR LED unit to the camera body.



**Note:**  
• Make sure that the O-ring on the camera side is not shifted or twisted during the installation.

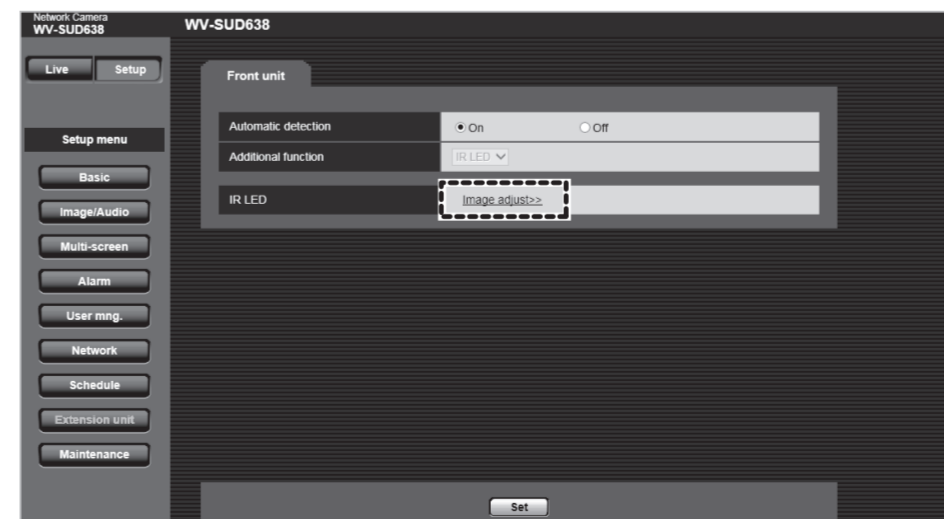
### Step 4 Configure the settings of the IR LED and perform an operational check.

**1** Refer to the camera's Installation Guide for the procedure of operating the camera to display the setting screen from the "Live" page.  
In the column of the setup menu on the left side of the screen, click the [Extension unit] button and set the [Front unit] tab items.

Setup items	Setup contents and defaults
Automatic detection	Control whether or not to auto detect the IR LED unit by selecting On/Off. <b>Default: On</b>
Additional function	Select an extension unit to use. This can only be done when "Automatic detection" is turned "Off".

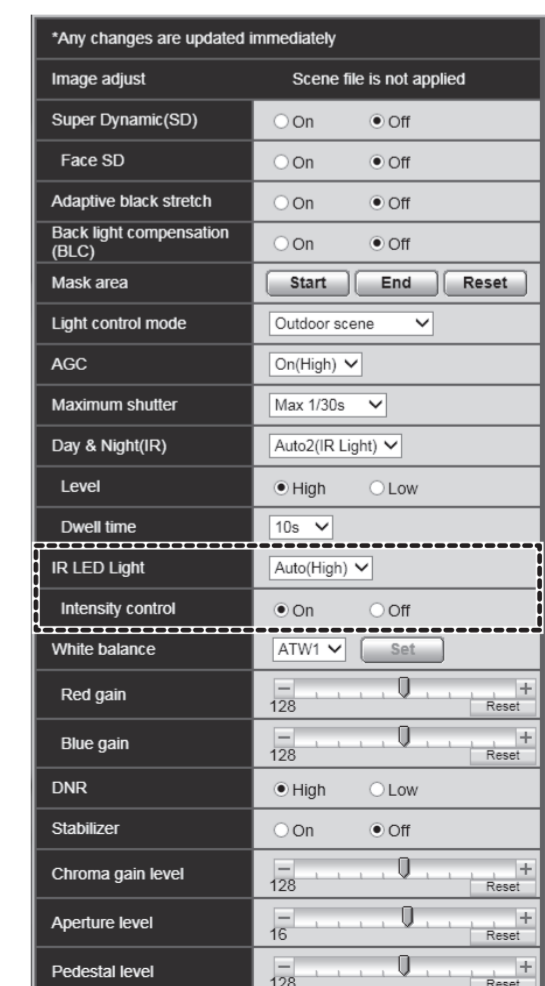
- When turning on the camera after the IR LED unit is installed, the IR LED unit will automatically be recognized and [IR LED] will be displayed in the [Additional function] settings.  
\* "Off" is displayed if the unit fails to correctly recognize the IR LED unit.  
Check again that the connectors of the IR LED unit and the camera are properly connected and turn on the camera again.

### 2 Click [Image adjust] in IR LED.



**3** Configure the settings according to your operation preferences when the image quality adjustment screen is displayed (upper right screen shot). For more information, refer to the Operating Instructions of the camera.

Setup items	Setup contents and defaults
IR LED Light	Specify whether or not you want to use the infrared illumination in black-and-white images and one of the following infrared illumination strengths. Off/Auto(High)/Auto(Mid)/Auto(Low) <b>Default: Auto(High)</b>
Intensity control	When the "Intensity control" is set to "On", the brightness will be controlled so the objects shown in the image will not be overexposed. <b>Default: On</b>



**4** When looking at the camera from the front through a digital camera or a smart phone, you can confirm the operating state of the IR LED unit by checking if the point of white light can be seen on the left side of the camera.

### Note:

- When checking during the daytime, select "On" for "Day & Night(IR)". After checking, return the setting to its original condition.
- When the IR LED is configured to be used, "Auto2(IR Light)" (uses the IR LED when it is dark) is automatically selected for "Day & Night(IR)" (method for switching between black and white images and color images) on the camera.
- When turning on or operating the camera after the IR LED unit is installed, the IR LED unit may make a sound, but it does not indicate a failure.
- When you zoom quickly after the IR LED unit is installed, the periphery of the screen may temporarily darken, but it does not indicate a failure of the camera or the IR LED unit.