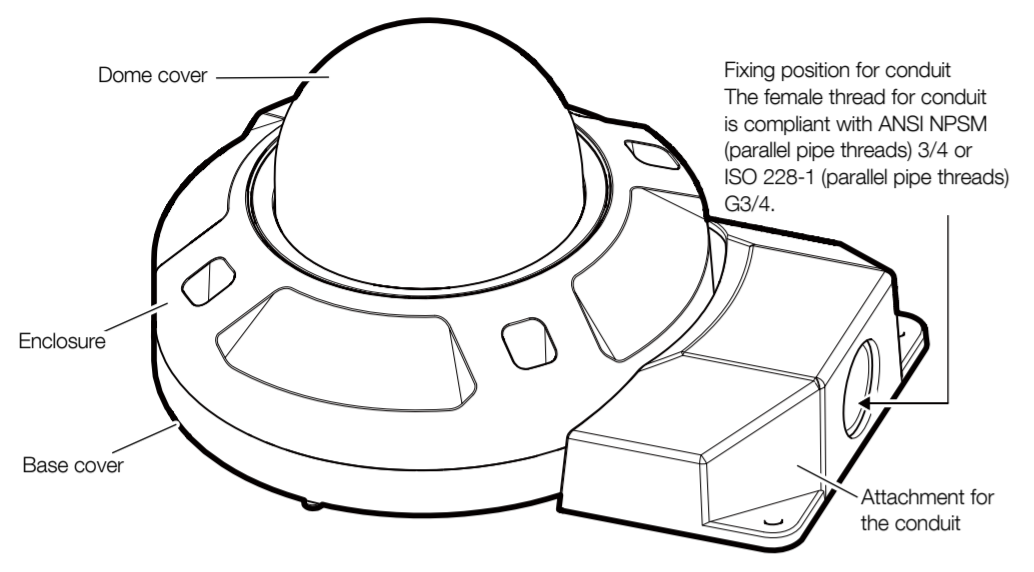
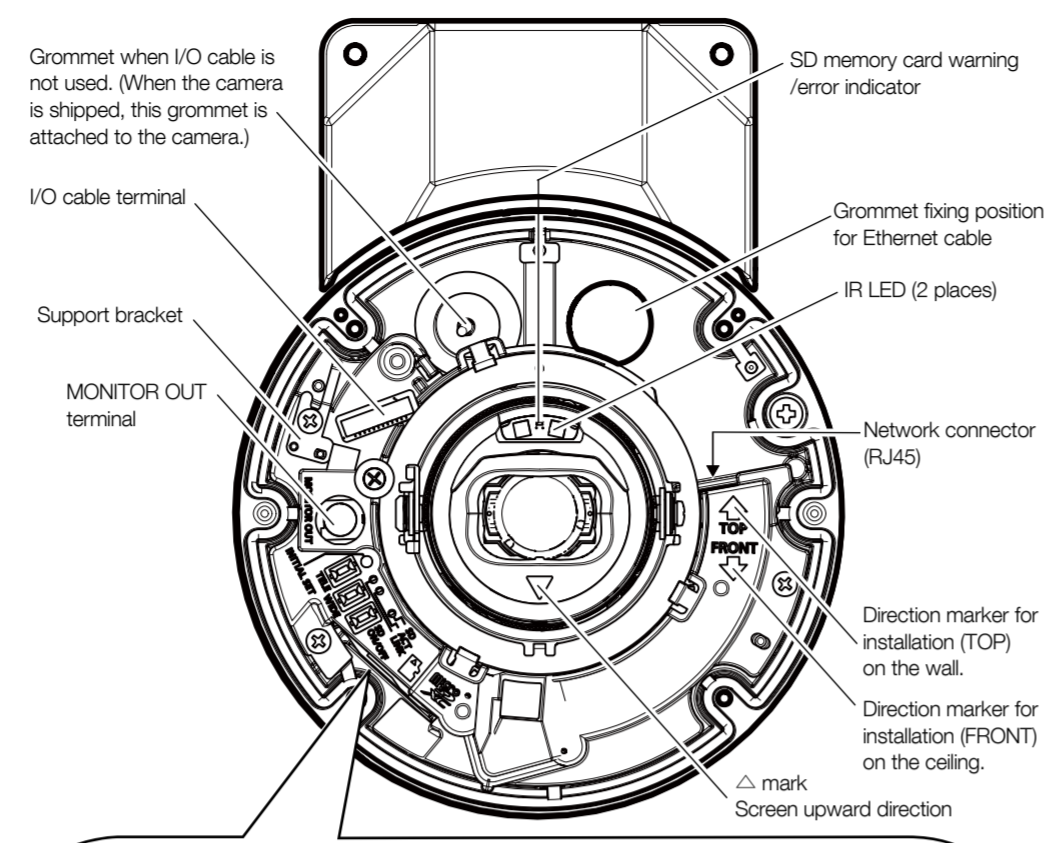


# Installation Procedure

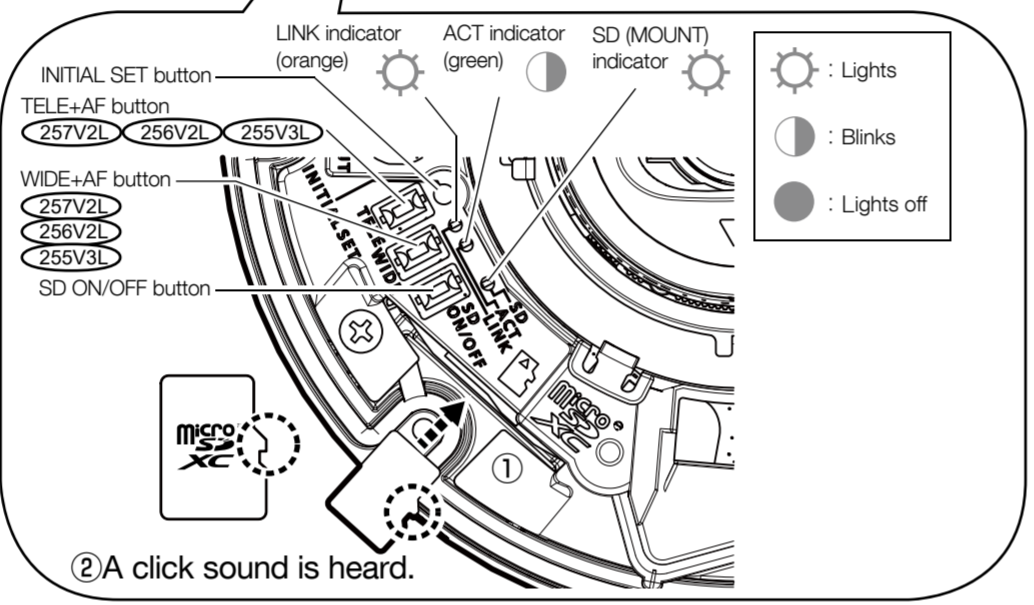
## Parts and functions



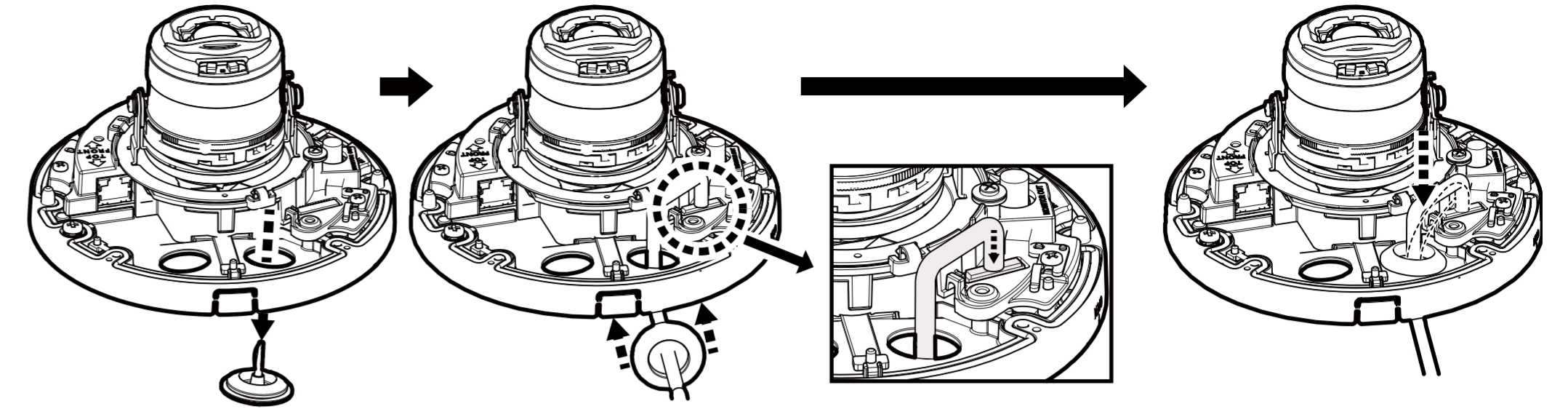
Fixing position for conduit  
The female thread for conduit is compliant with ANSI/NPSM (parallel pipe threads) 3/4 or ISO 228-1 (parallel pipe threads) G3/4.



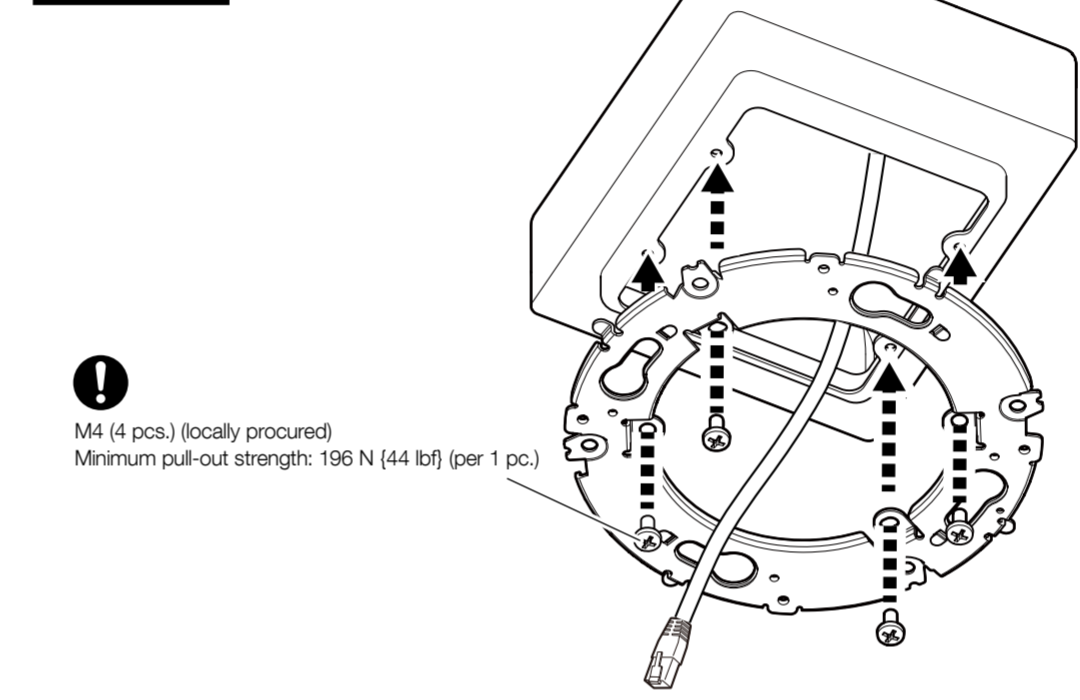
- Operating Instructions "Indicators"
  - ☀ : Lights
  - : Blinks
  - : Lights off
  - : All off
- Operating Instructions "Format the microSD memory card"
- Use a microSD memory card dedicated to i-PRO cameras.



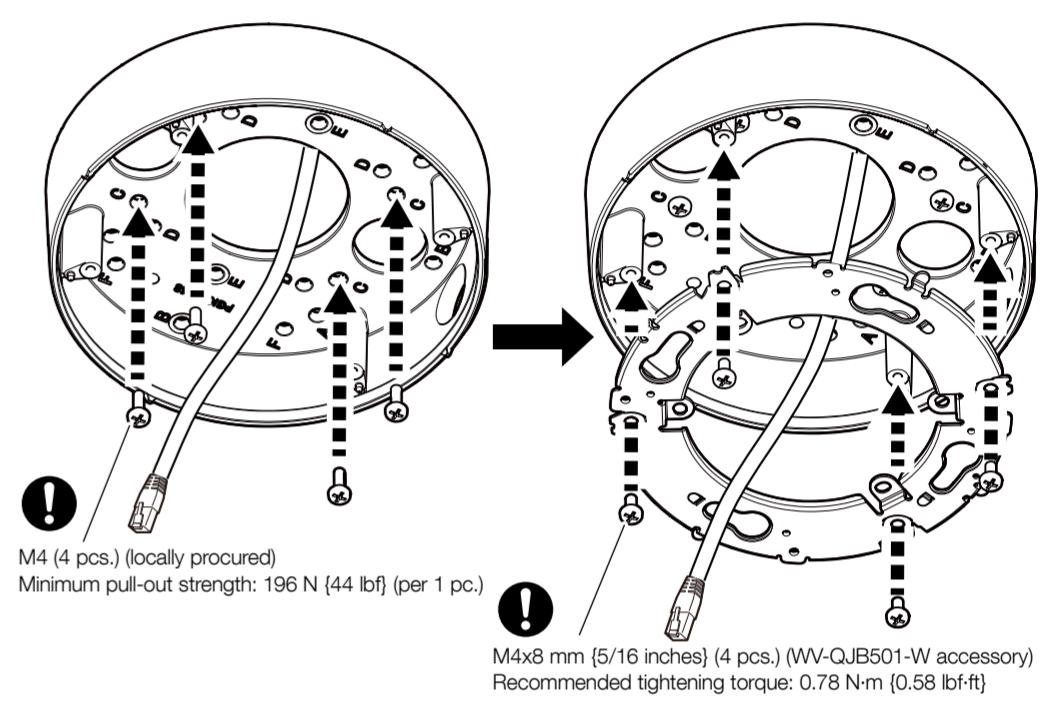
### When using an I/O cable (WV-QCA501A: optional accessory)



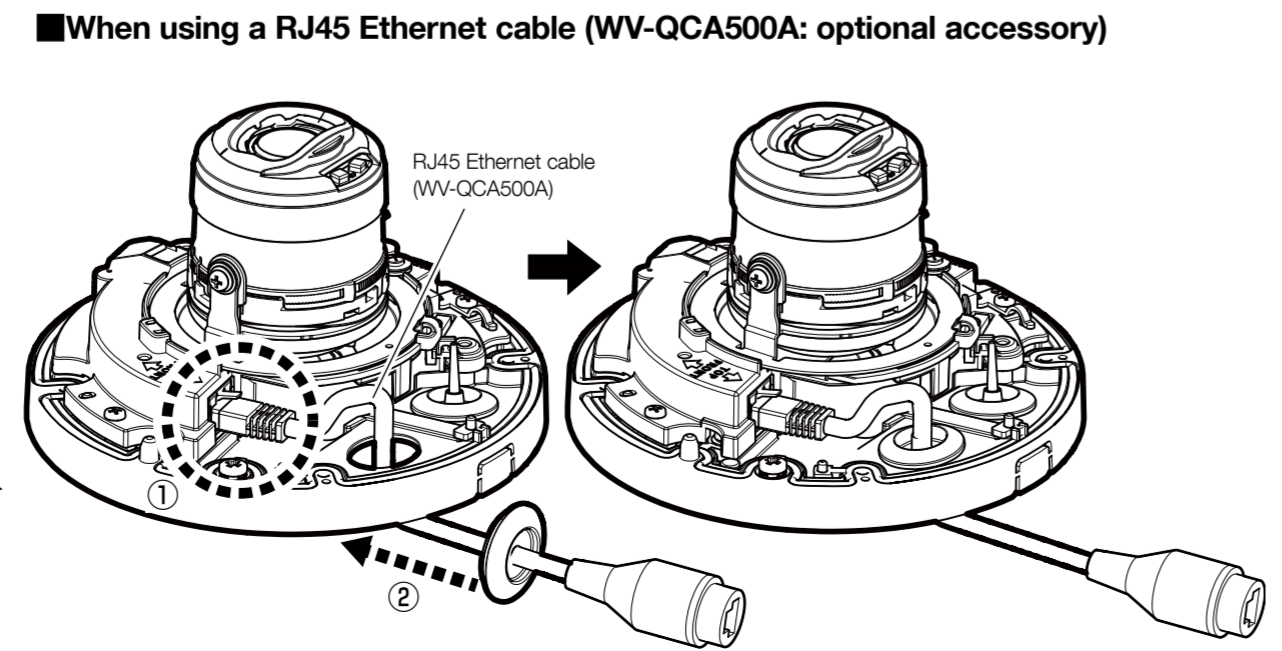
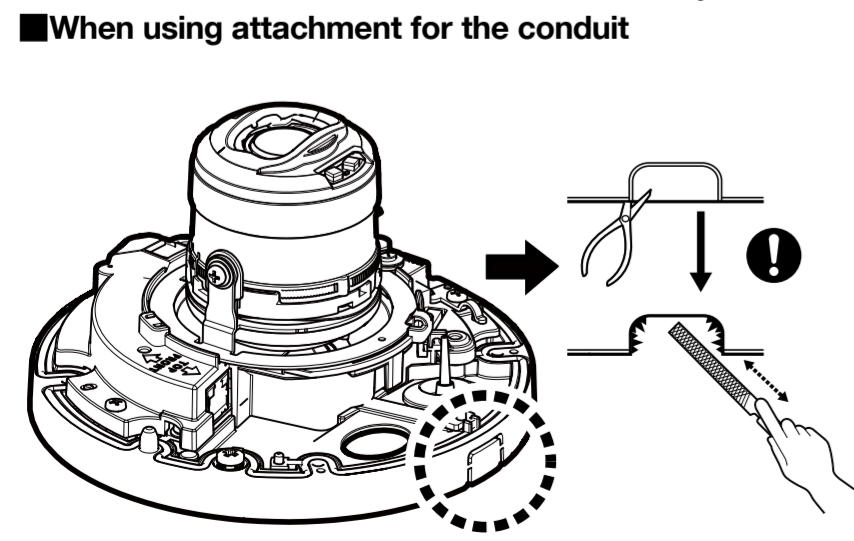
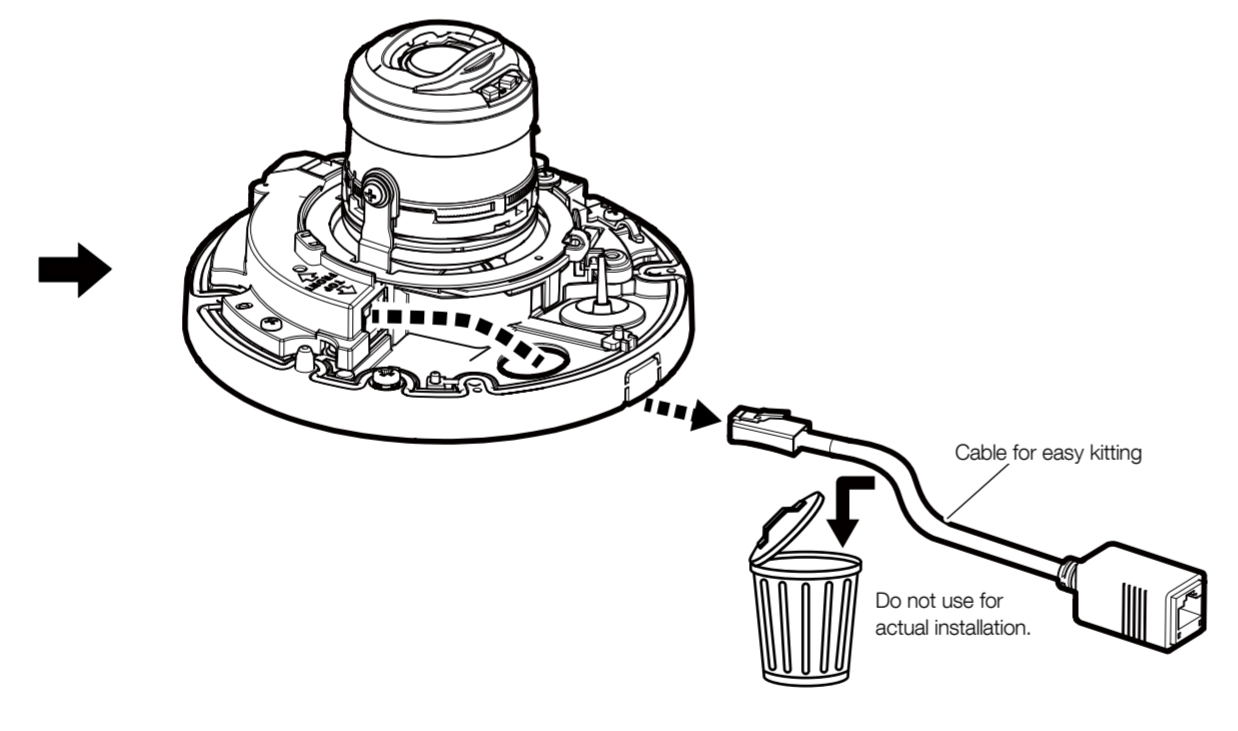
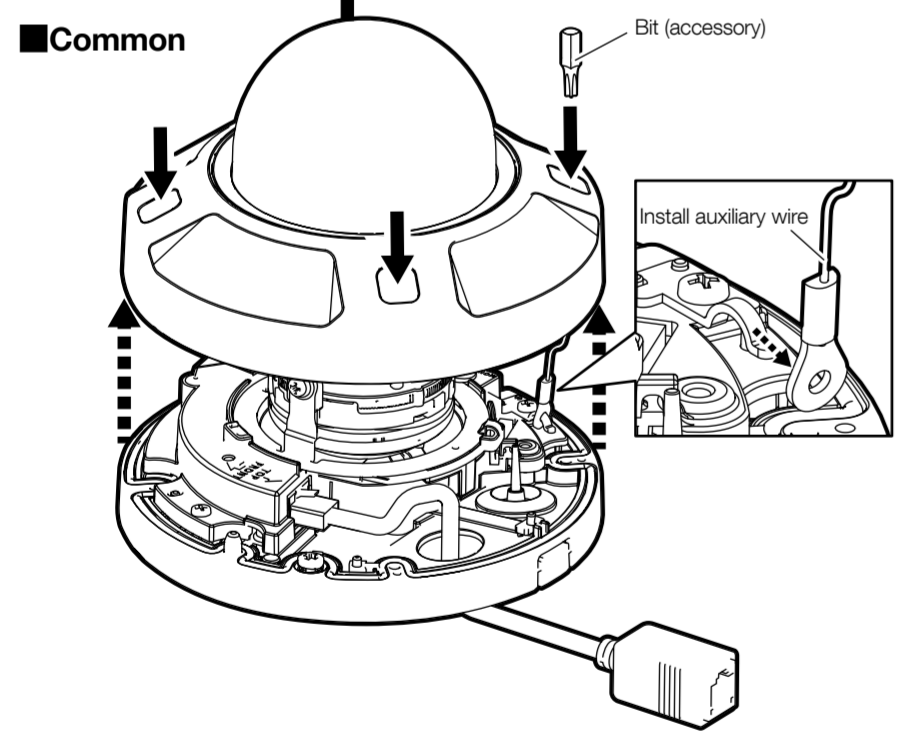
### Step2 Gangbox/ junction box



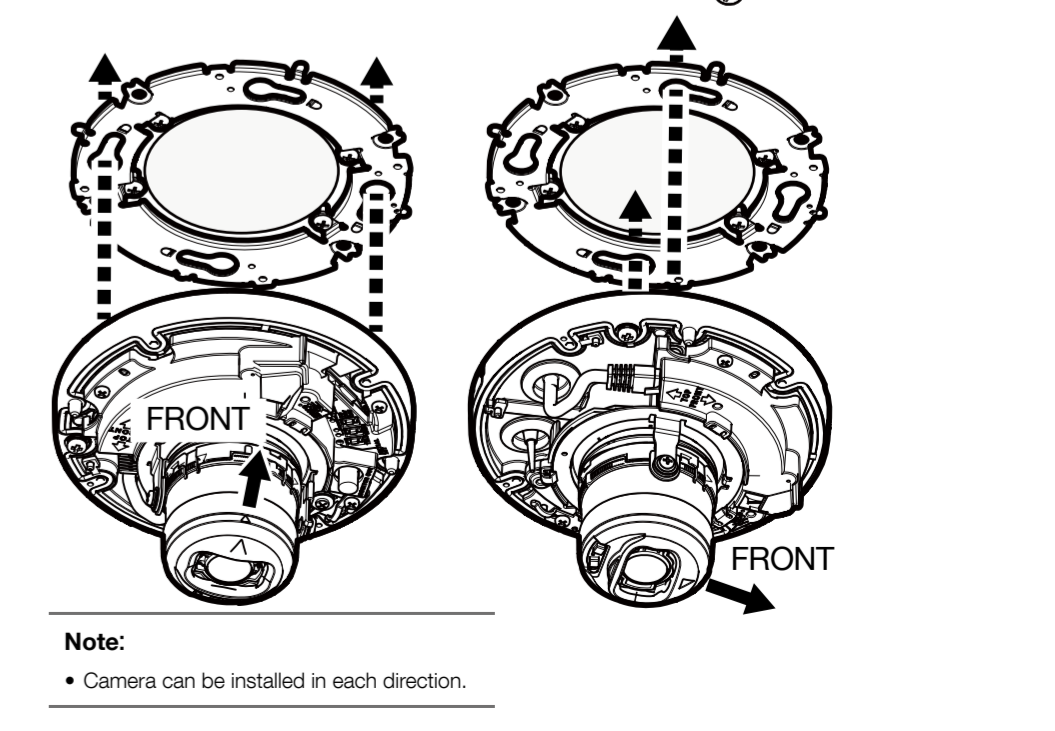
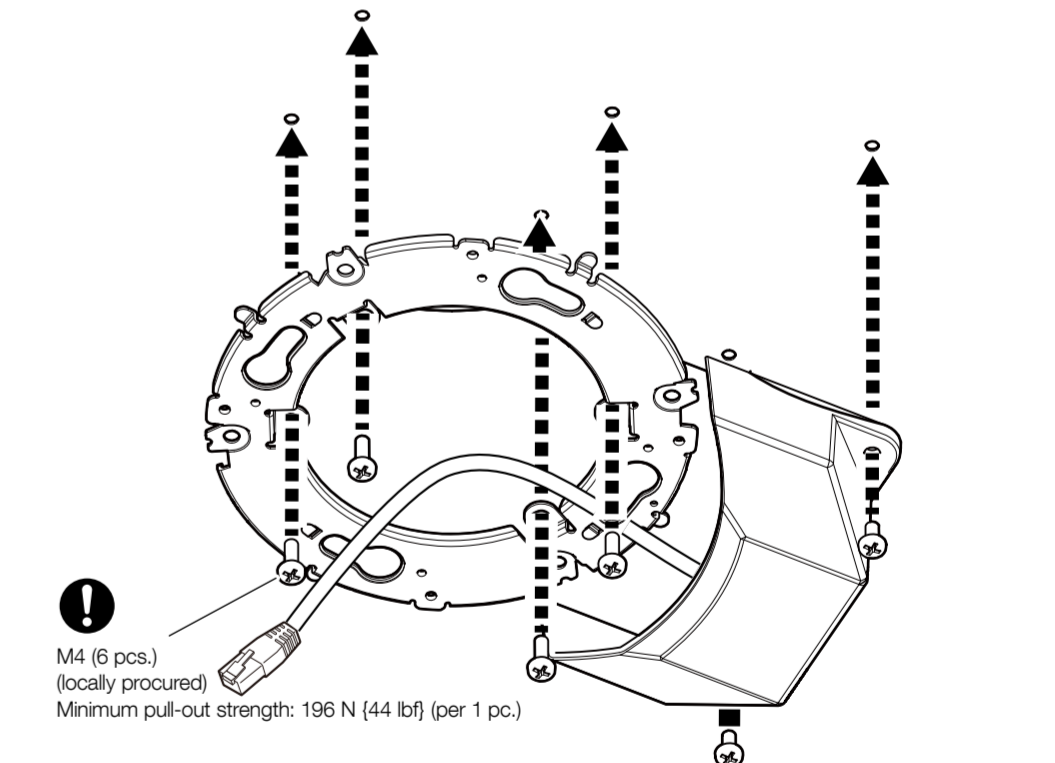
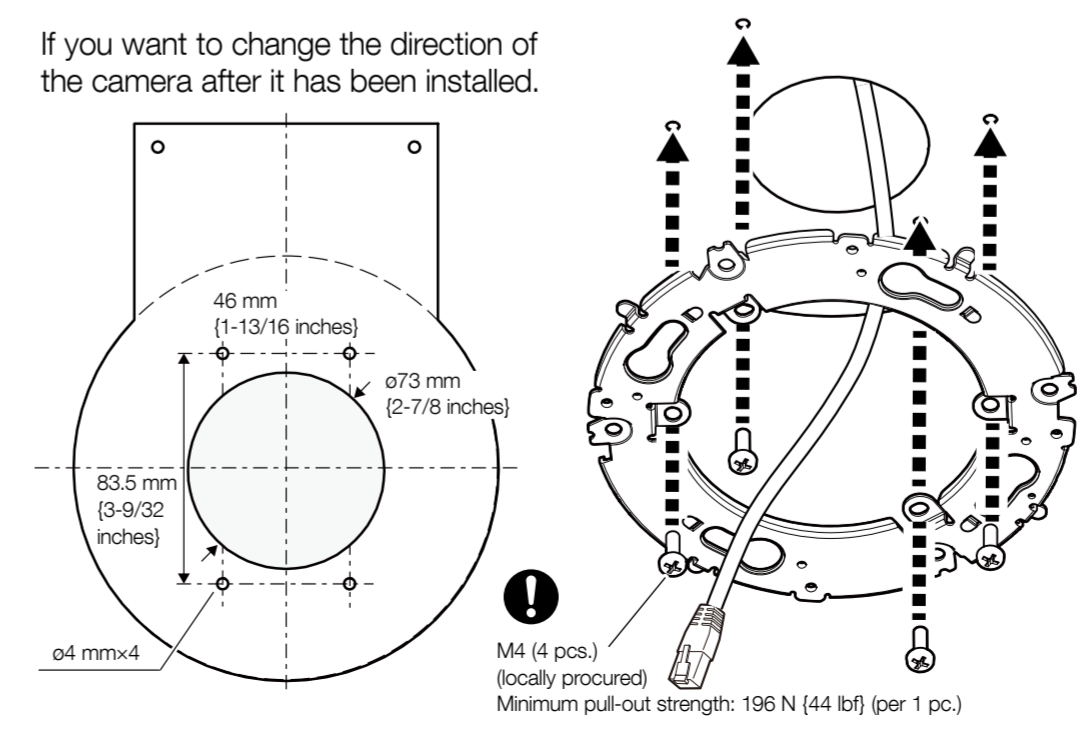
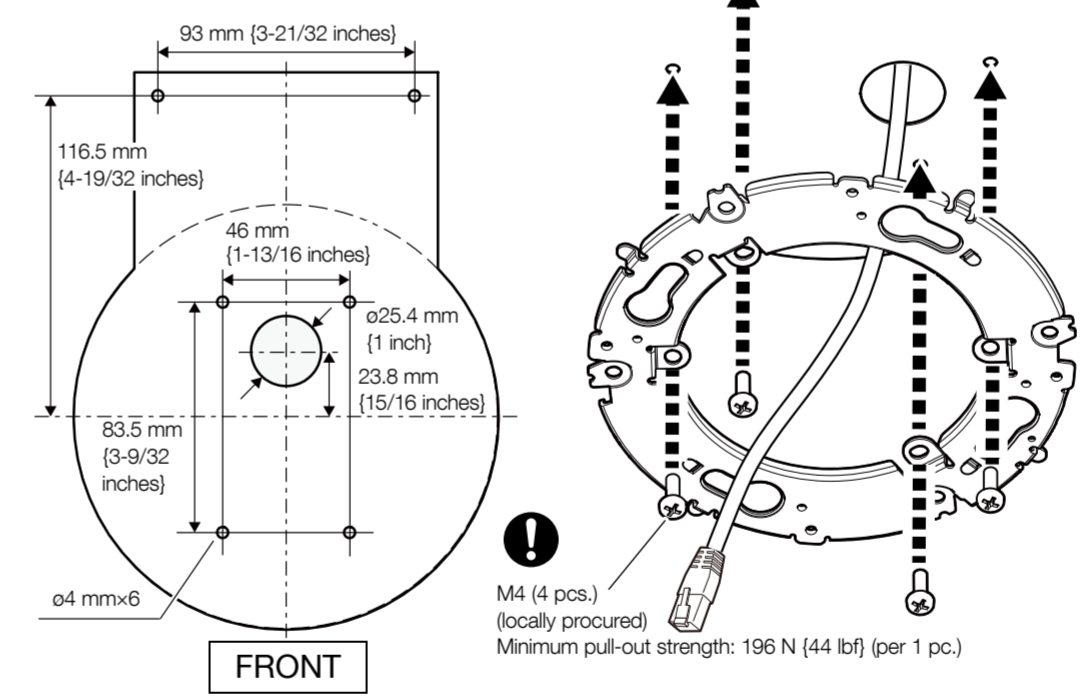
### Base bracket (WV-QJB501-W)



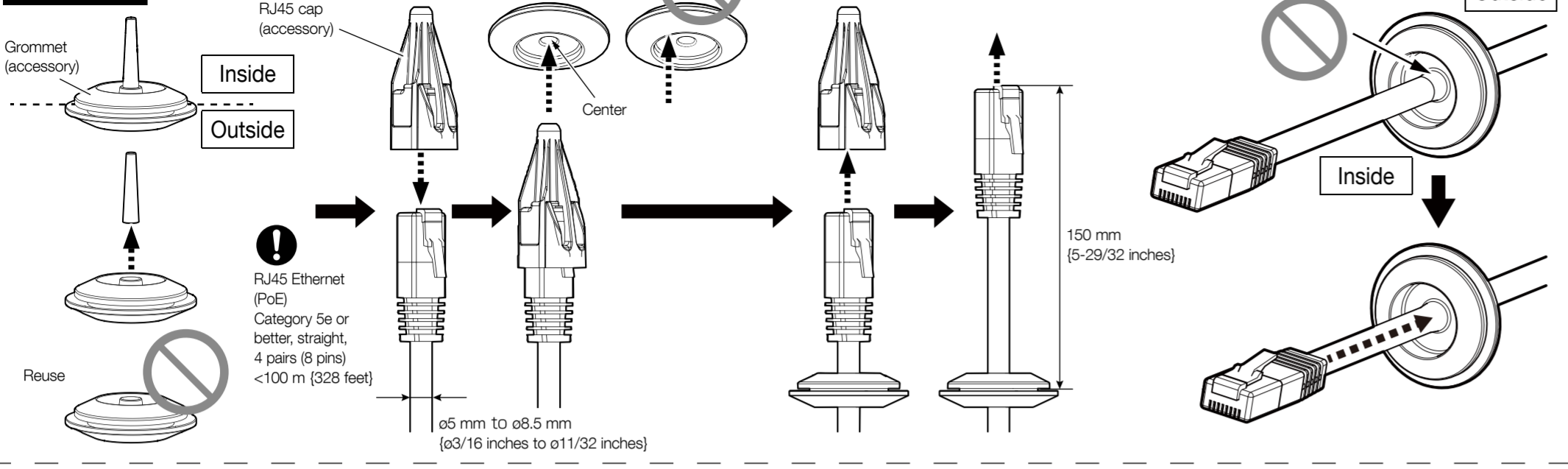
## Step1 Preparations



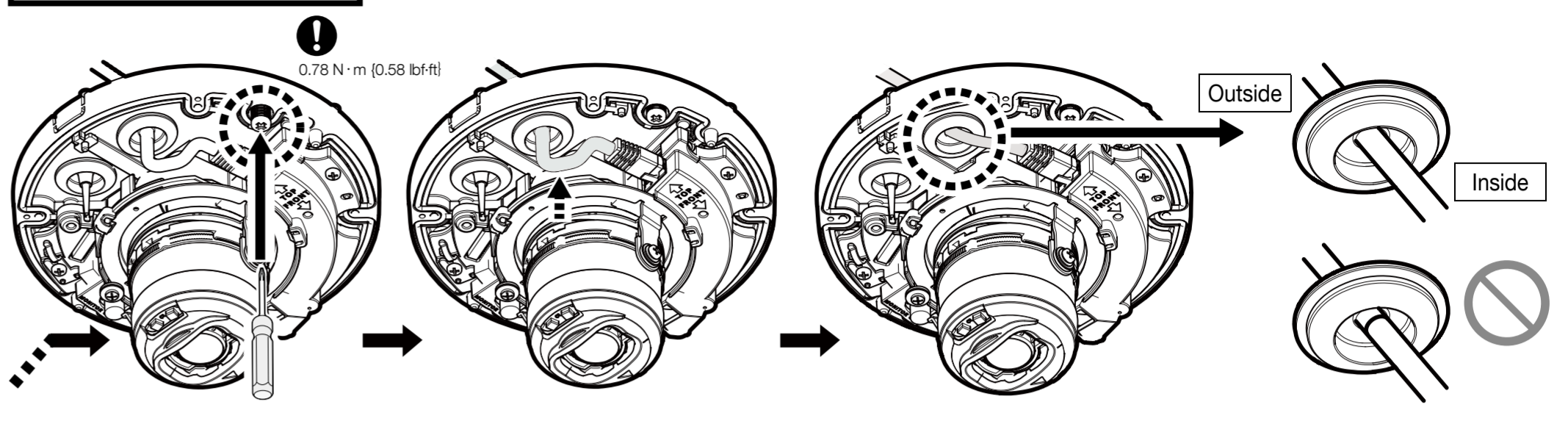
### Directly mount the camera



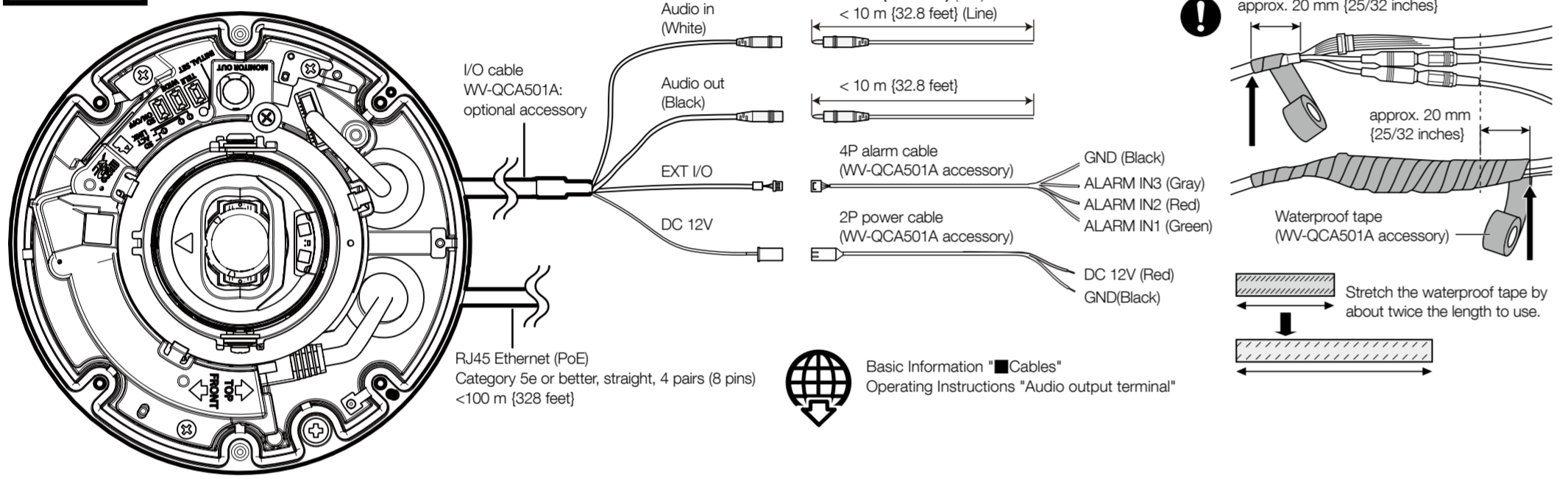
### Step3



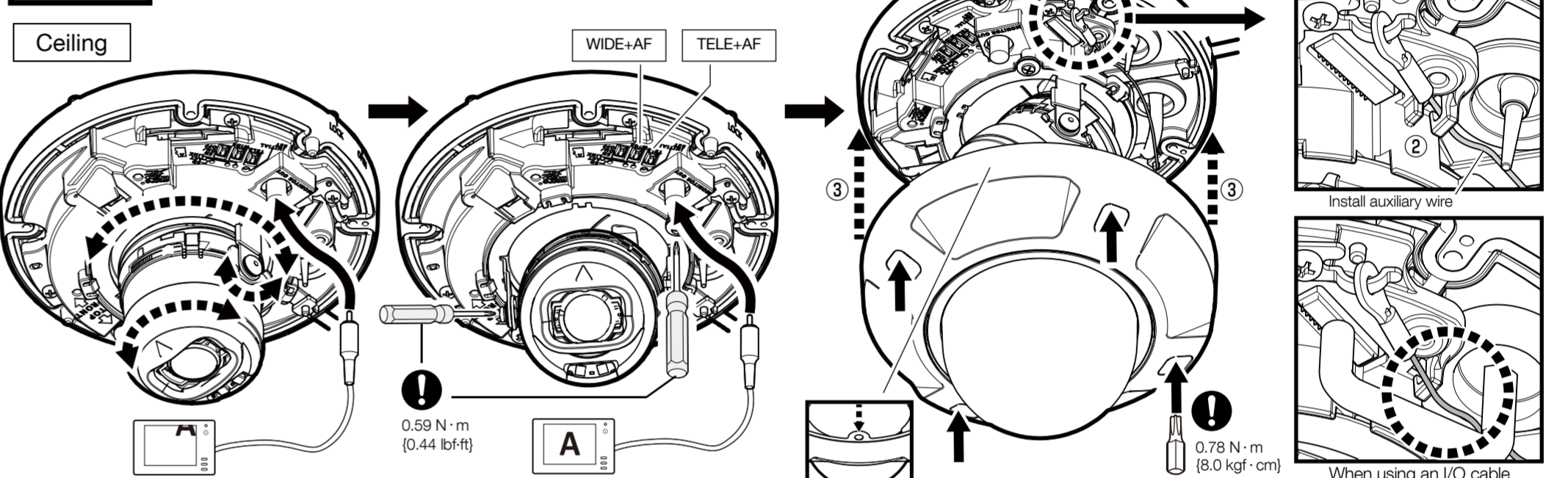
### Step5 (Continued)



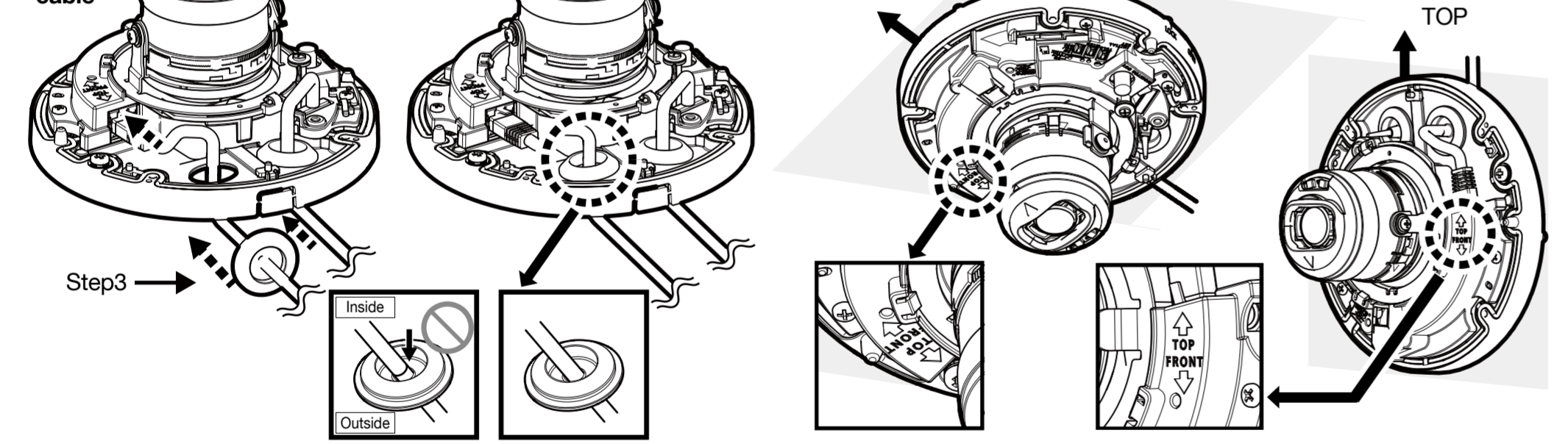
### Step4



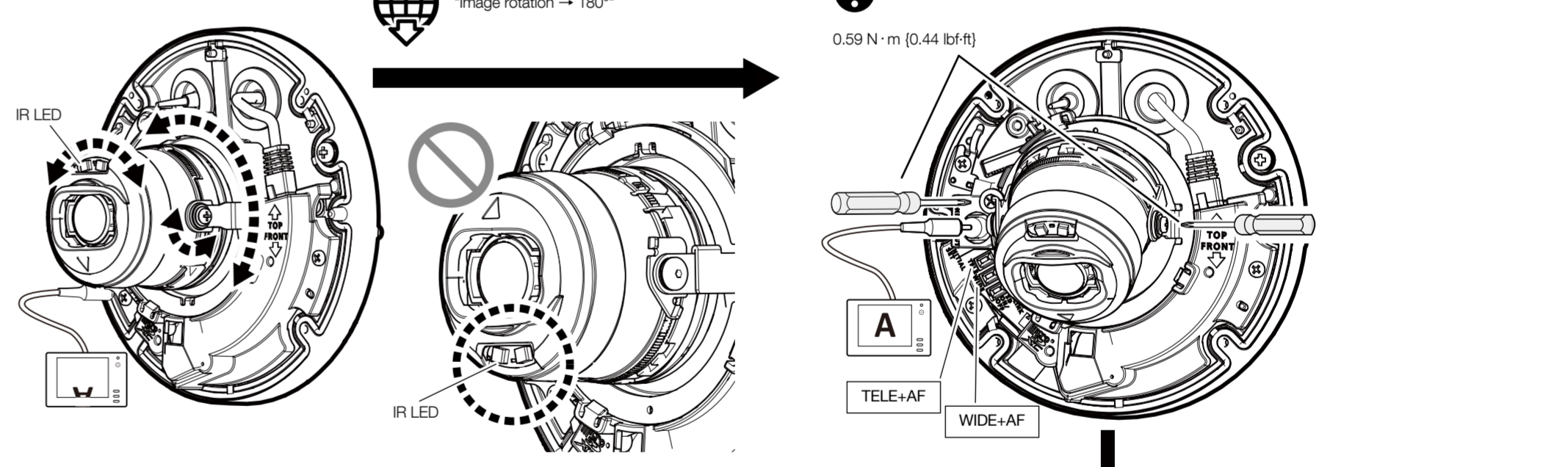
### Step6



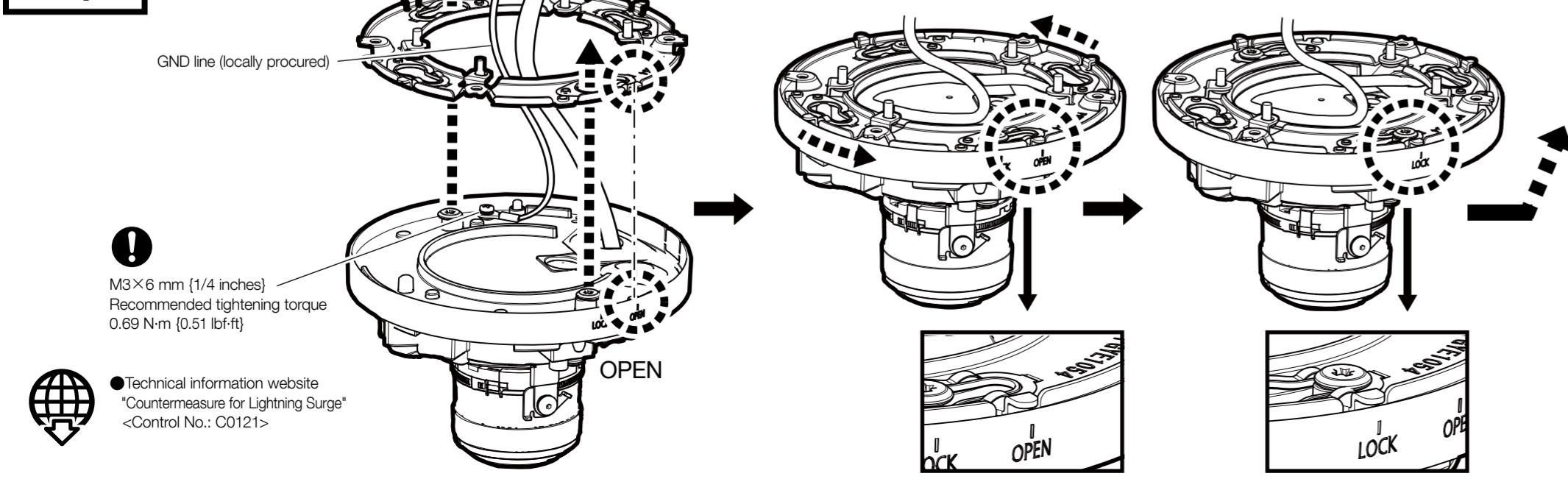
### RJ45 Ethernet cable



### Wall



### Step5



### Step7

