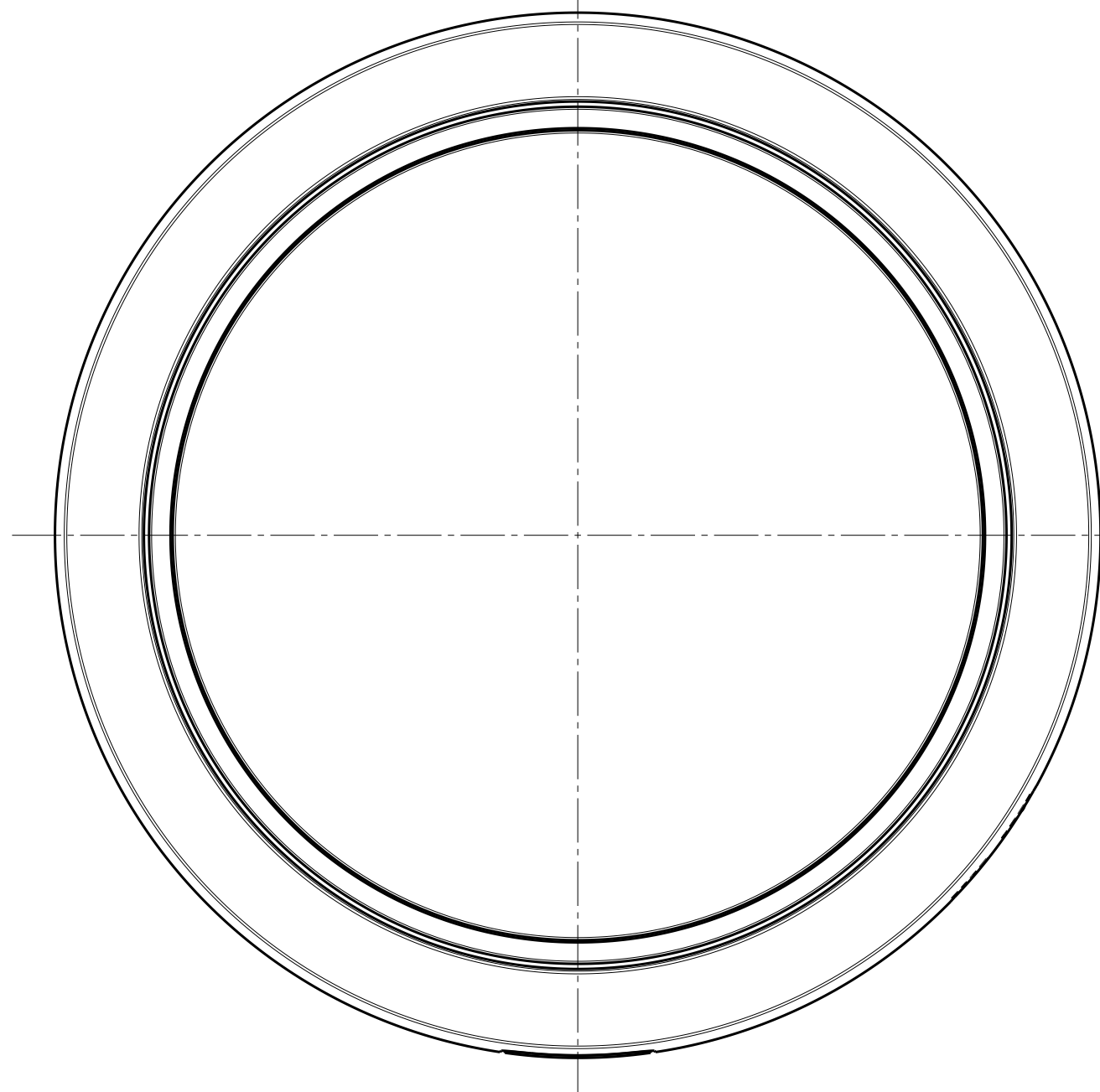
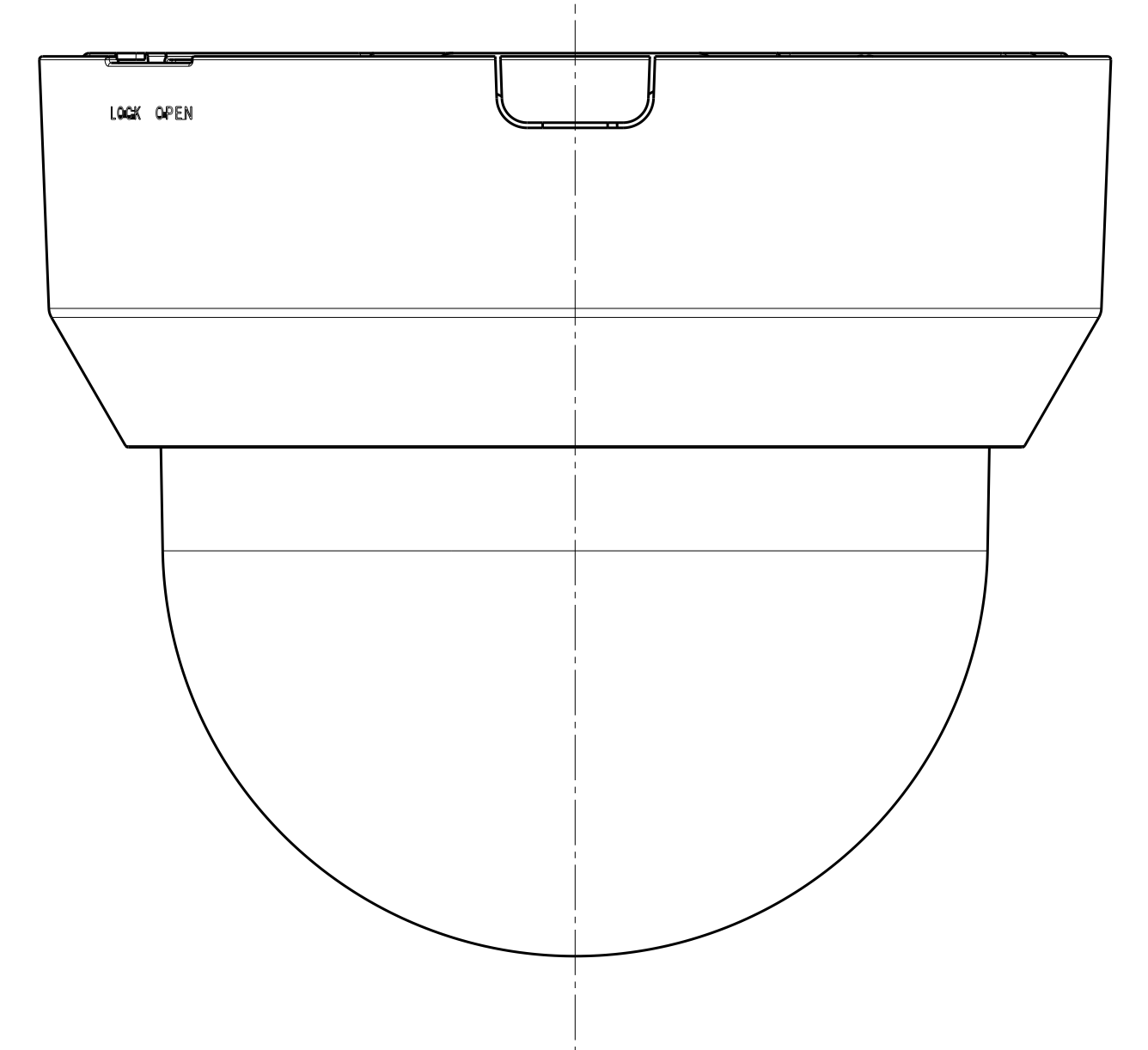
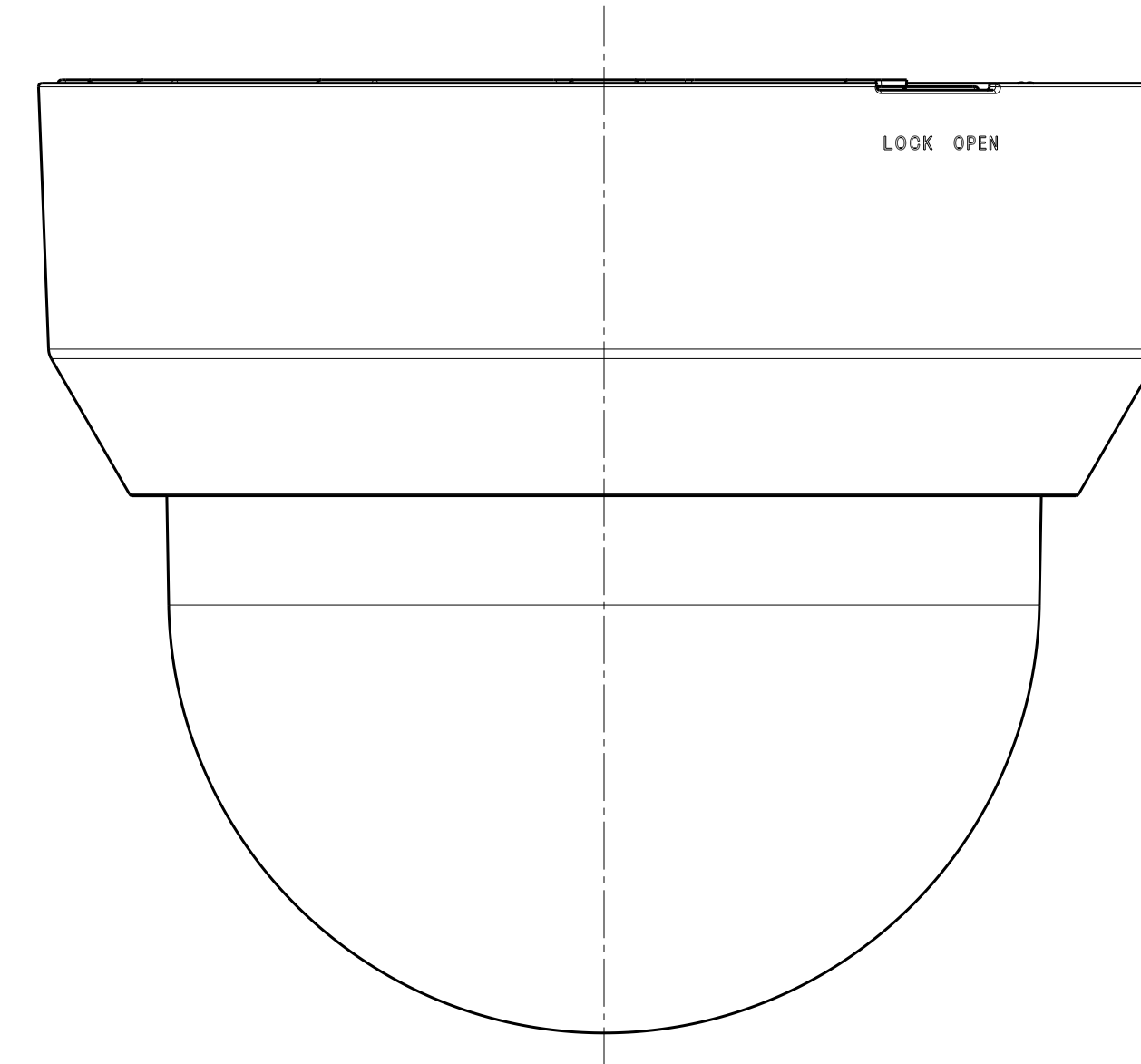
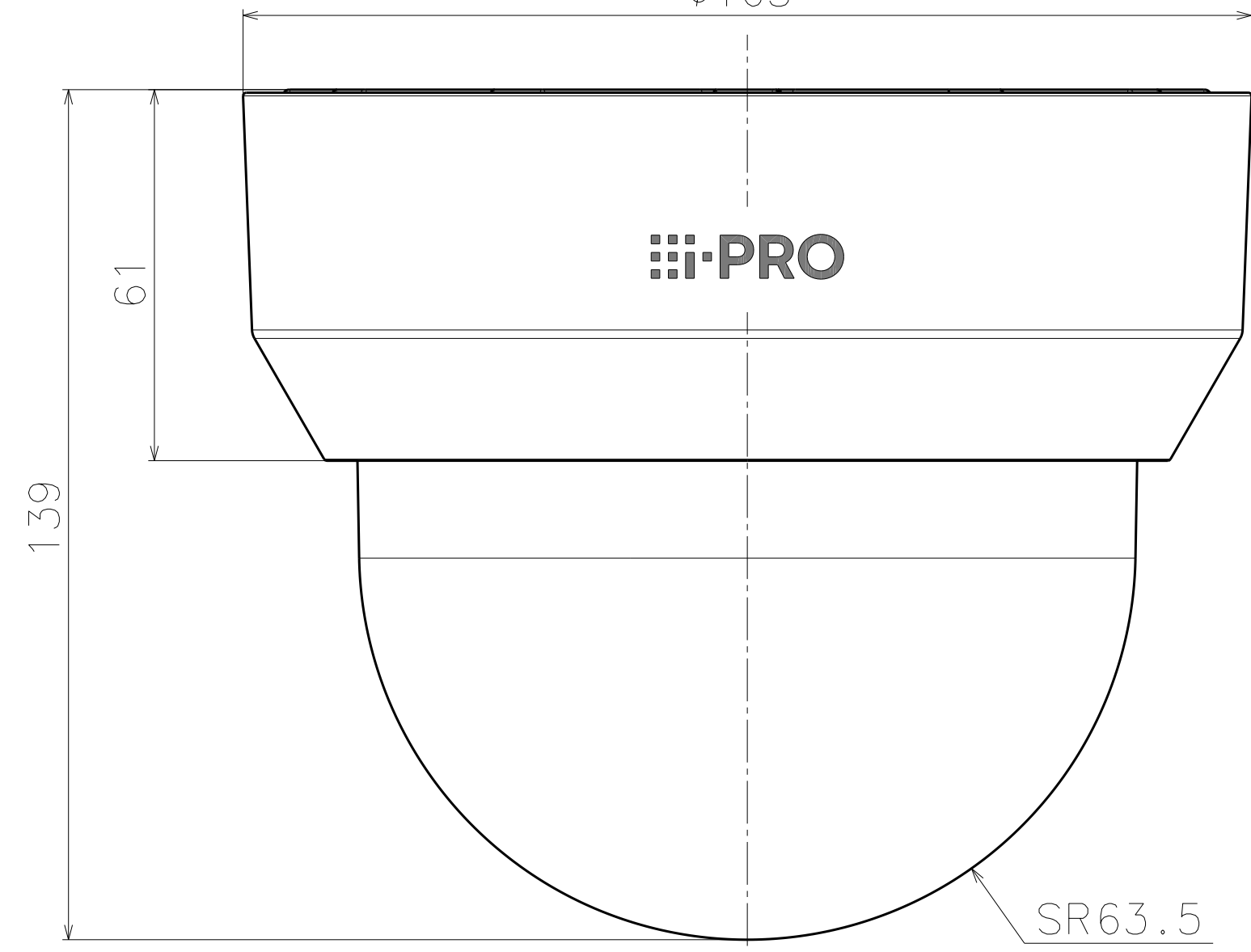
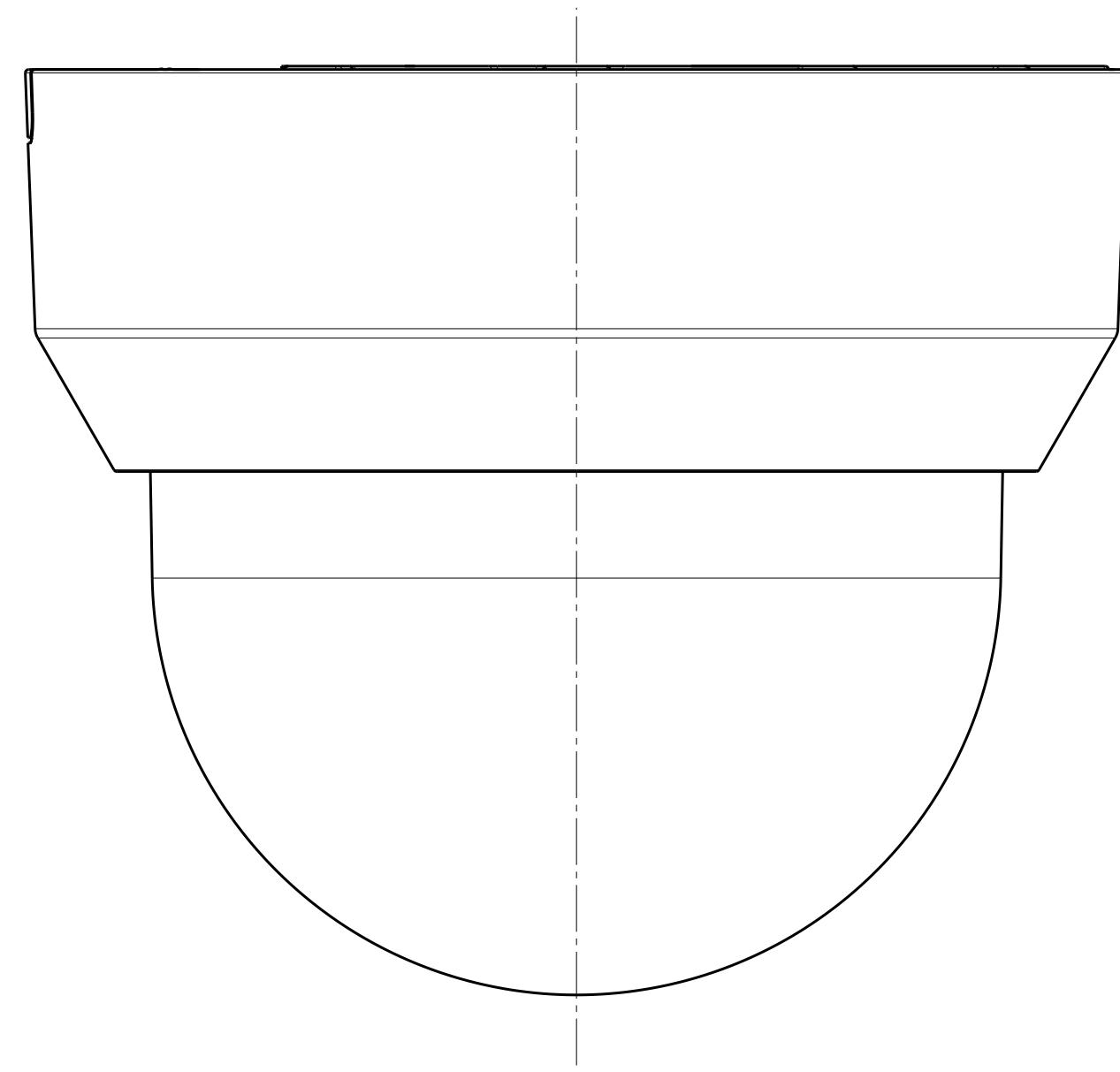
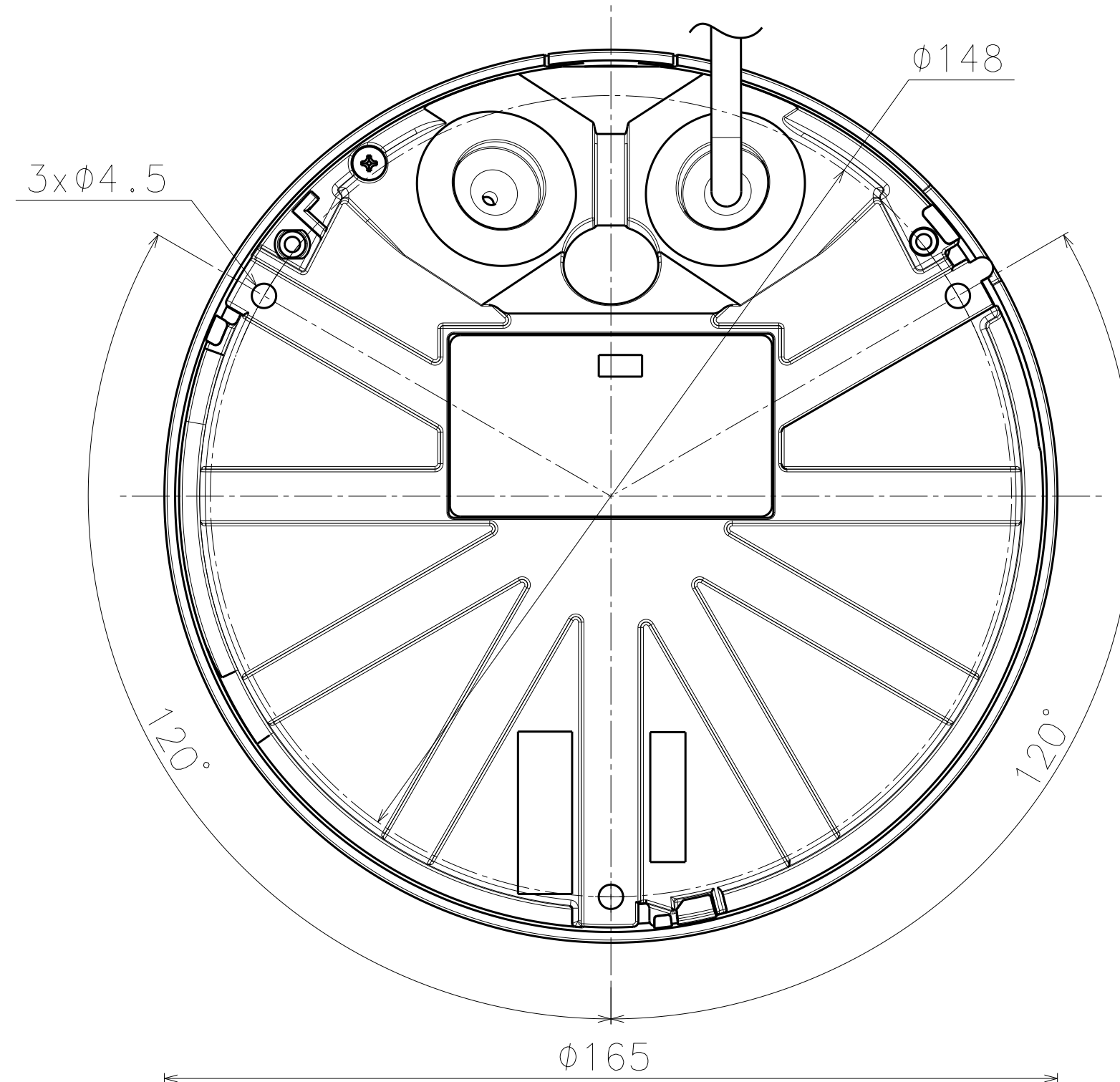


Object model : WV-B65301-Z1

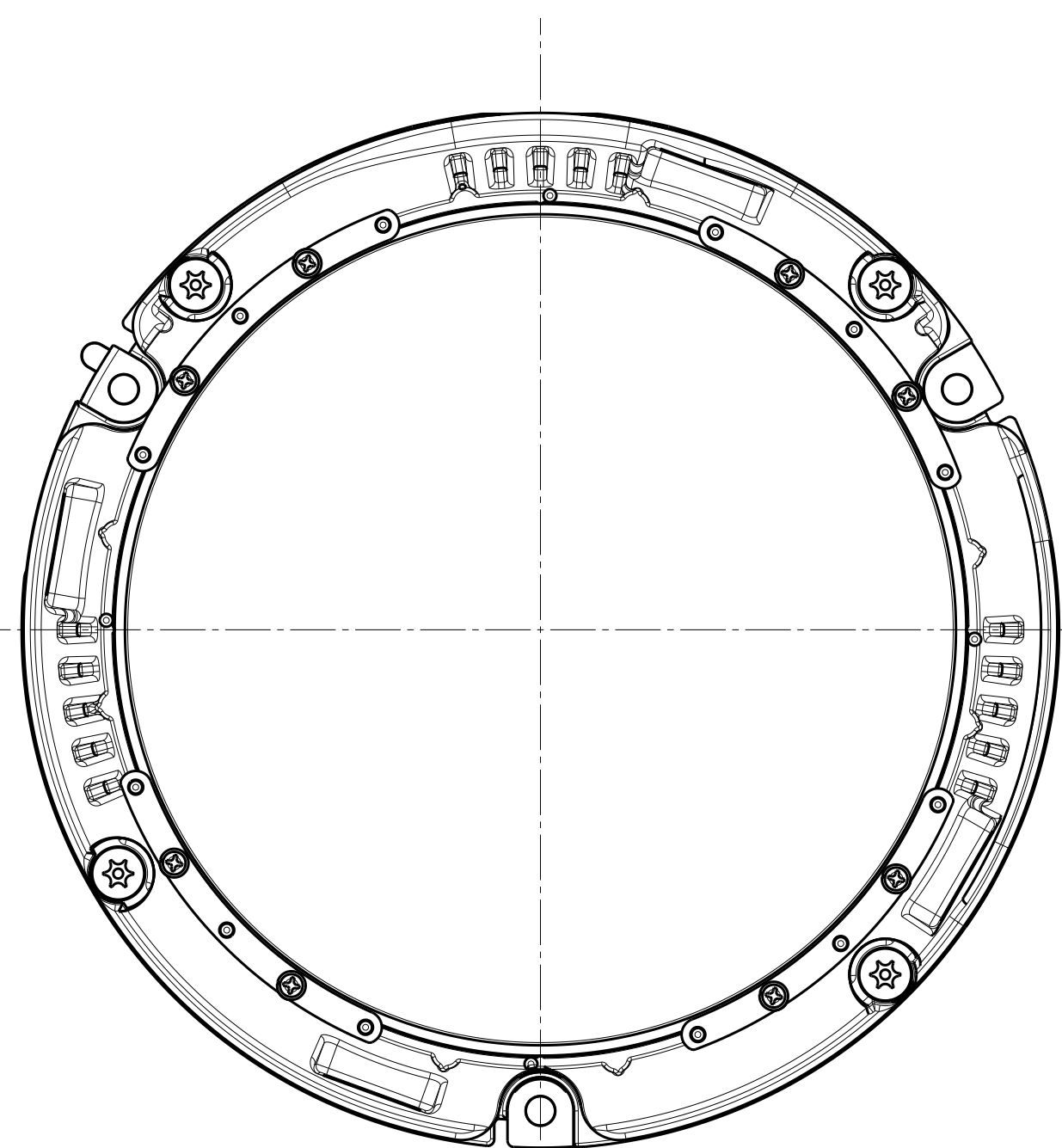


Model number	Dome type	Coating		
		Decorative cover	Lower cover	
WV-U65301-Z1	Clear dome	i-PRO white	Black	
WV-U65301-Z1G	Smoke dome			
WV-B65301-Z1	Clear dome			
WV-S65301-Z1	Smoke dome			
WV-S65301-Z1J	Clear dome	Black	Metallic black (Heavy salt damage resistance)	
WV-S65301-Z1-1		i-PRO white (Heavy salt damage resistance)		
WV-S65301-Z1-1J				Metallic black (Heavy salt damage resistance)
WV-S65301-Z1S				
WV-S65301-Z1SJ				

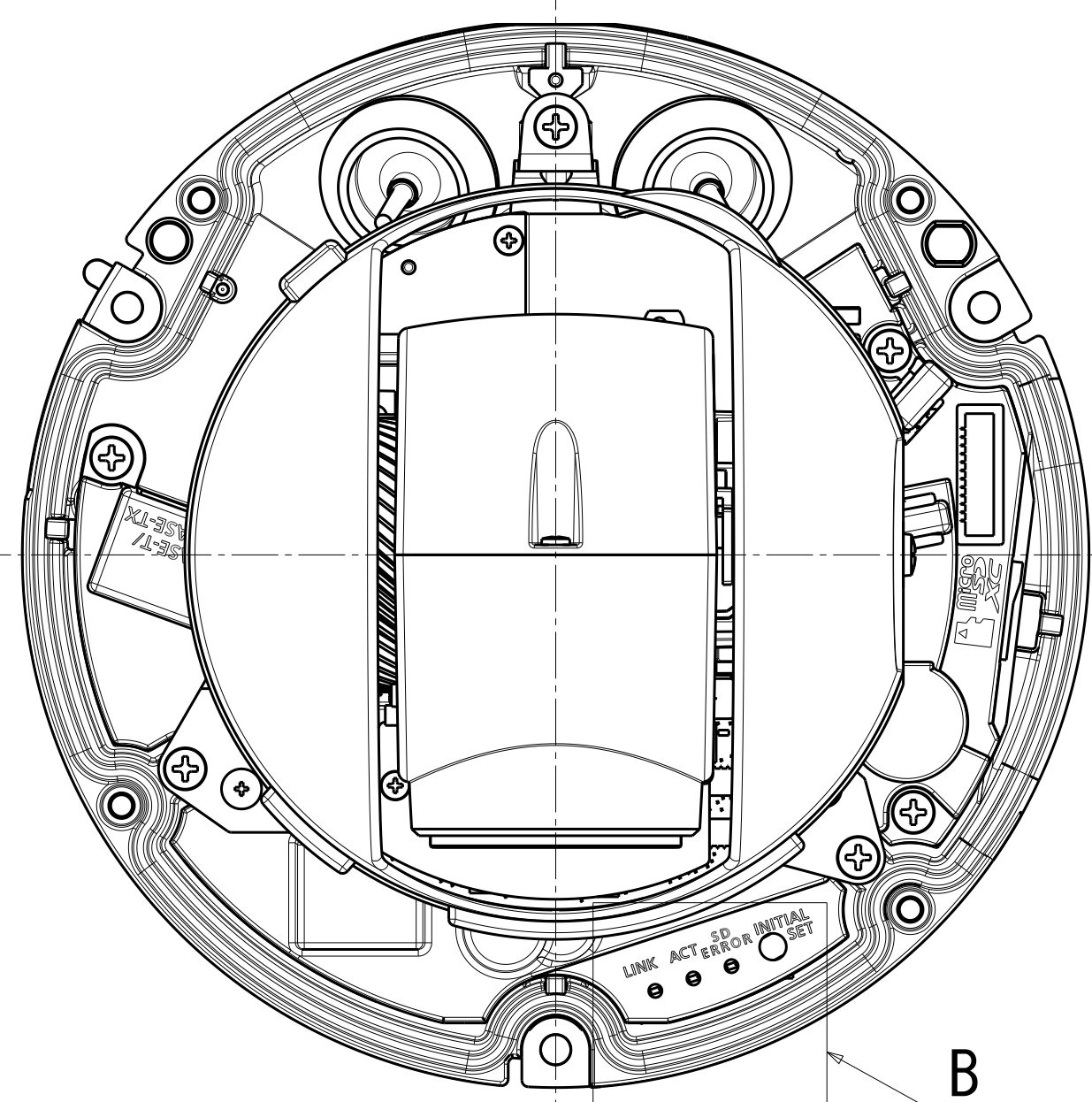
	投影面積/Projected area
側面図/Side-view	0.018 (m <sup>2</sup> )

Mass : Approx. 1.3 kg {2.87 lbs}

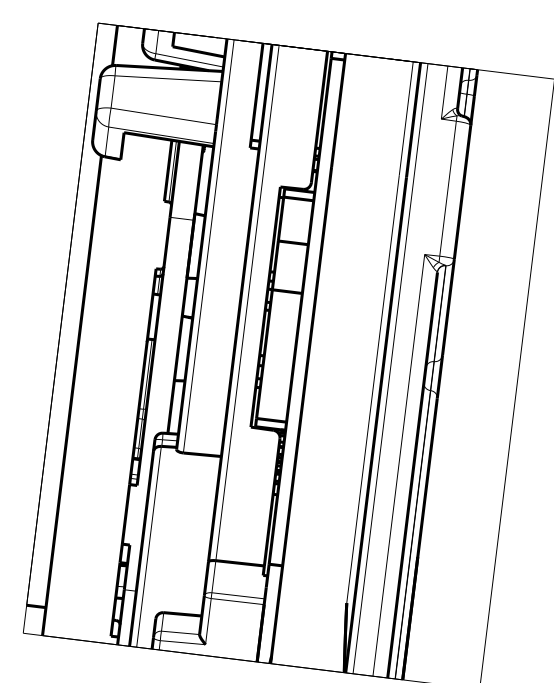




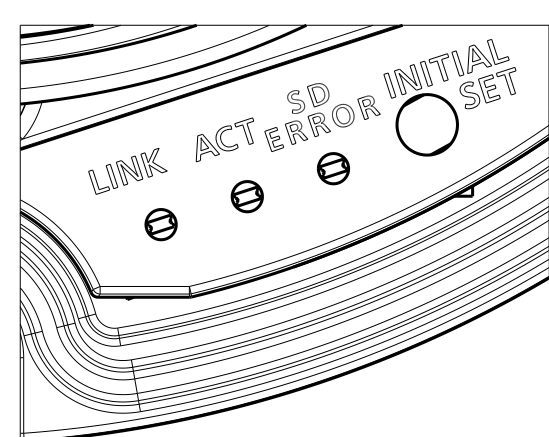
Without Decorative cover



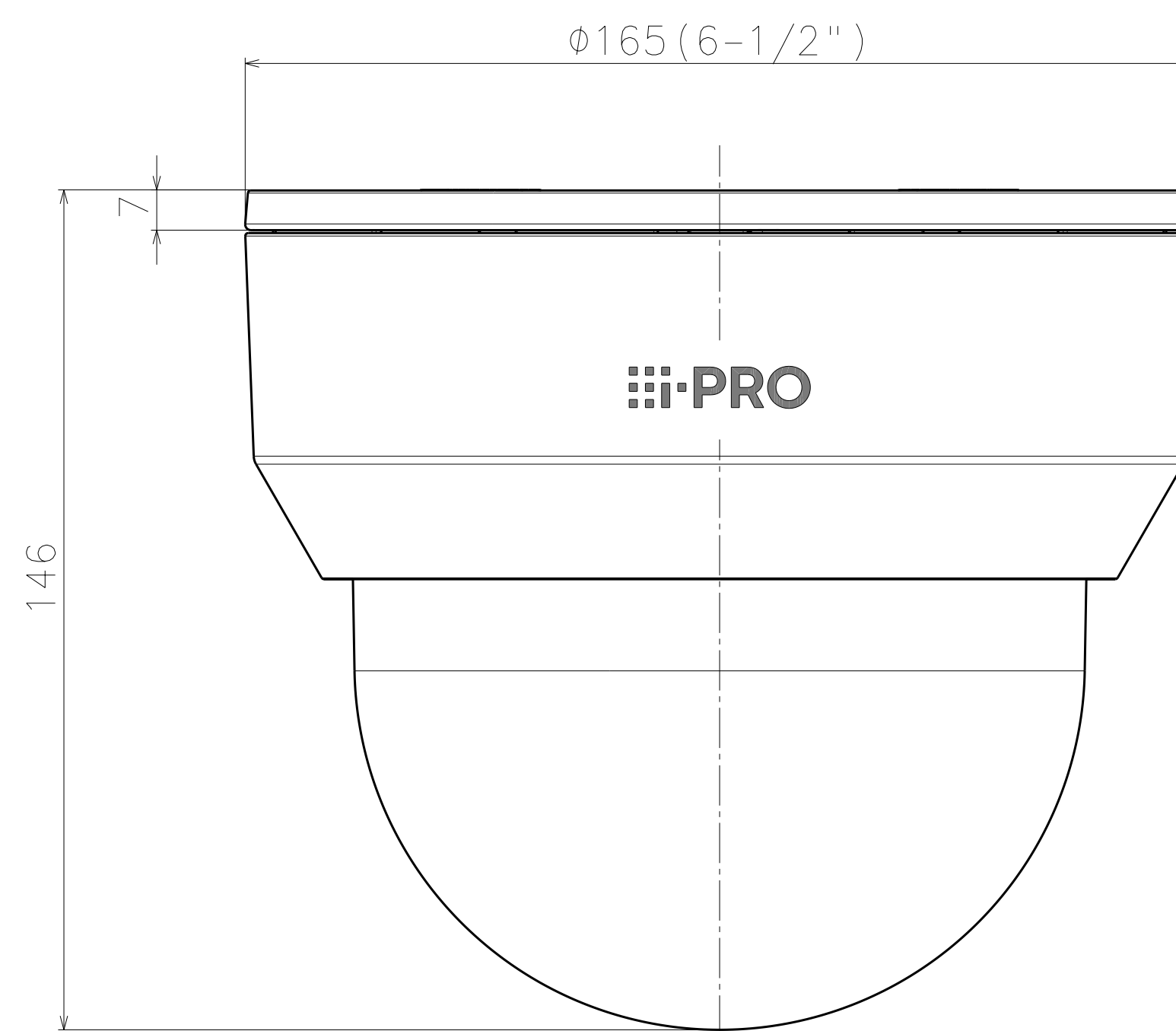
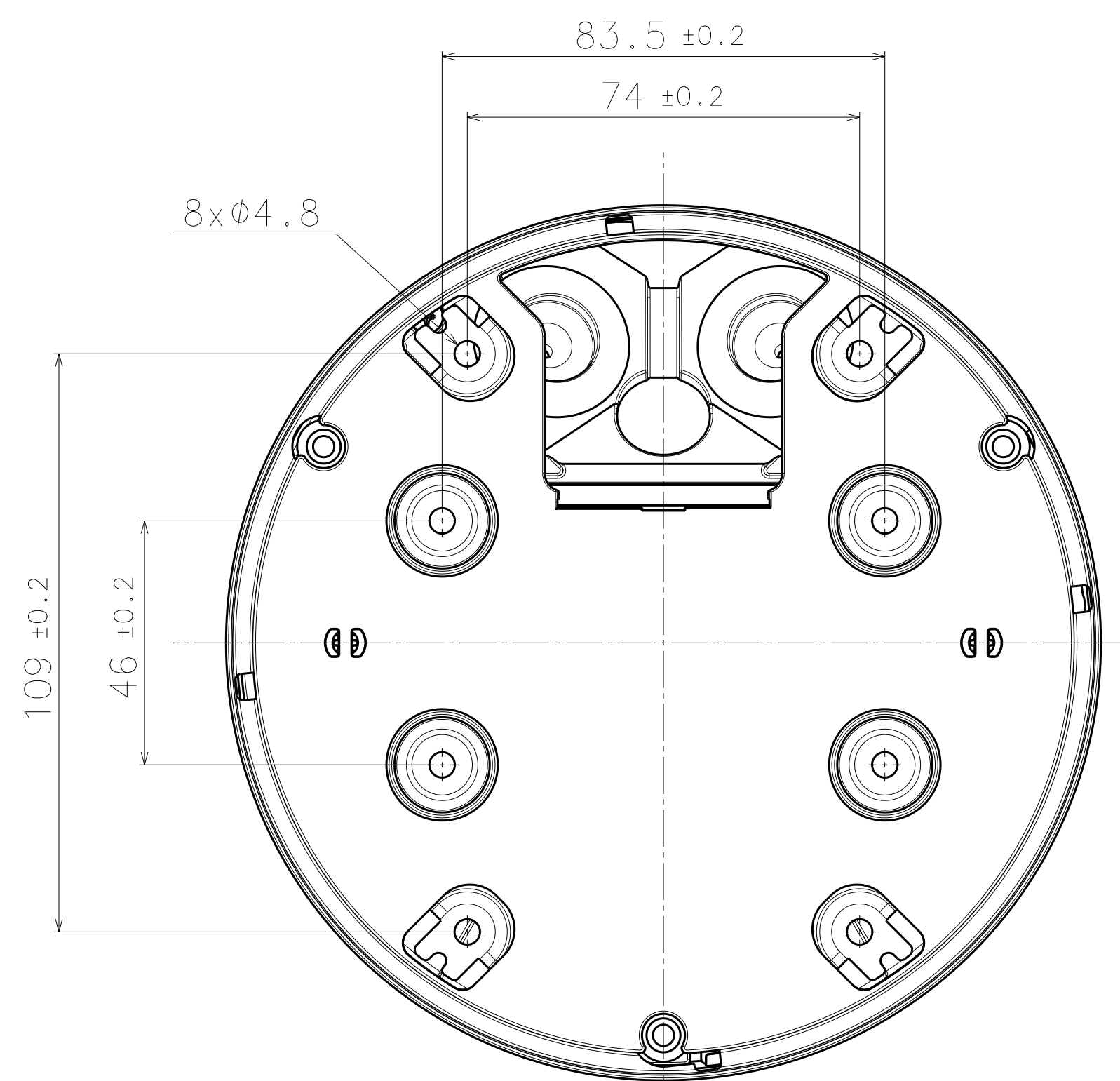
Without Enclosure



View A (2:1)



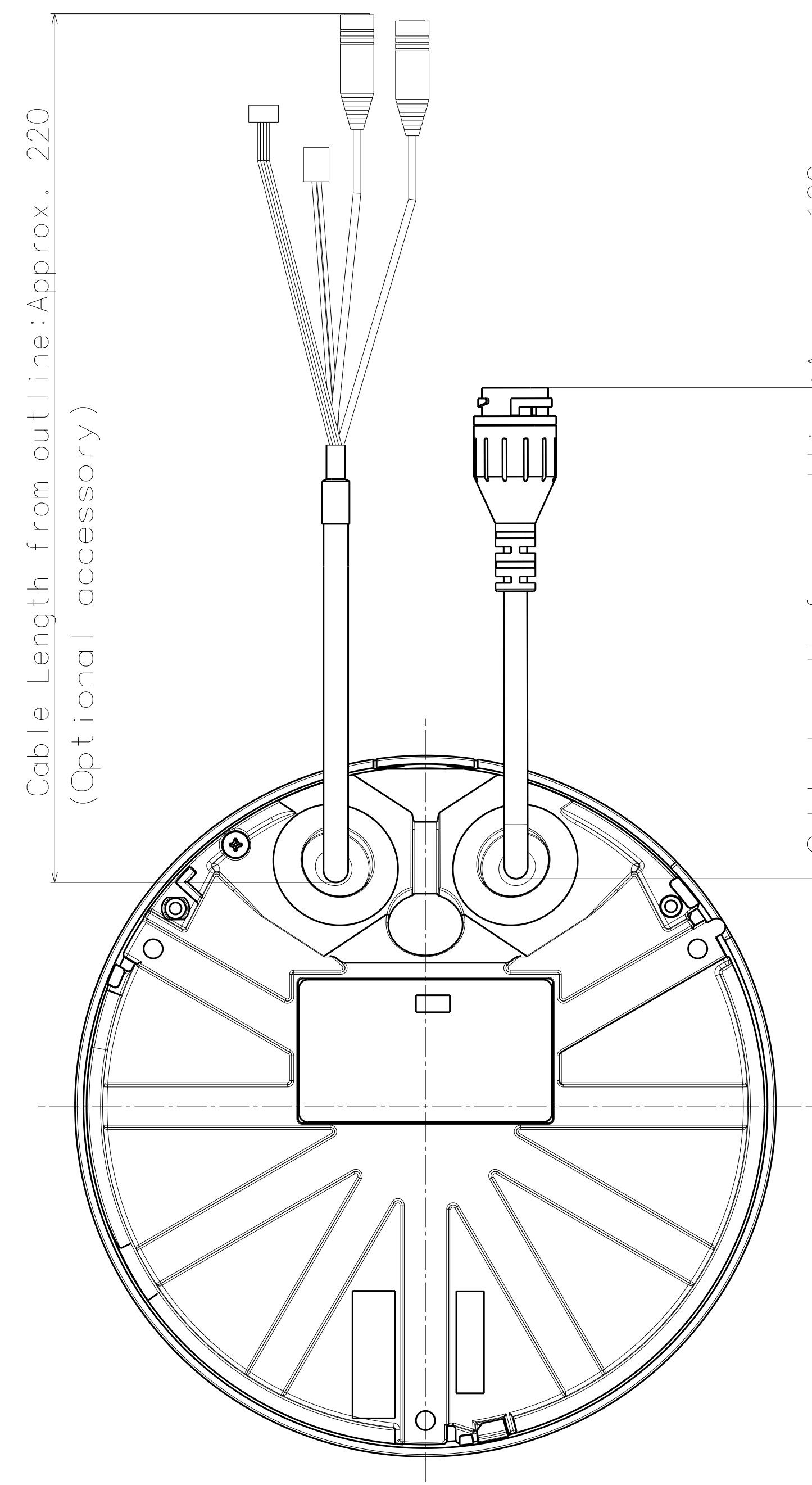
Detail B (2:1)



With Attachment plate & Attachment cover

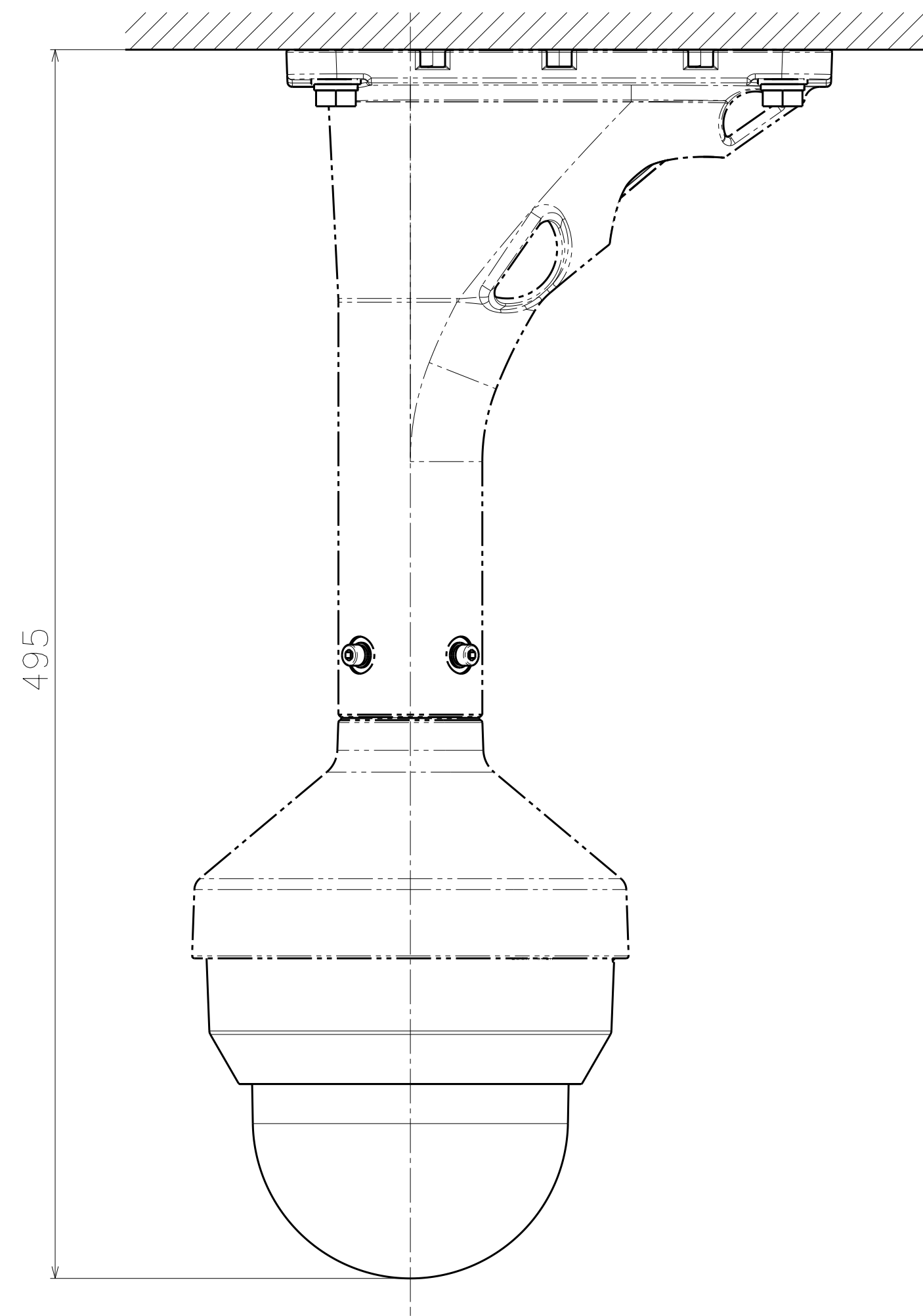
側面図/Side-view	投影面積/Projected area 0.019 (m <sup>2</sup> )
---------------	--

Model number	Upper cover coating
WV-U65301-Z1	Black
WV-U65301-Z1G	
WV-B65301-Z1	
WV-S65301-Z1	
WV-S65301-Z1G	
WV-S65301-Z1J	
WV-S65301-Z1-1	
WV-S65301-Z1-1J	Metallic black (Heavy salt damage resistance)
WV-S65301-Z1S	
WV-S65301-Z1SJ	



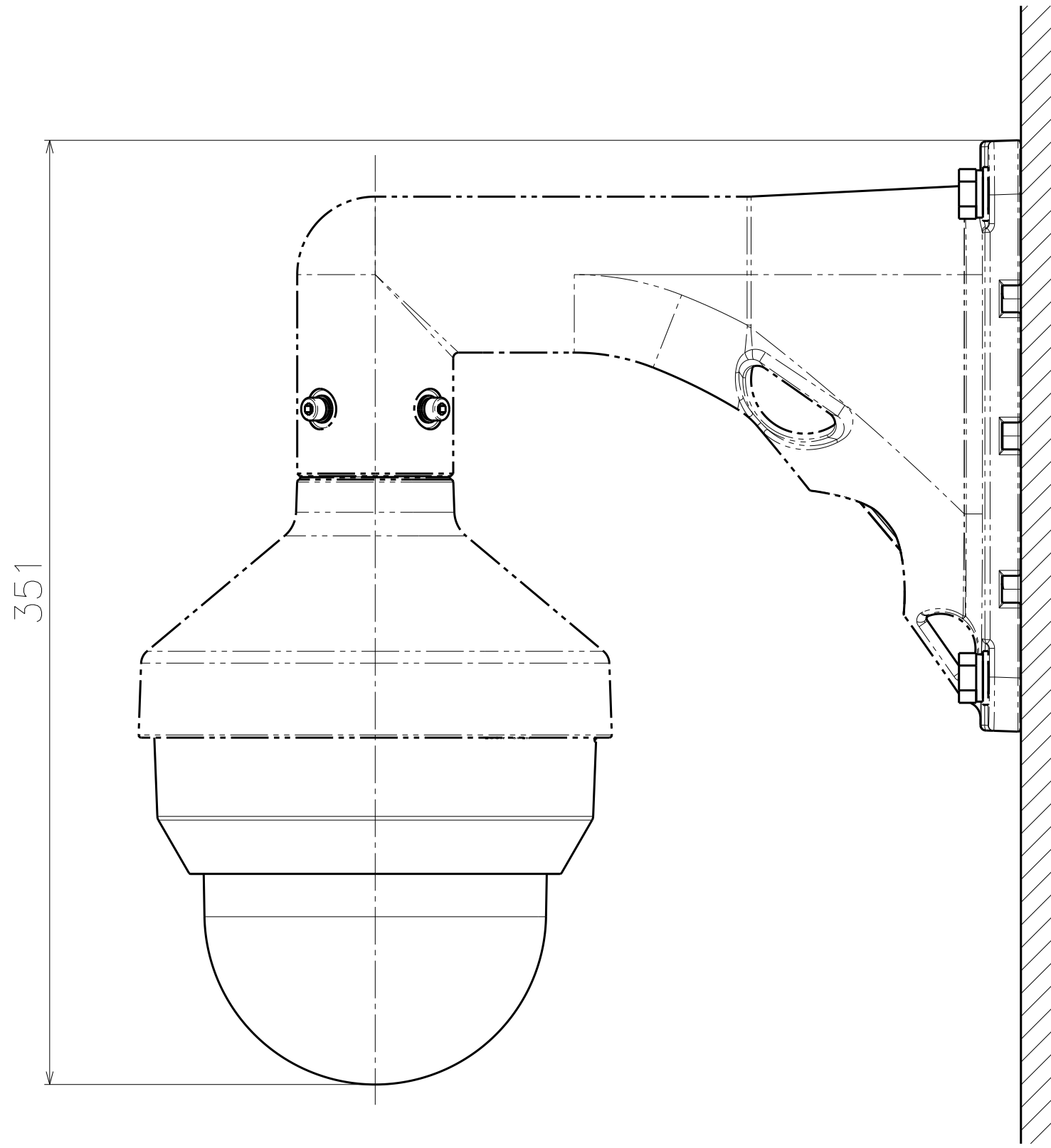
Mass : Approx. 1.6 kg {3.53 lbs}  
(When using the attachment plate and attachment cover)

金具との組み合わせ例  
Example of combination with bracket



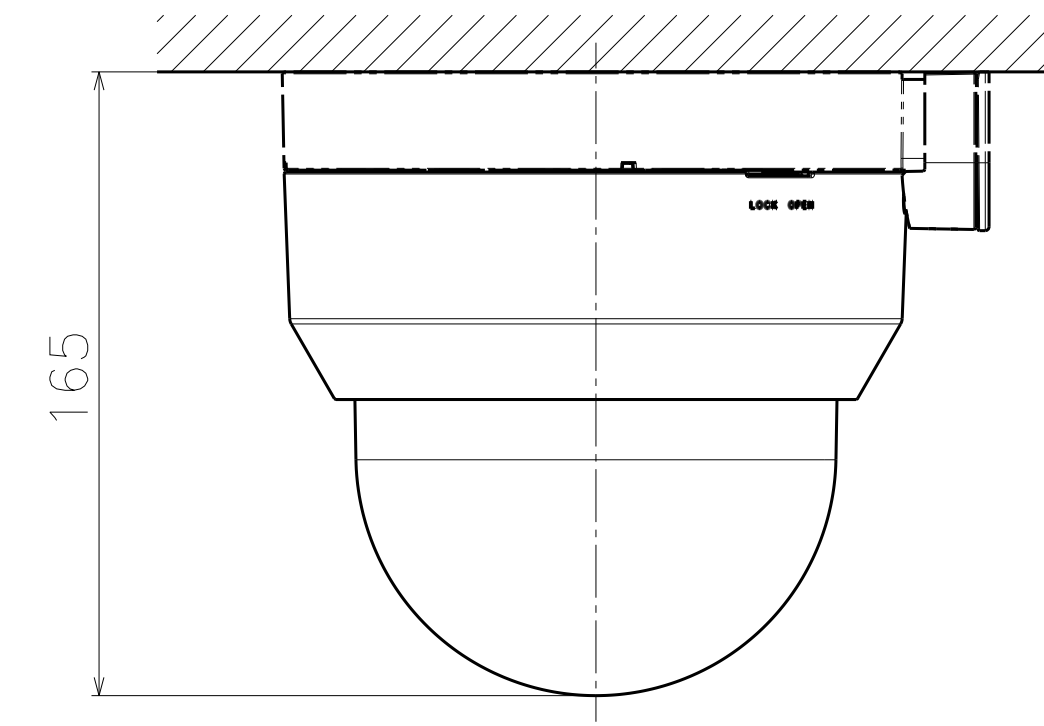
Attach to WV-QCL501\*\* & WV-QSR501\*\*

	投影面積/Projected area
側面図/Side-view	0.053 (m <sup>2</sup> )
平面図/TOP-view	0.035 (m <sup>2</sup> )



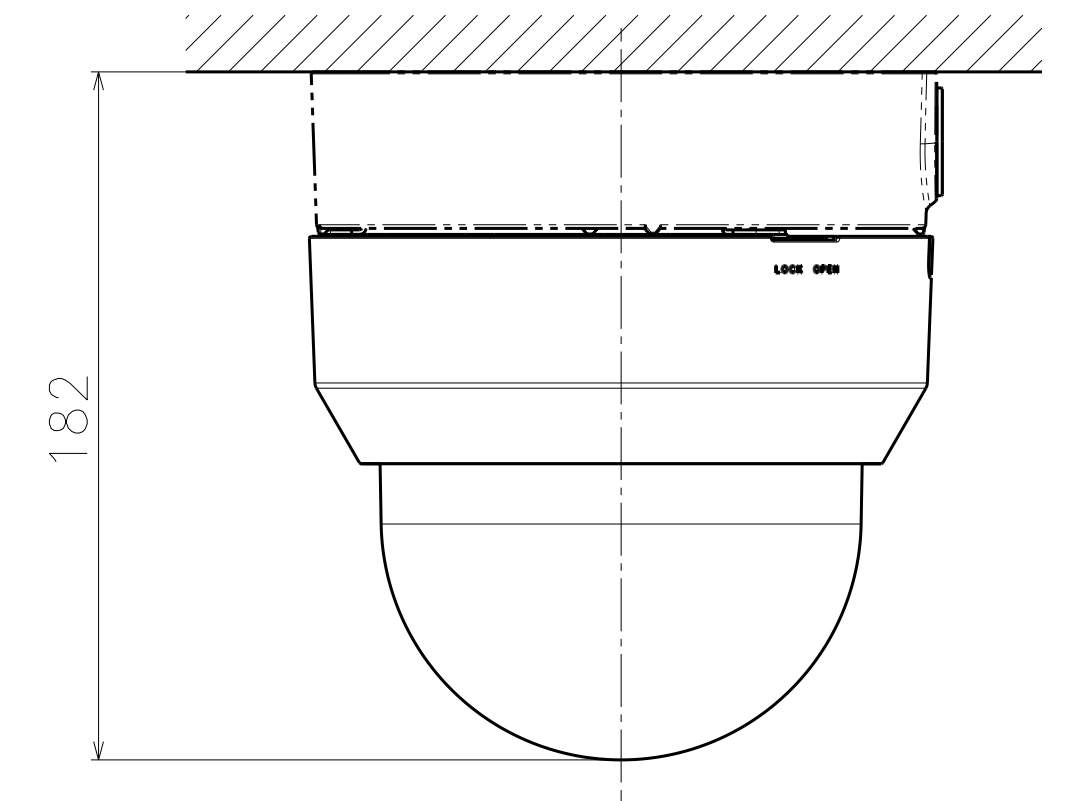
Attach to WV-QWL501\*\* & WV-QSR501\*\*

	投影面積/Projected area
側面図/Side-view	0.056 (m <sup>2</sup> )
平面図/TOP-view	0.034 (m <sup>2</sup> )



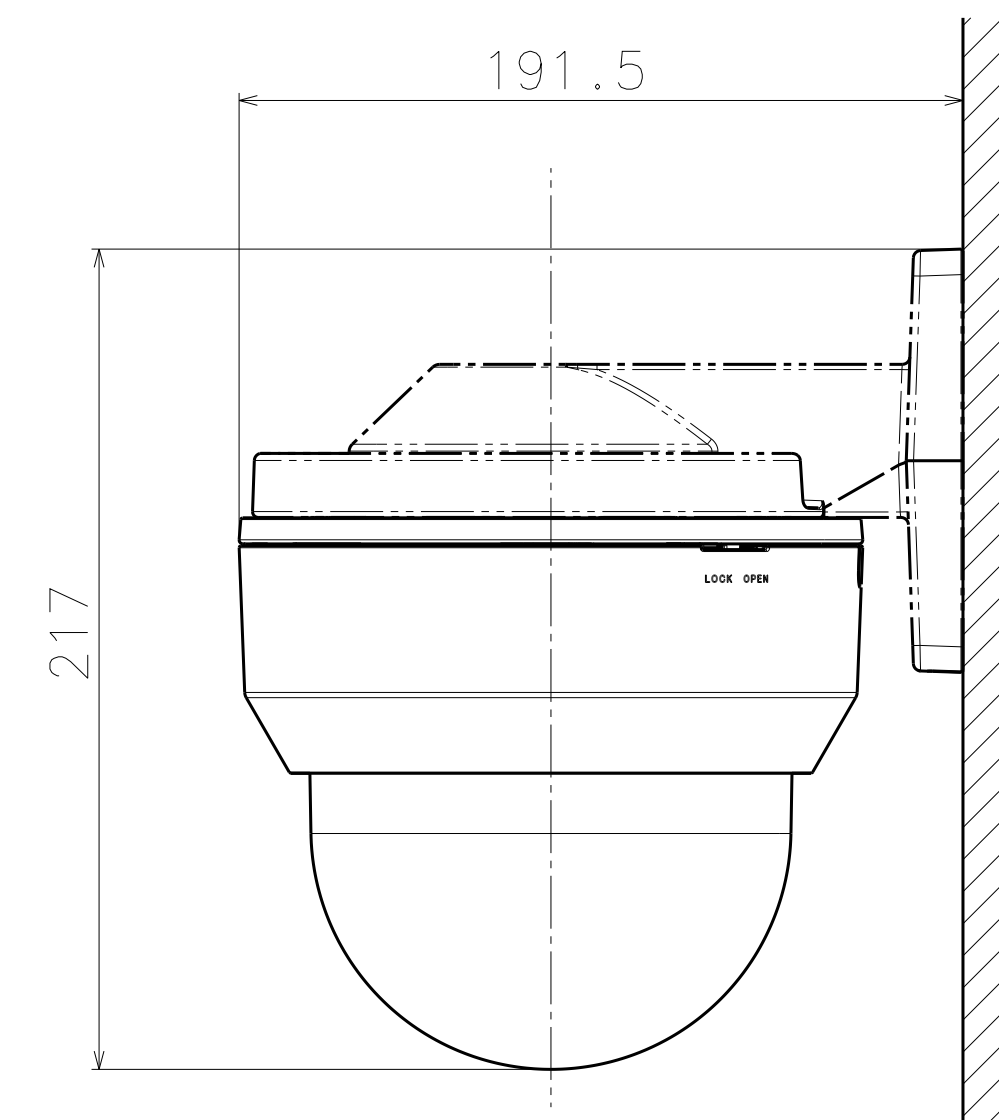
Attach to WV-QJB504\*\*

	投影面積/Projected area
側面図/Side-view	0.023 (m <sup>2</sup> )



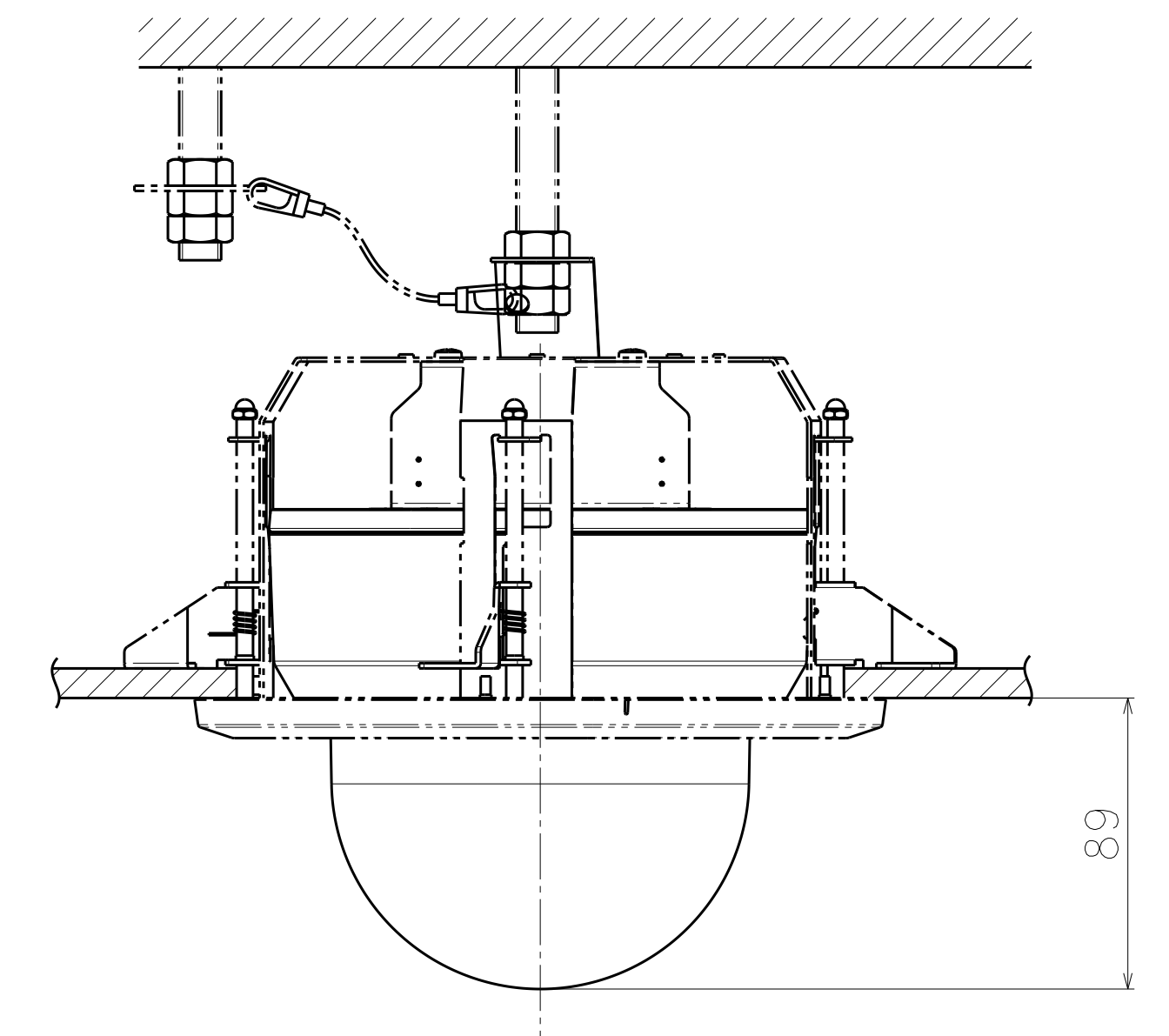
Attach to WV-QJB501\*\*

	投影面積/Projected area
側面図/Side-view	0.025 (m <sup>2</sup> )

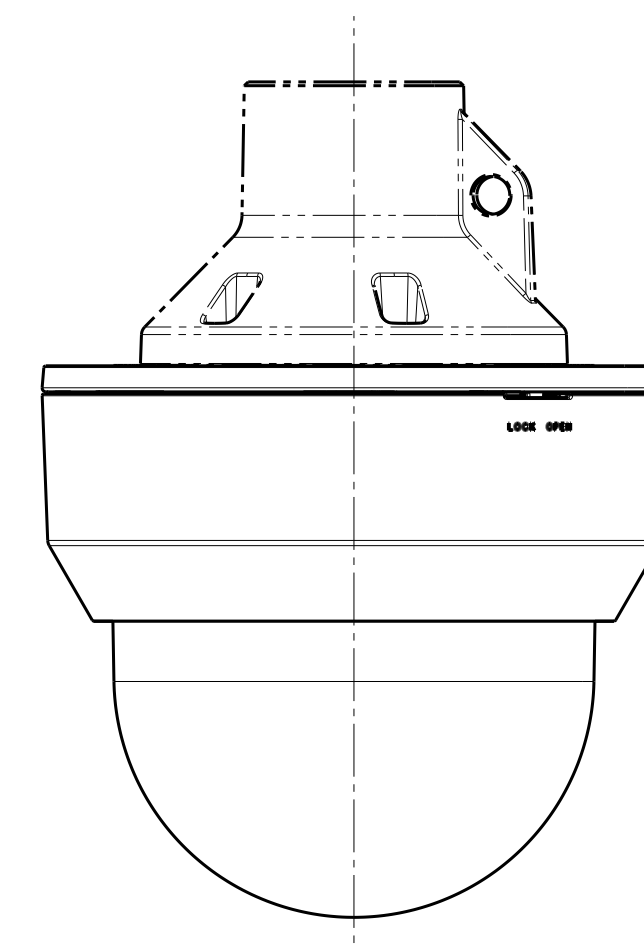


Attach to WV-QWL500\*\*

	投影面積/Projected area
側面図/Side-view	0.027 (m <sup>2</sup> )



Attach to WV-QEM503\*\*

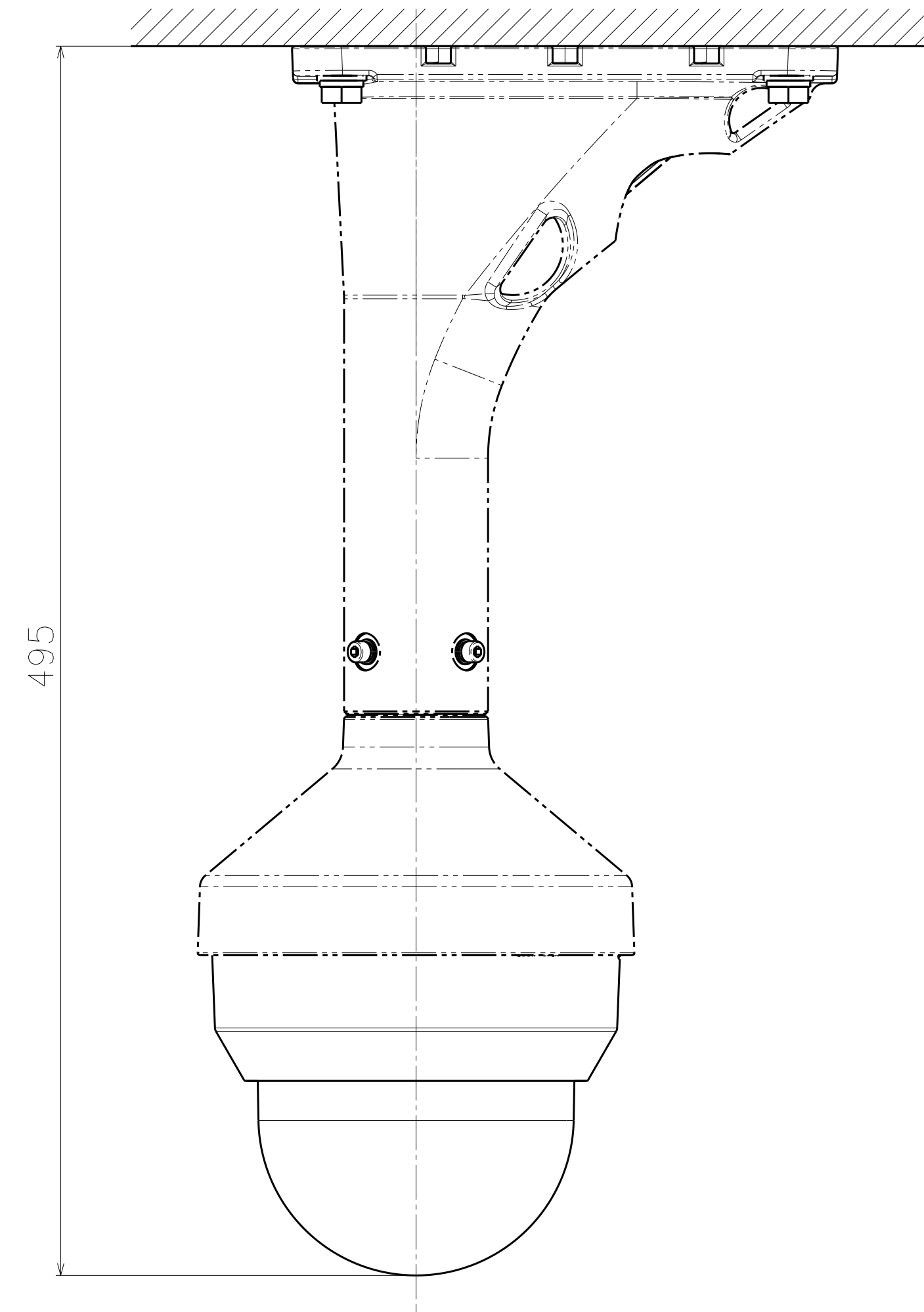


Attach to WV-QCL100\*\*

Model number
WV-U65301-Z1
WV-U65301-Z1G
WV-B65301-Z1
WV-S65301-Z1
WV-S65301-Z1G
WV-S65301-Z1J
WV-S65301-Z1-1
WV-S65301-Z1-1J

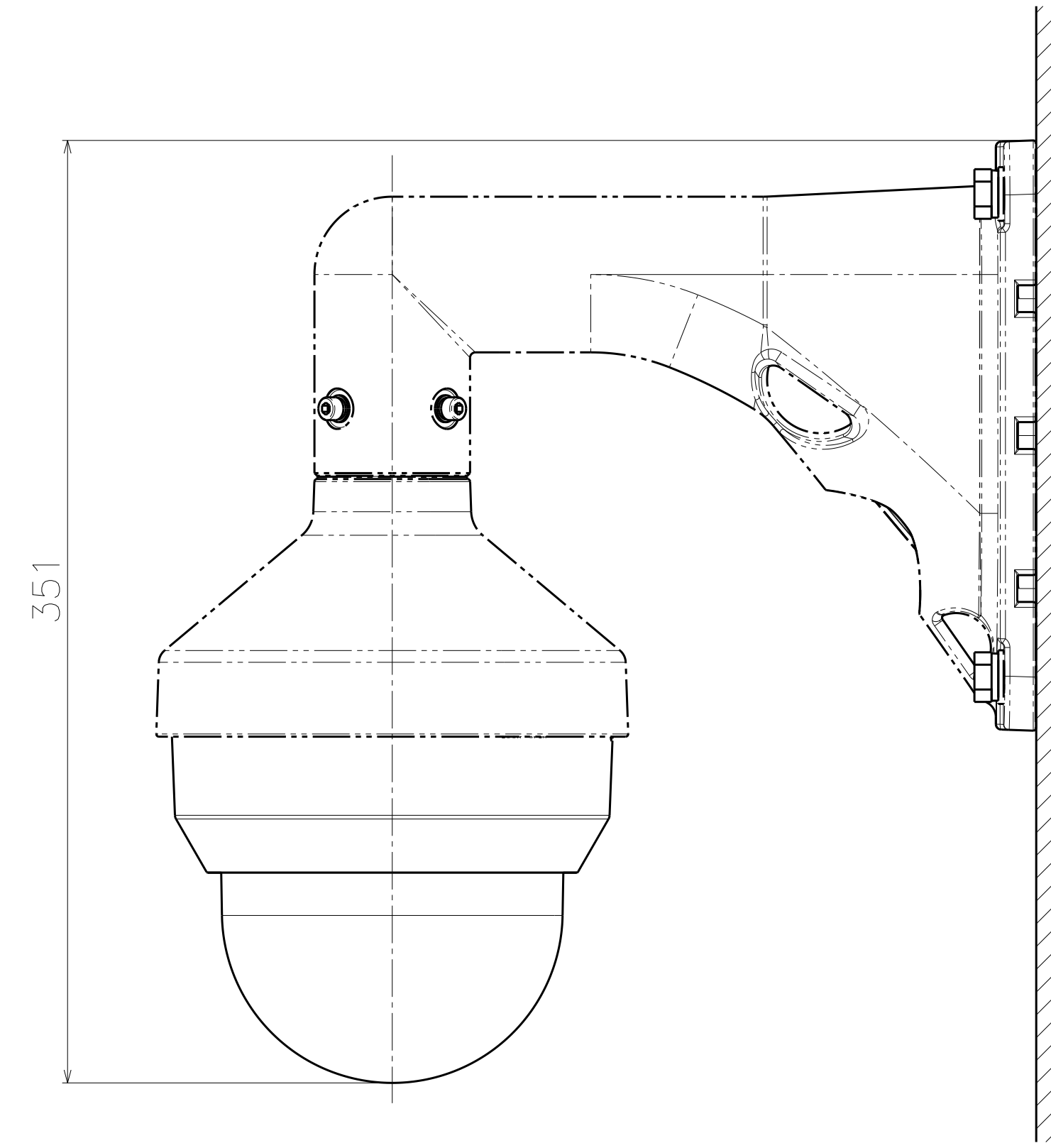
金具との組み合わせ例  
Example of combination with bracket

耐重塩害モデル  
Heavy salt damage version



Attach to WV-QCL501S-W & WV-QSR501S-W

	投影面積/Projected area
側面図/Side-view	0.053 (m <sup>2</sup> )
平面図/TOP-view	0.035 (m <sup>2</sup> )



Attach to WV-QWL501S-W & WV-QSR501S-W

	投影面積/Projected area
側面図/Side-view	0.056 (m <sup>2</sup> )
平面図/TOP-view	0.034 (m <sup>2</sup> )

Model number
WV-S65301-Z1S
WV-S65301-Z1SJ