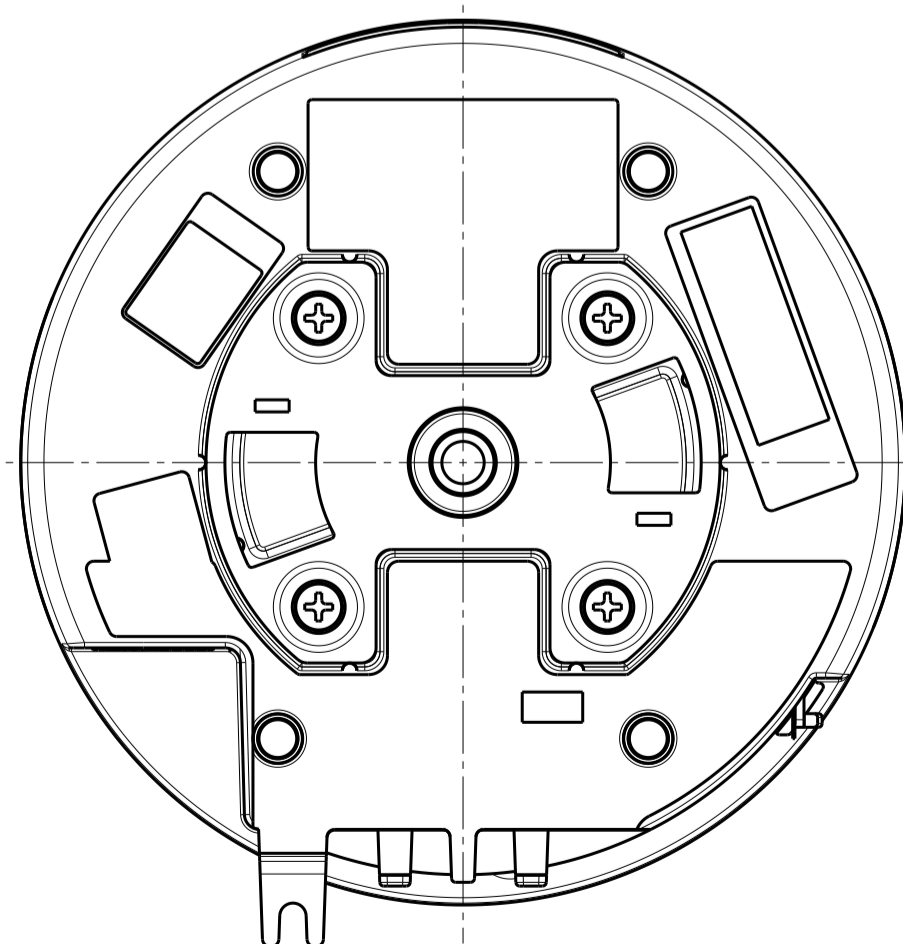
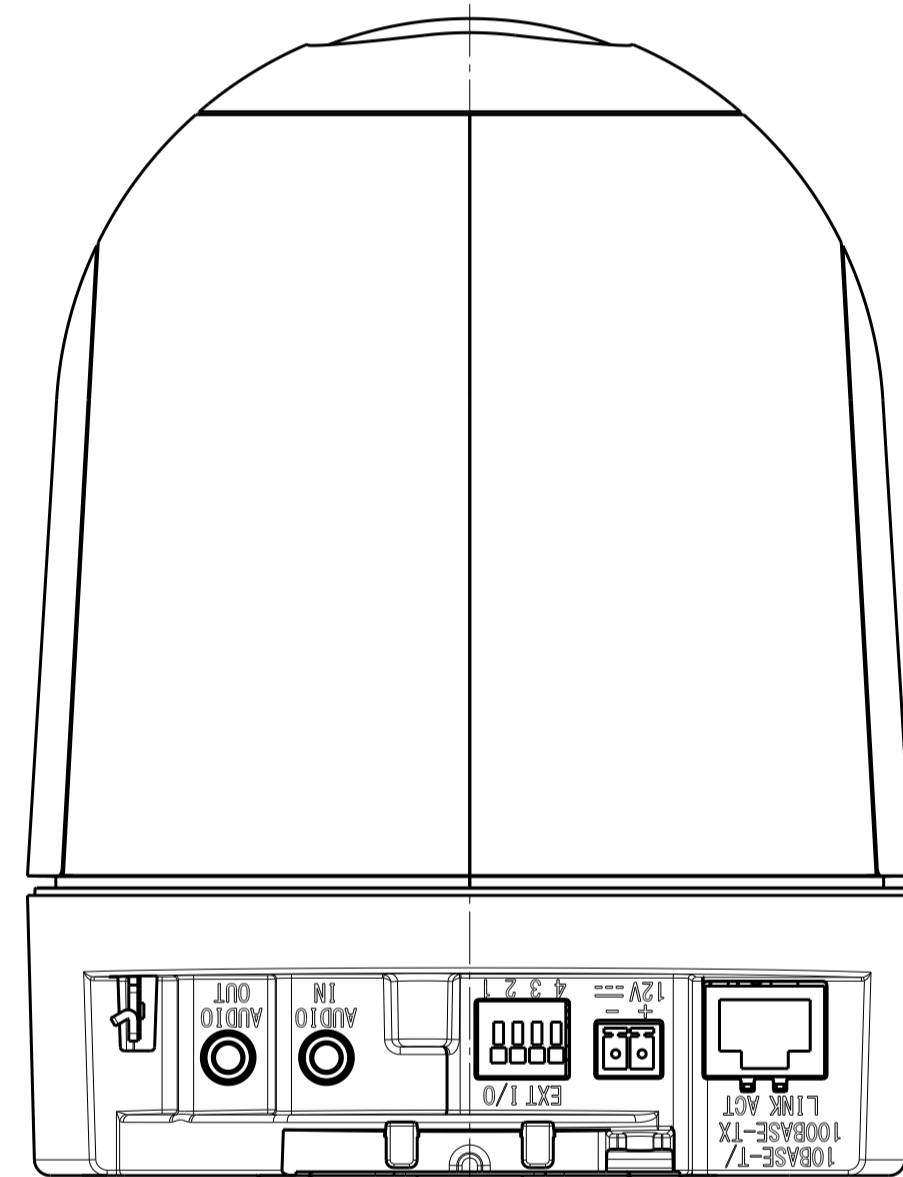
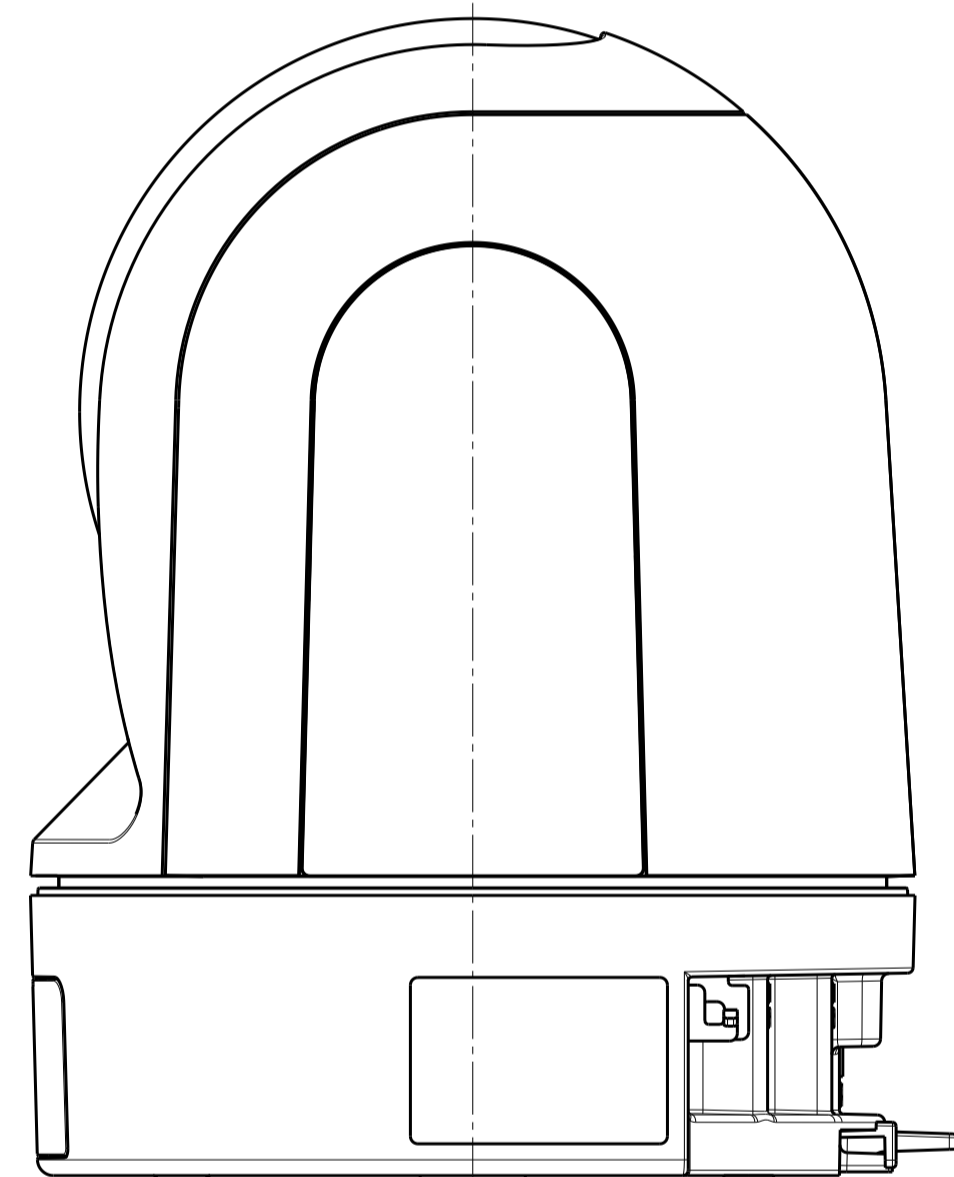
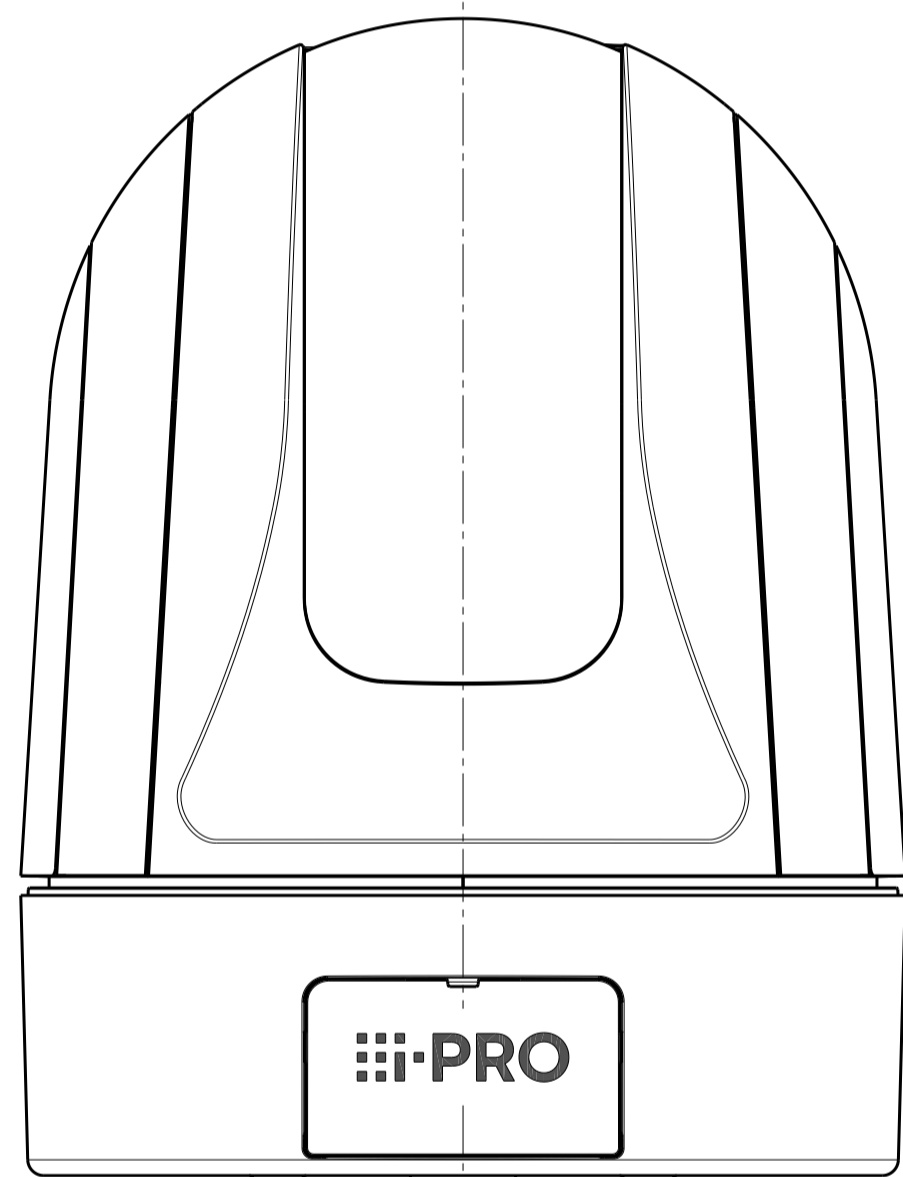
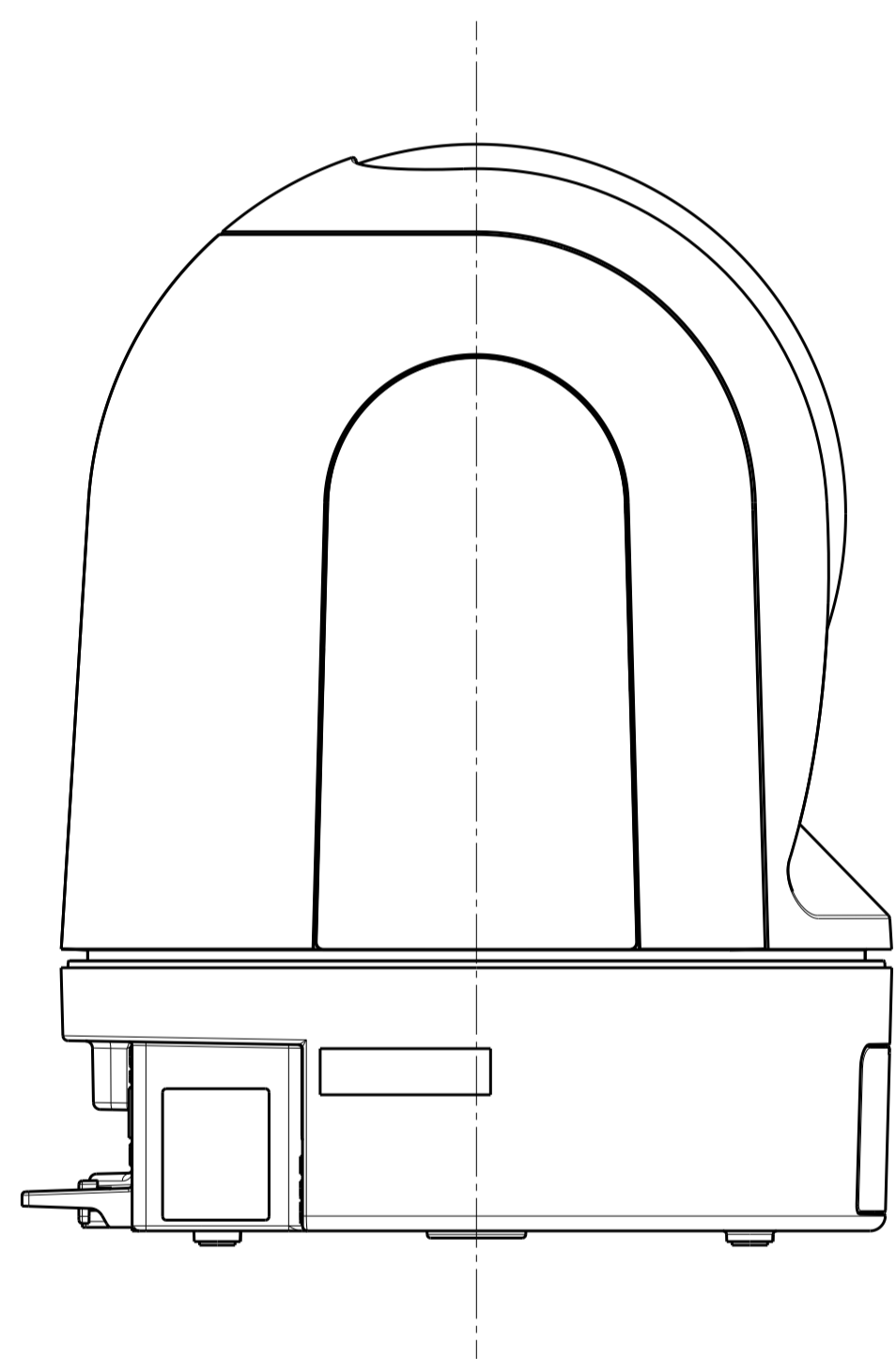
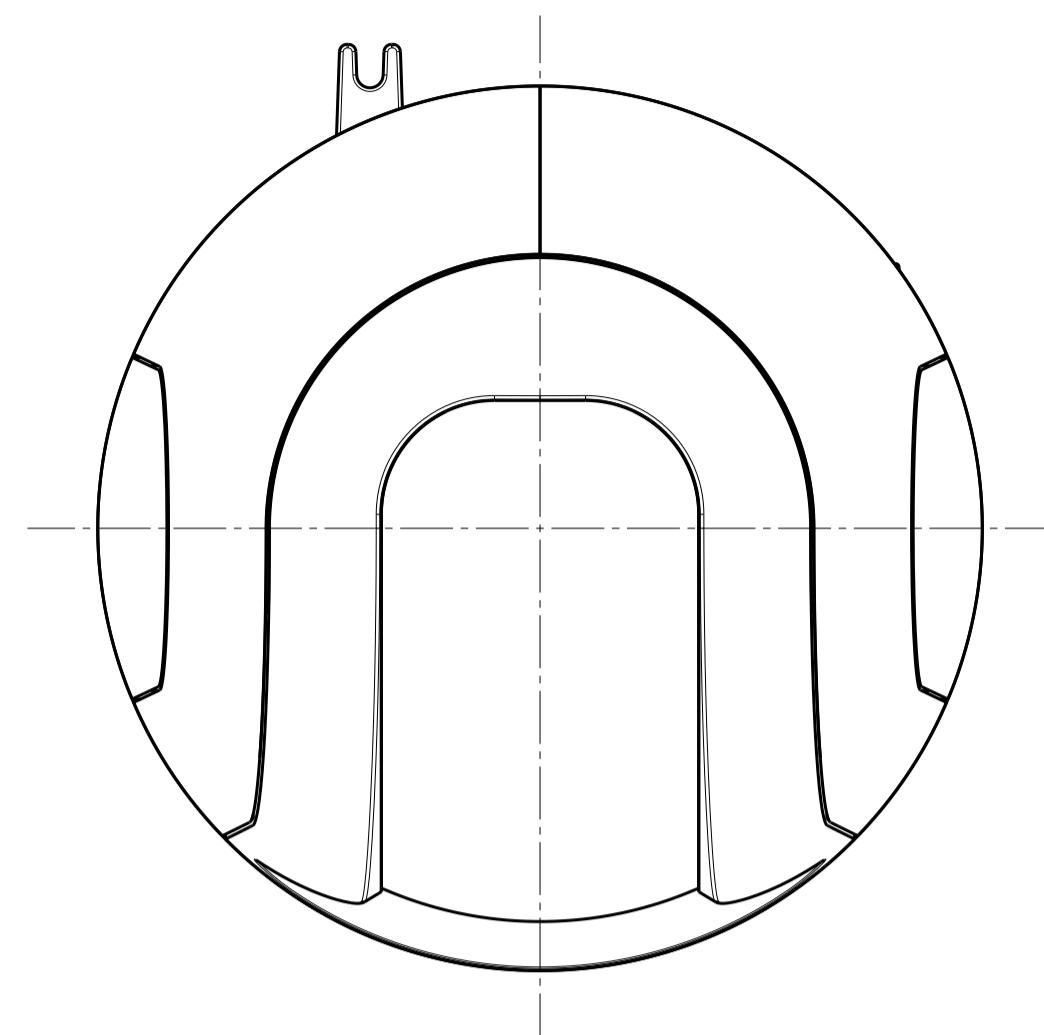


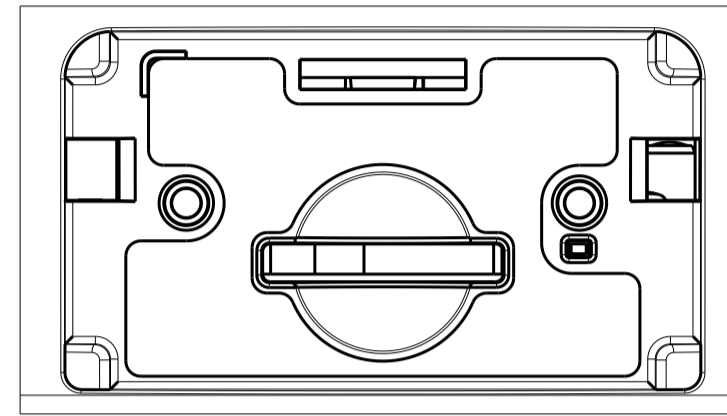
Model number	Lens type
WV-S61301-Z2 (WV-S61301-Z2US)	x21
WV-S61301-Z2J (WV-S61301-Z2JJS)	
WV-U61301-Z2 (WV-U61301-Z2US)	x10
WV-U61301-Z1 (WV-U61301-Z1US)	

Mass : Approx. 1.0 kg {2.41 lbs}

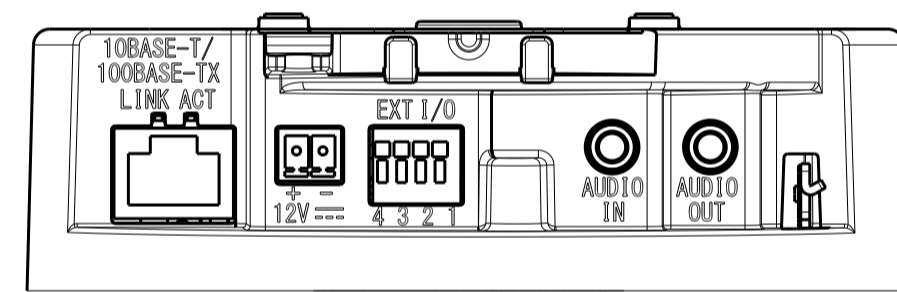


Model number	Lens type
WV-B61301-Z2 (WV-B61301-Z2US)	x21
WV-B61301-Z1 (WV-B61301-Z1US)	x10

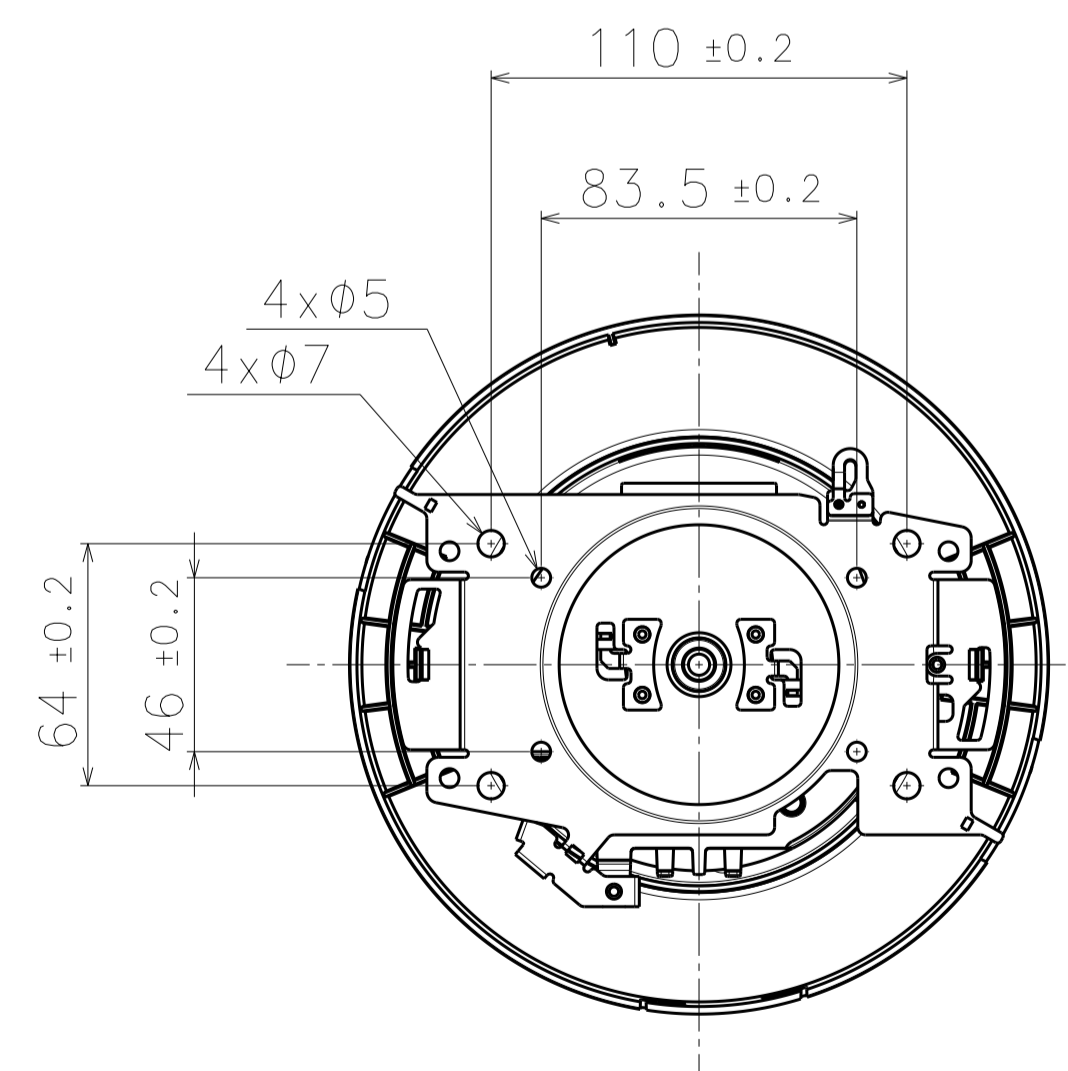
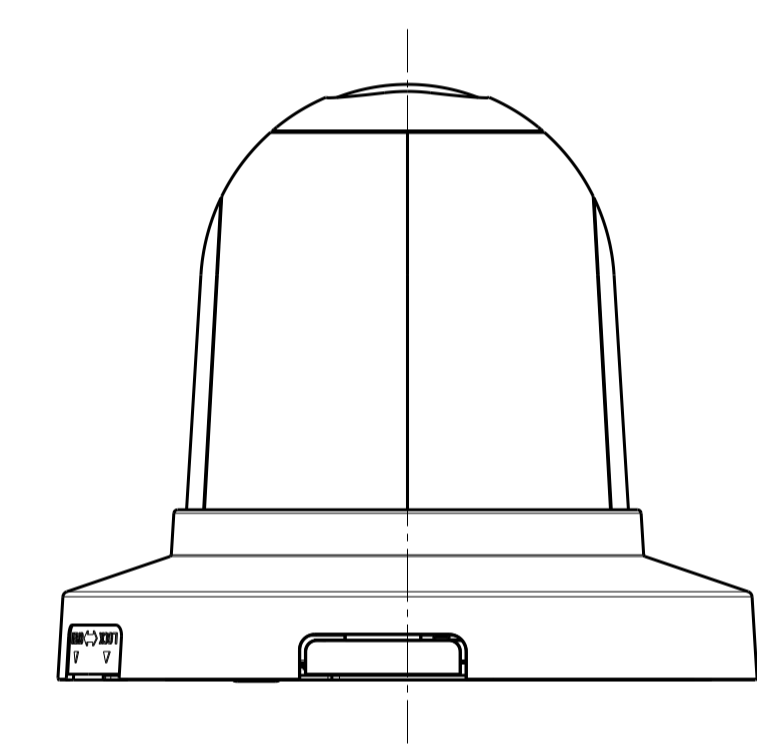
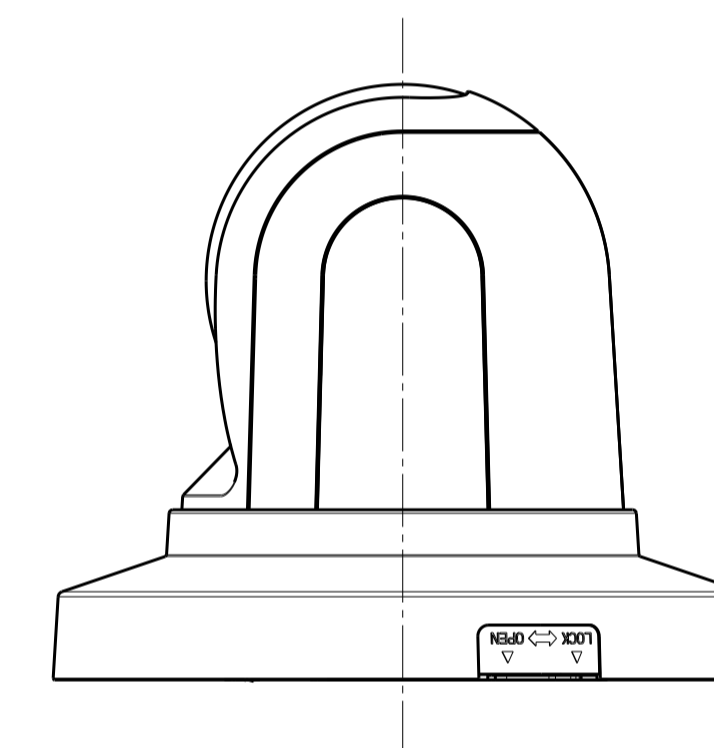
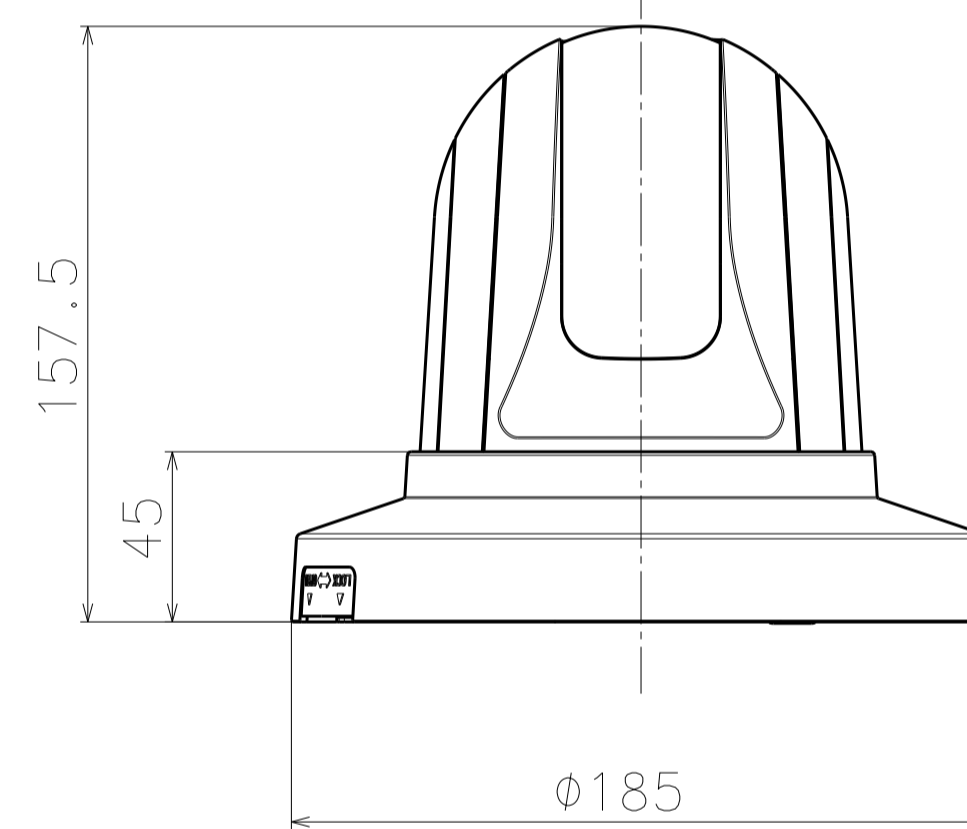
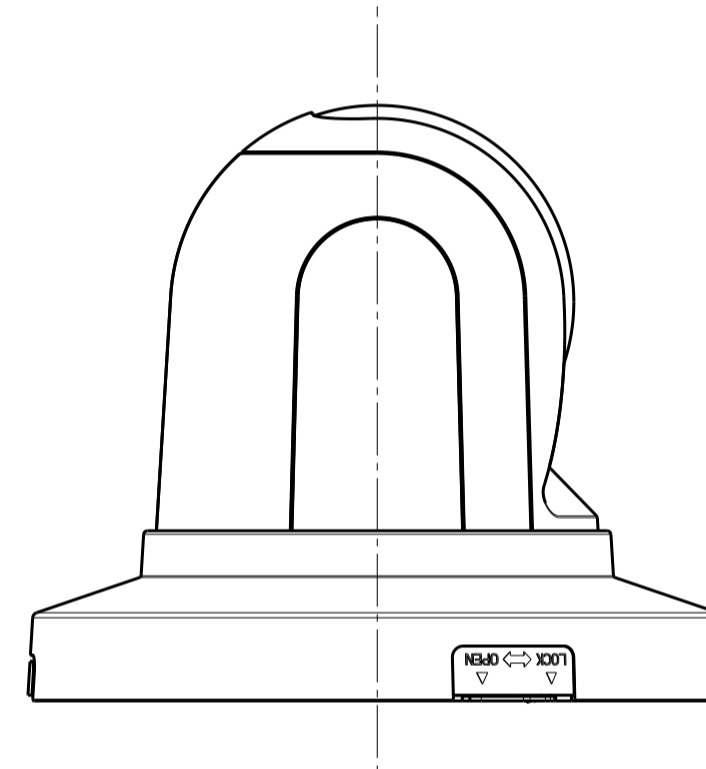
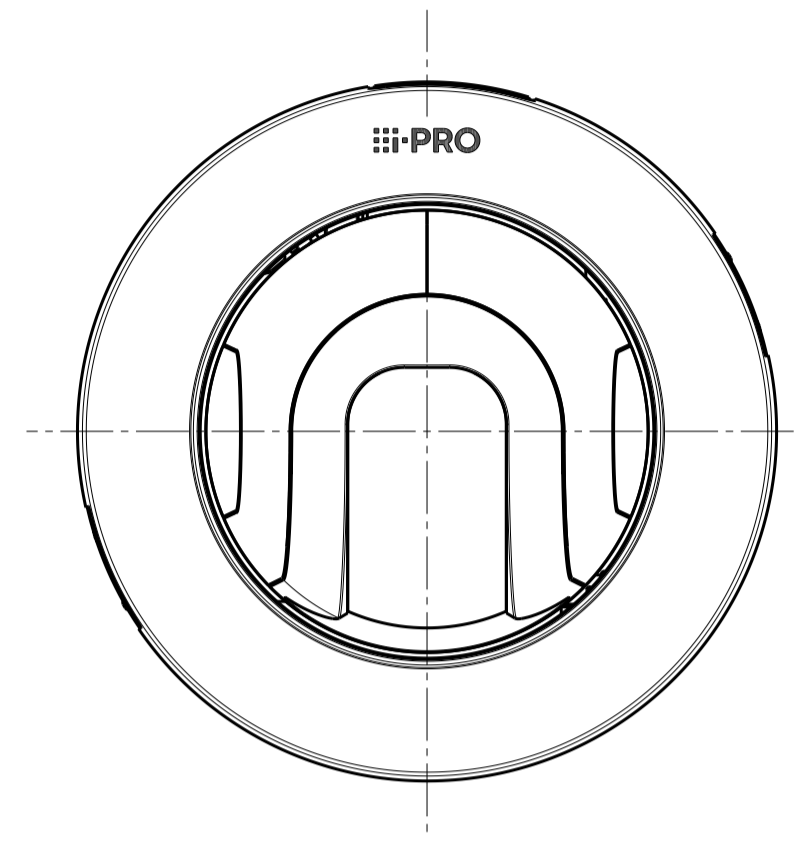
Mass : Approx. 1.0 kg {2.41 lbs}



Inside of SD memory card cover
S=2:1



Rear details
S=1:1

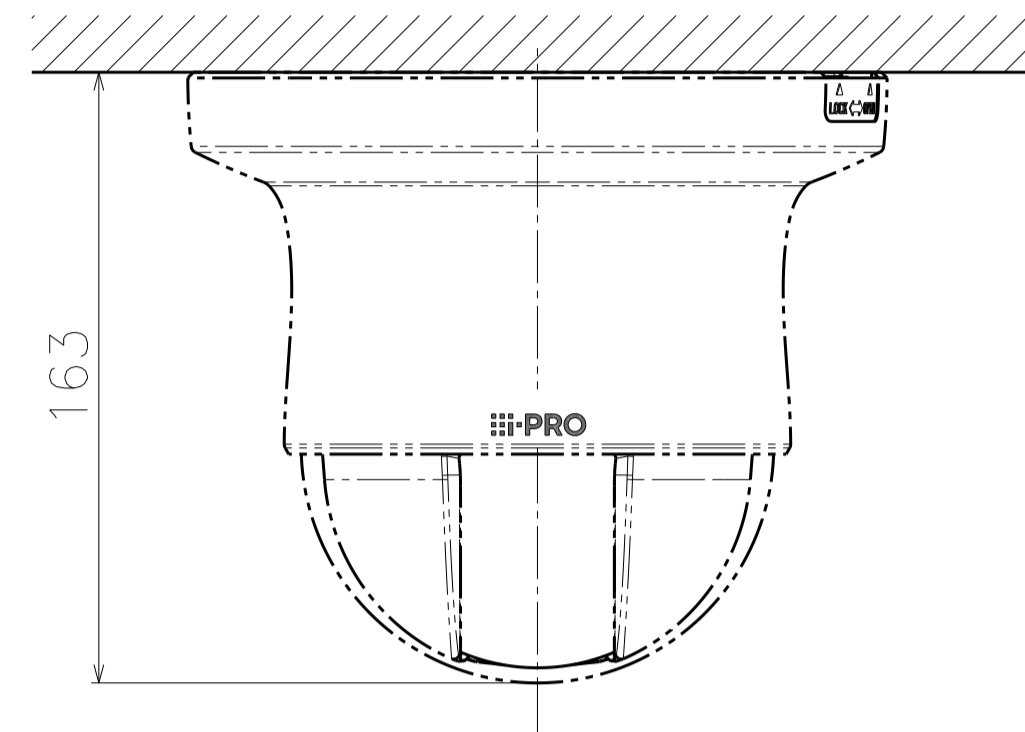


With Decorative cover & Camera mount bracket

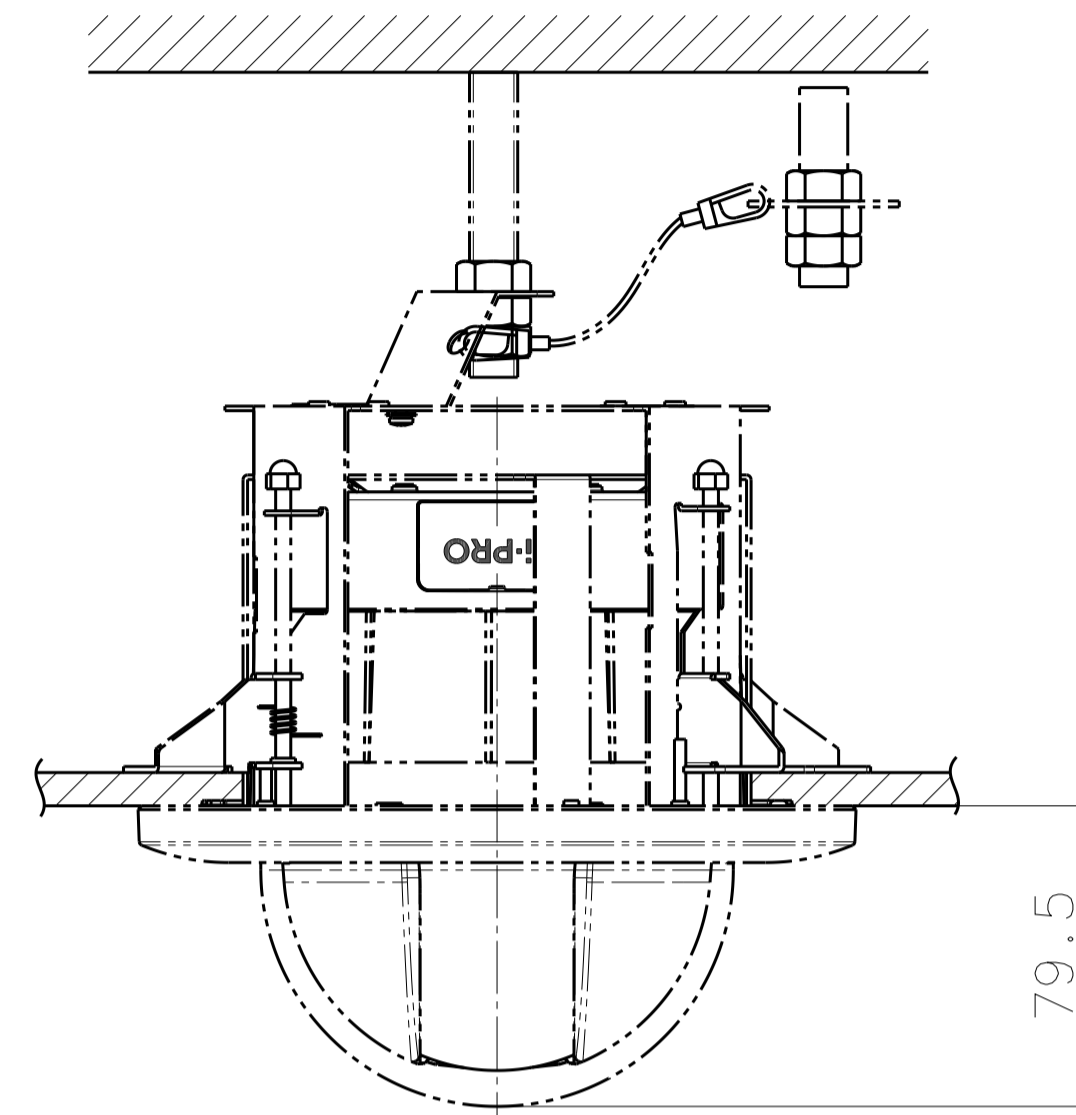
Model number	
WV-S61301-Z2	(WV-S61301-Z2US)
WV-S61301-Z2J	(WV-S61301-Z2JJS)
WV-U61301-Z2	(WV-U61301-Z2US)
WV-U61301-Z1	(WV-U61301-Z1US)
WV-B61301-Z2	(WV-B61301-Z2US)
WV-B61301-Z1	(WV-B61301-Z1US)

Mass : Approx. 1.2 kg {2.65 lbs}
(Including Decorative cover and Camera mount bracket)

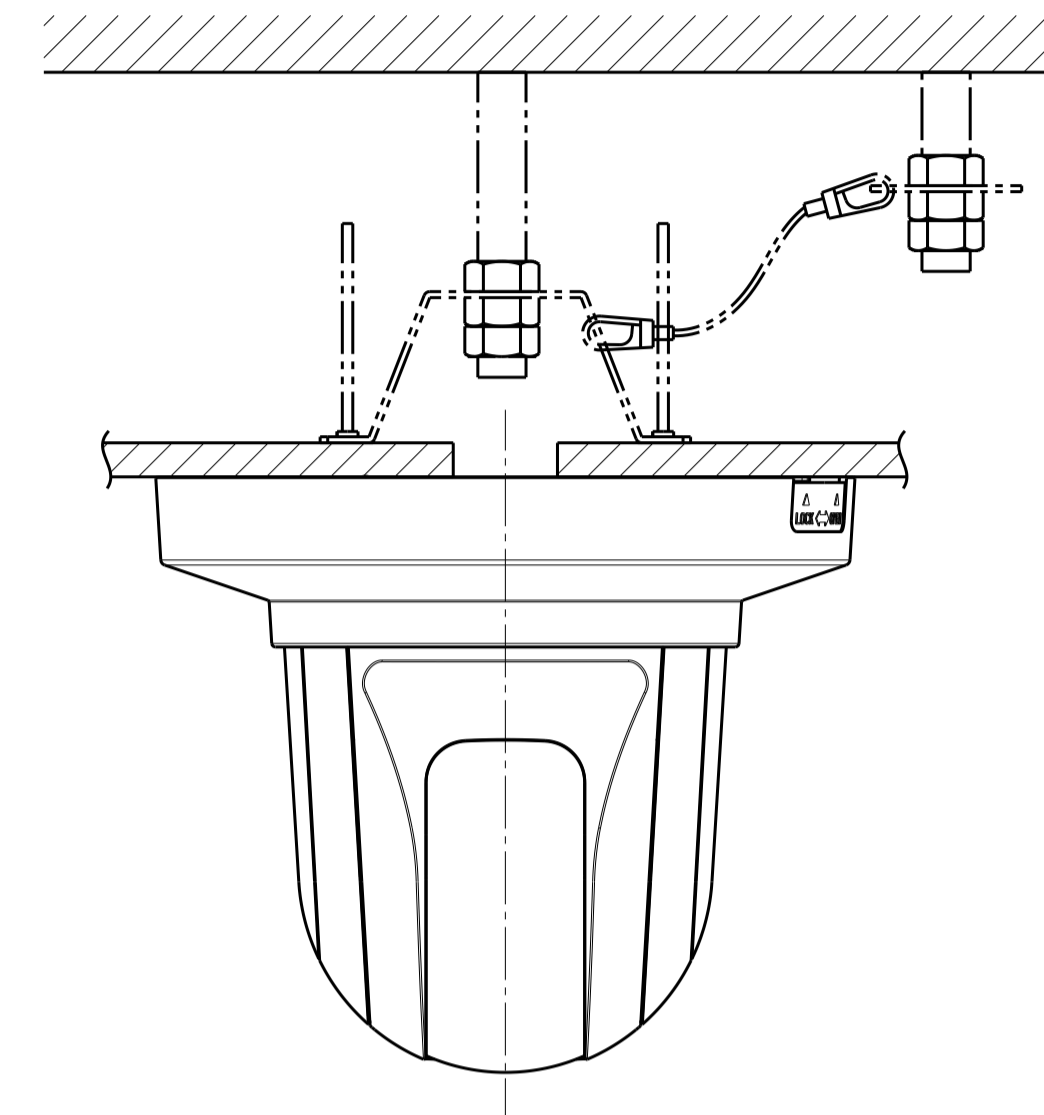
金具との組み合わせ例
Example of combination with bracket



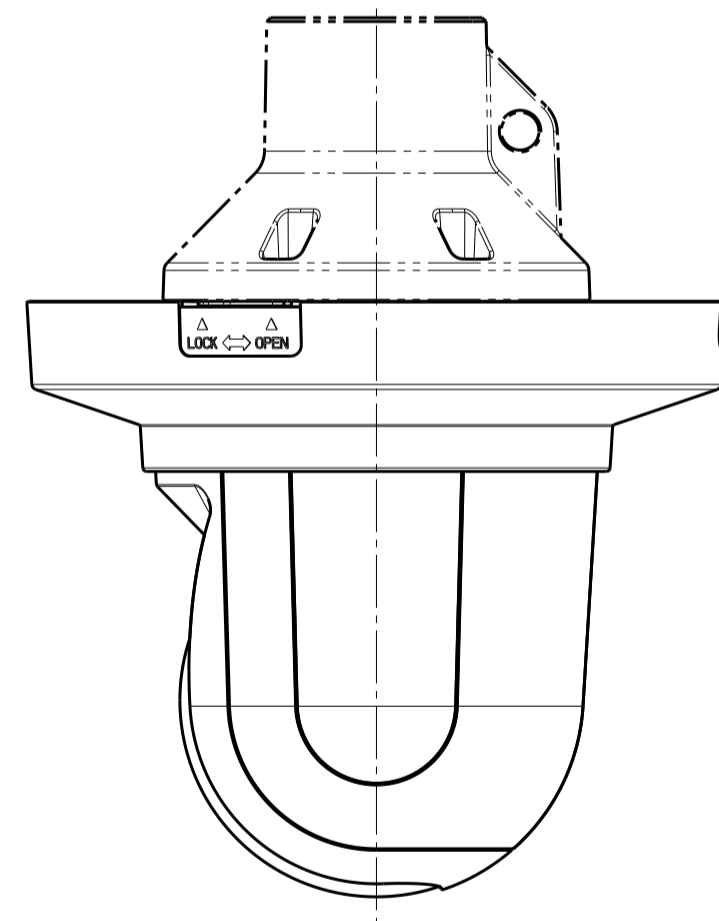
Attach to WV-QCD100C-W



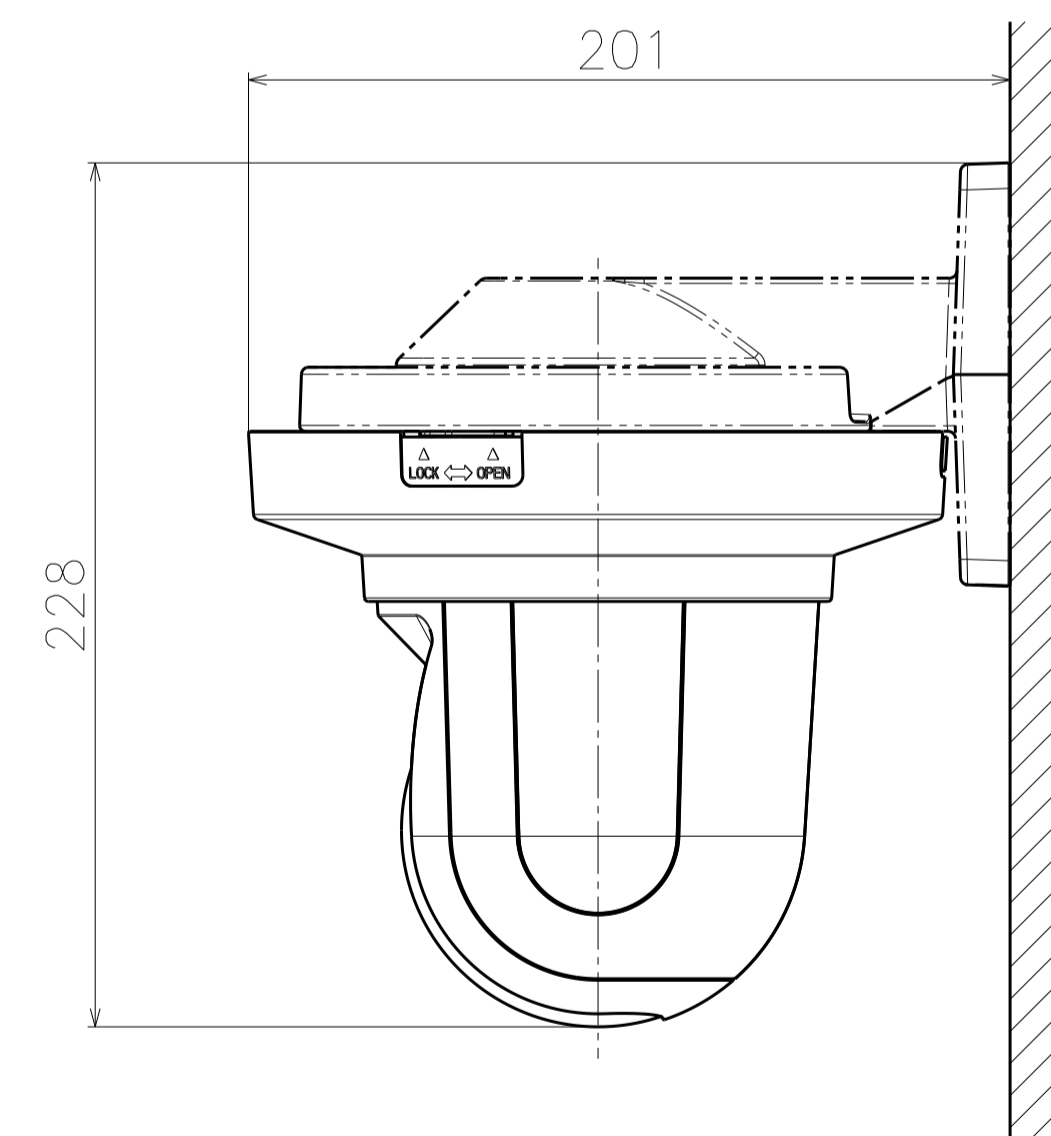
Attach to WV-QED100C-W



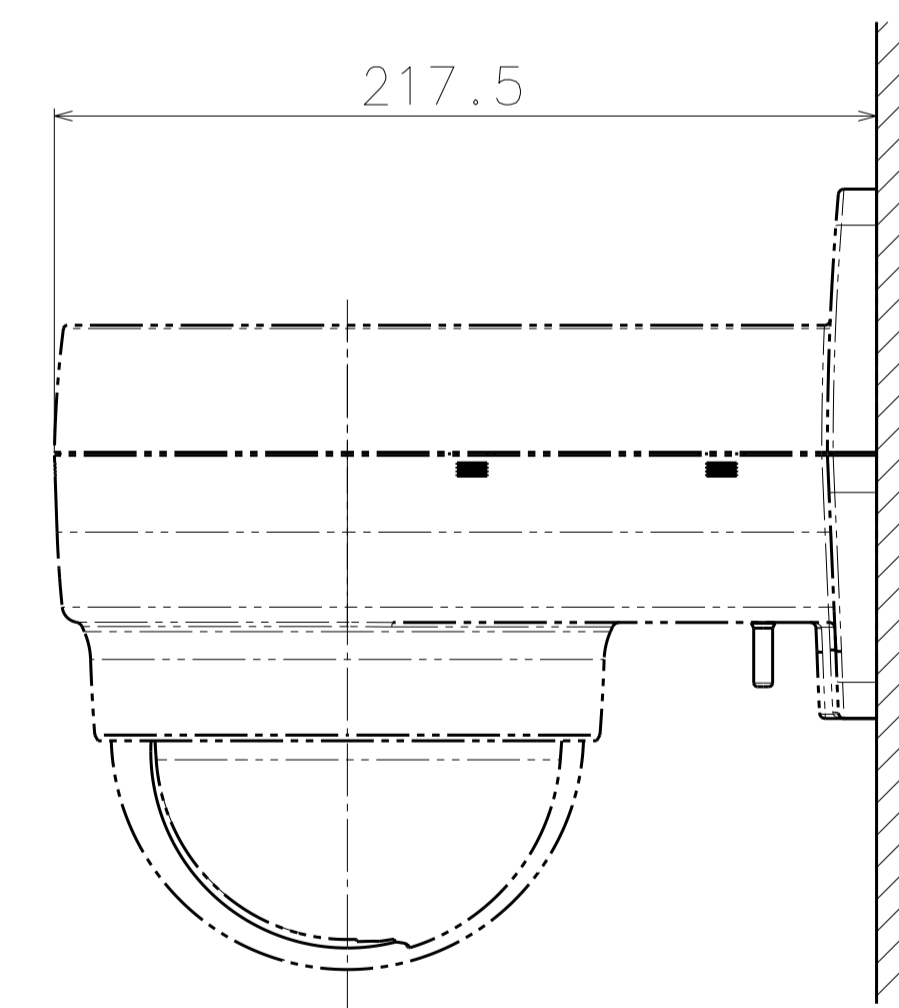
Attach to WV-QAT105A



Attach to WV-QCL100-W



Attach to WV-QWL500-W



Attach to WV-QWD100C-W

Model number	
WV-S61301-Z2	(WV-S61301-Z2US)
WV-S61301-Z2J	(WV-S61301-Z2JJS)
WV-U61301-Z2	(WV-U61301-Z2US)
WV-U61301-Z1	(WV-U61301-Z1US)
WV-B61301-Z2	(WV-B61301-Z2US)
WV-B61301-Z1	(WV-B61301-Z1US)