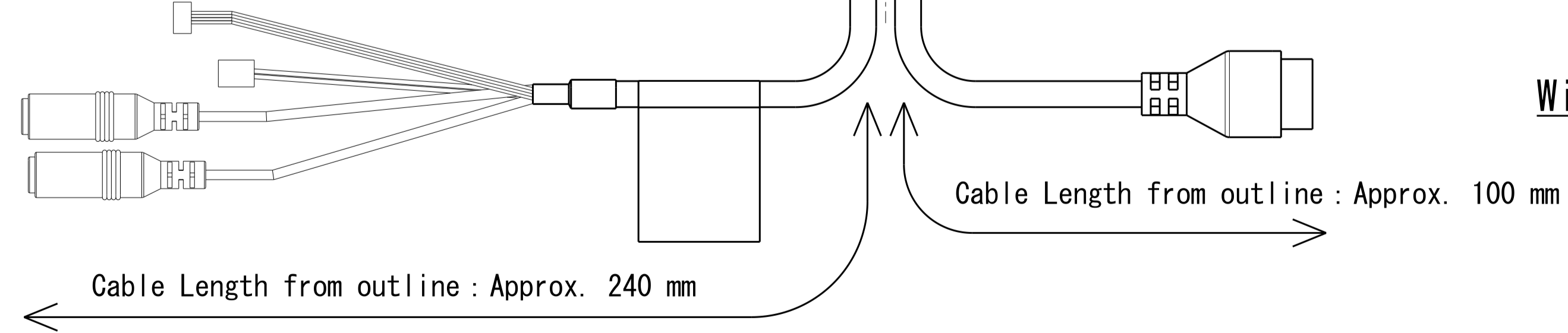


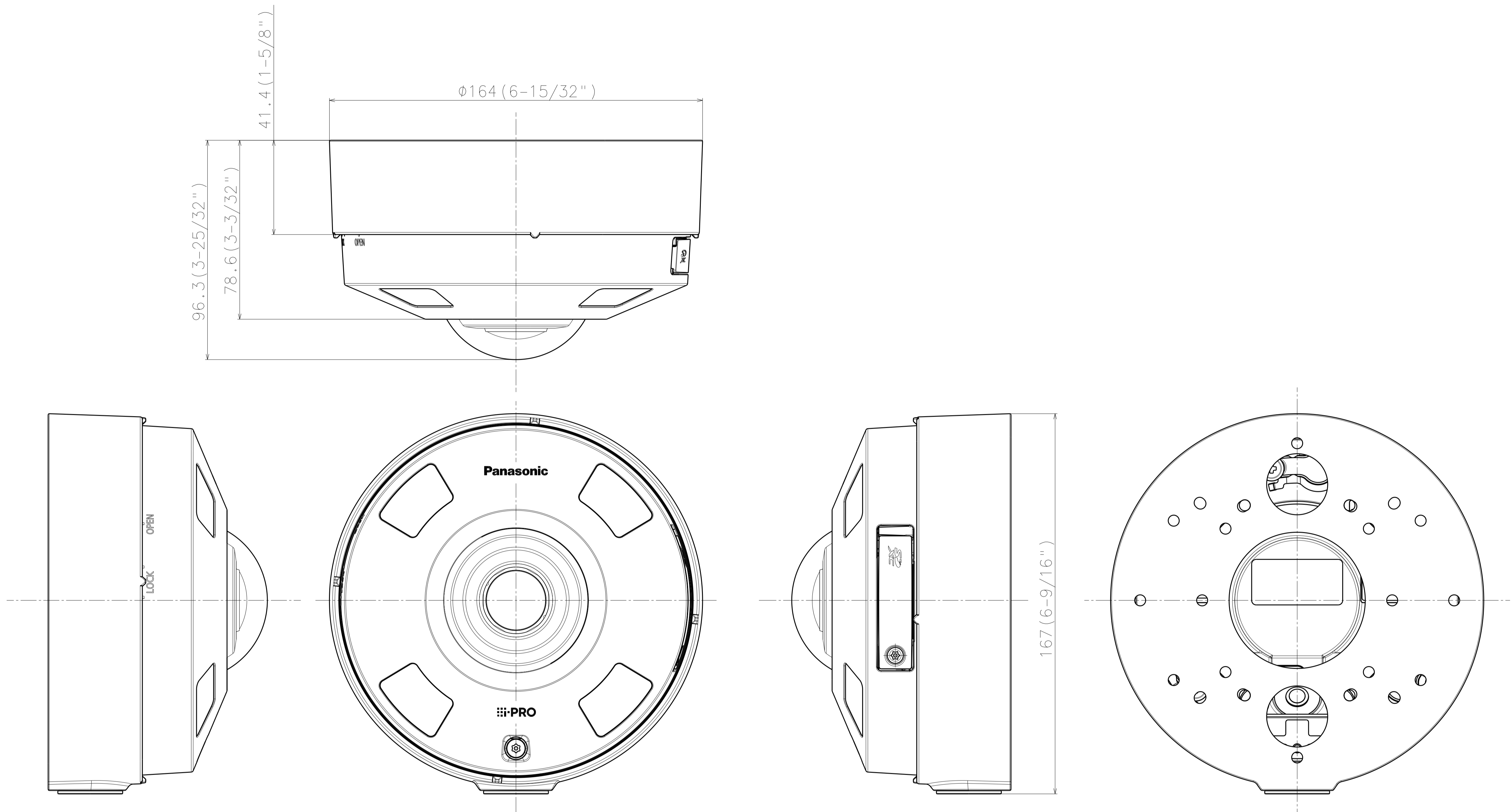
With Attachment Plate



Mass : Approx. 880 g {1.94 lbs} (When using the attachment plate)

側面図/Side-view	投影面積/Projected area 0.007 (m <sup>2</sup> )
---------------	--

WV-S4576L



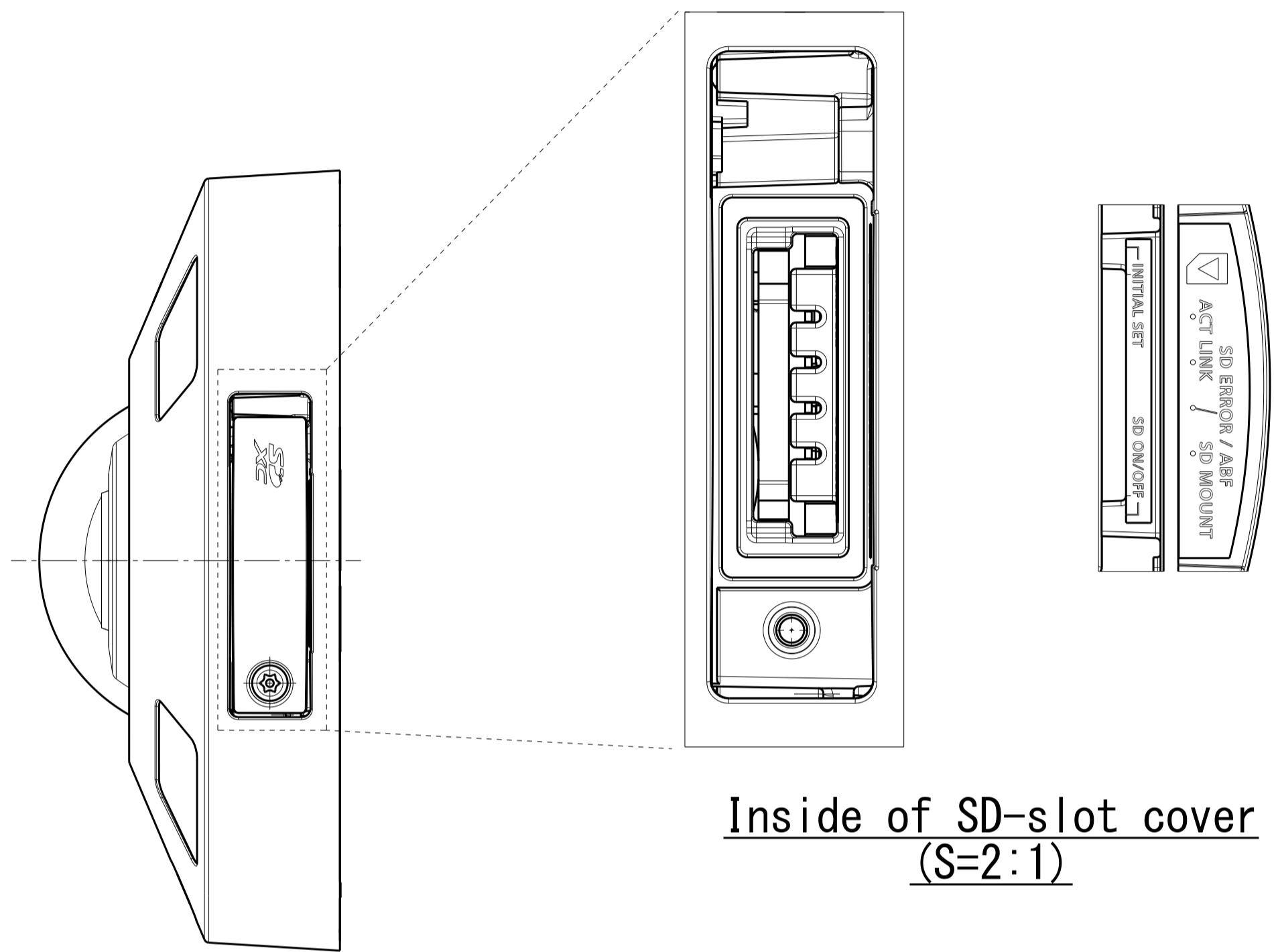
接続管用ねじ  
 CTG22 または G3/4  
 Female thread for conduit  
 NPSM3/4 or G3/4

	投影面積/Projected area (With Base Bracket)
側面図/Side-view	0.013(m2)

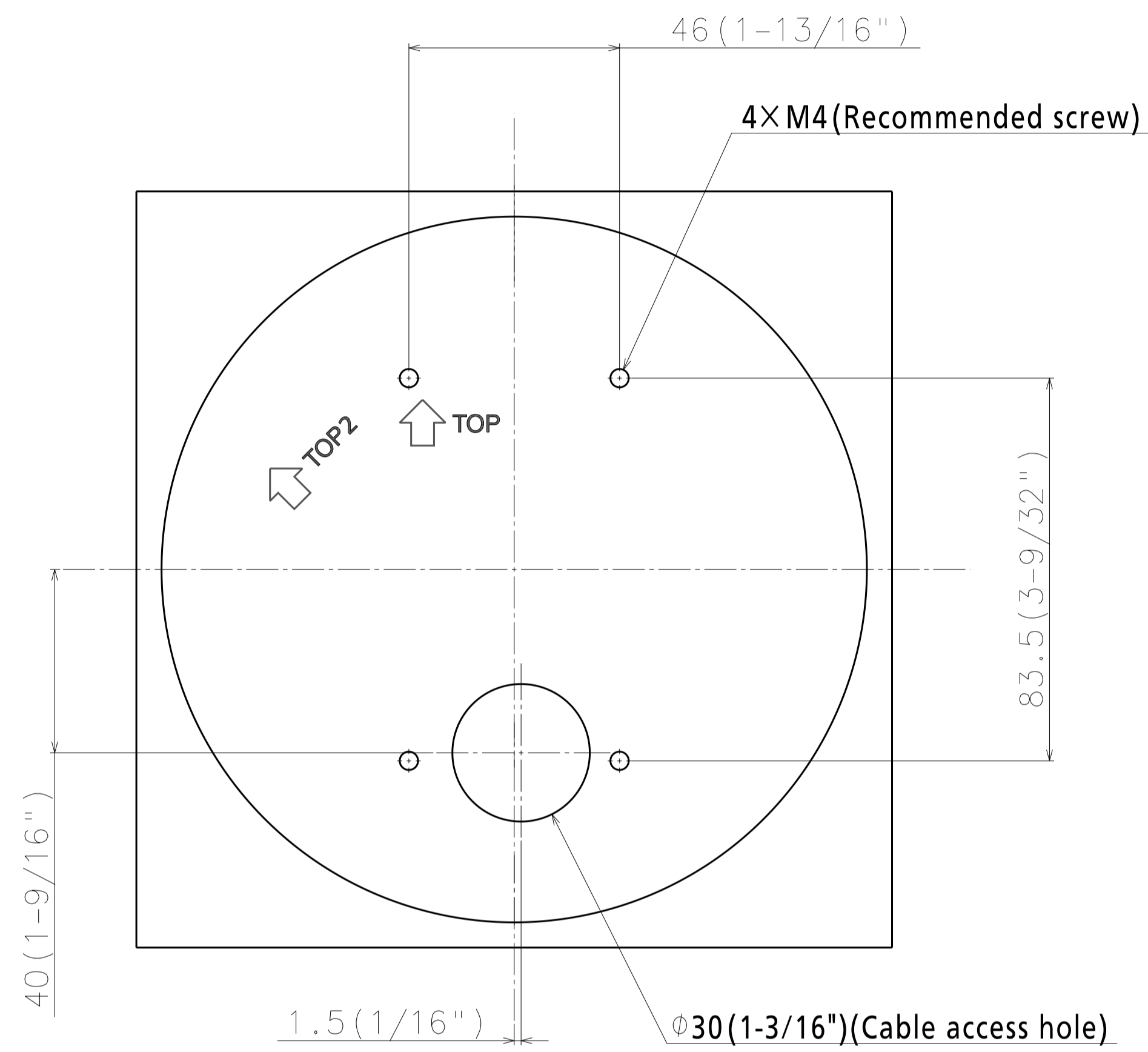
Mass : Approx. 1.3 kg {2.87 lbs} (When using the mounting base bracket)

**With Base bracket**

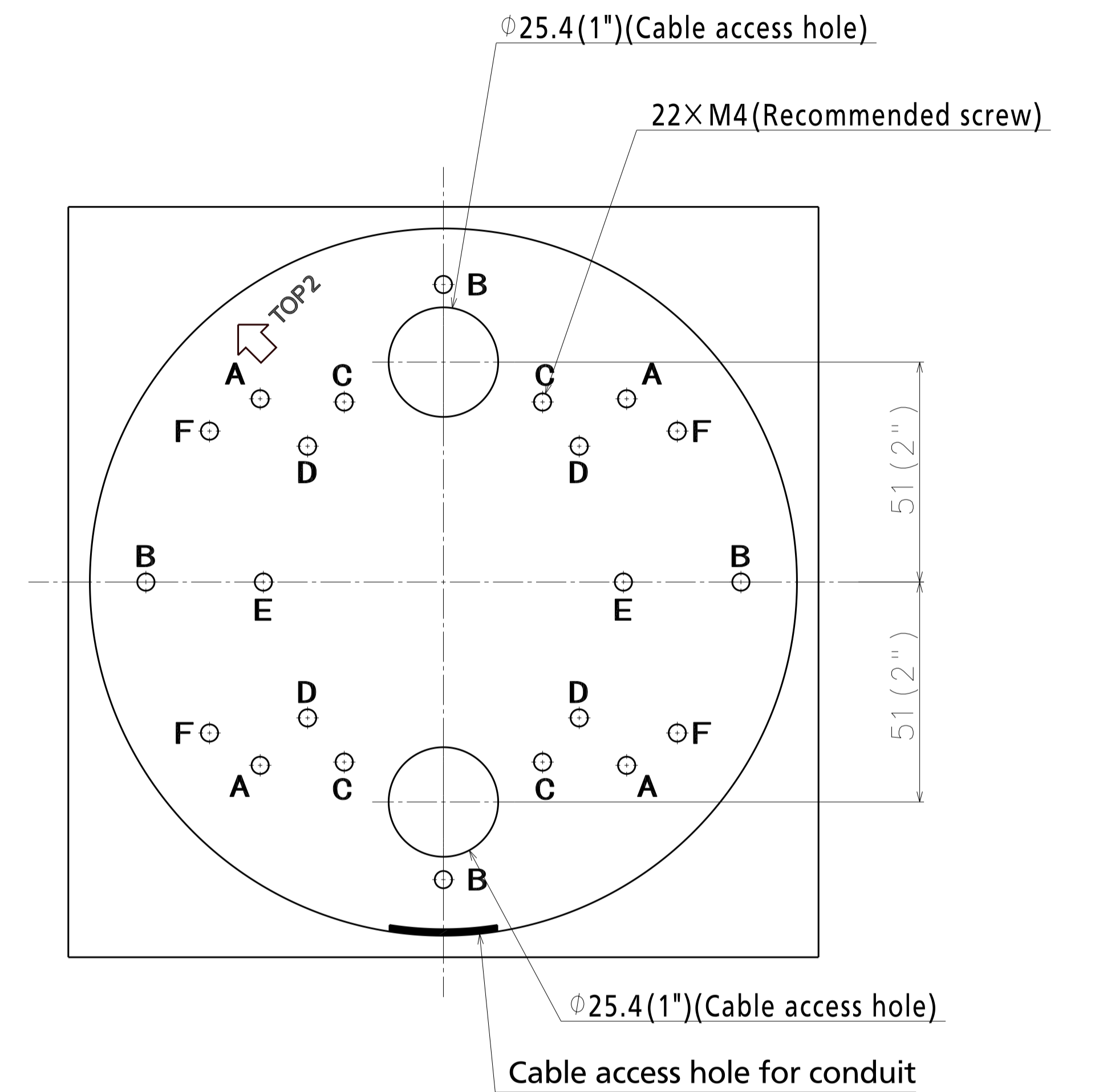
WV-S4576L



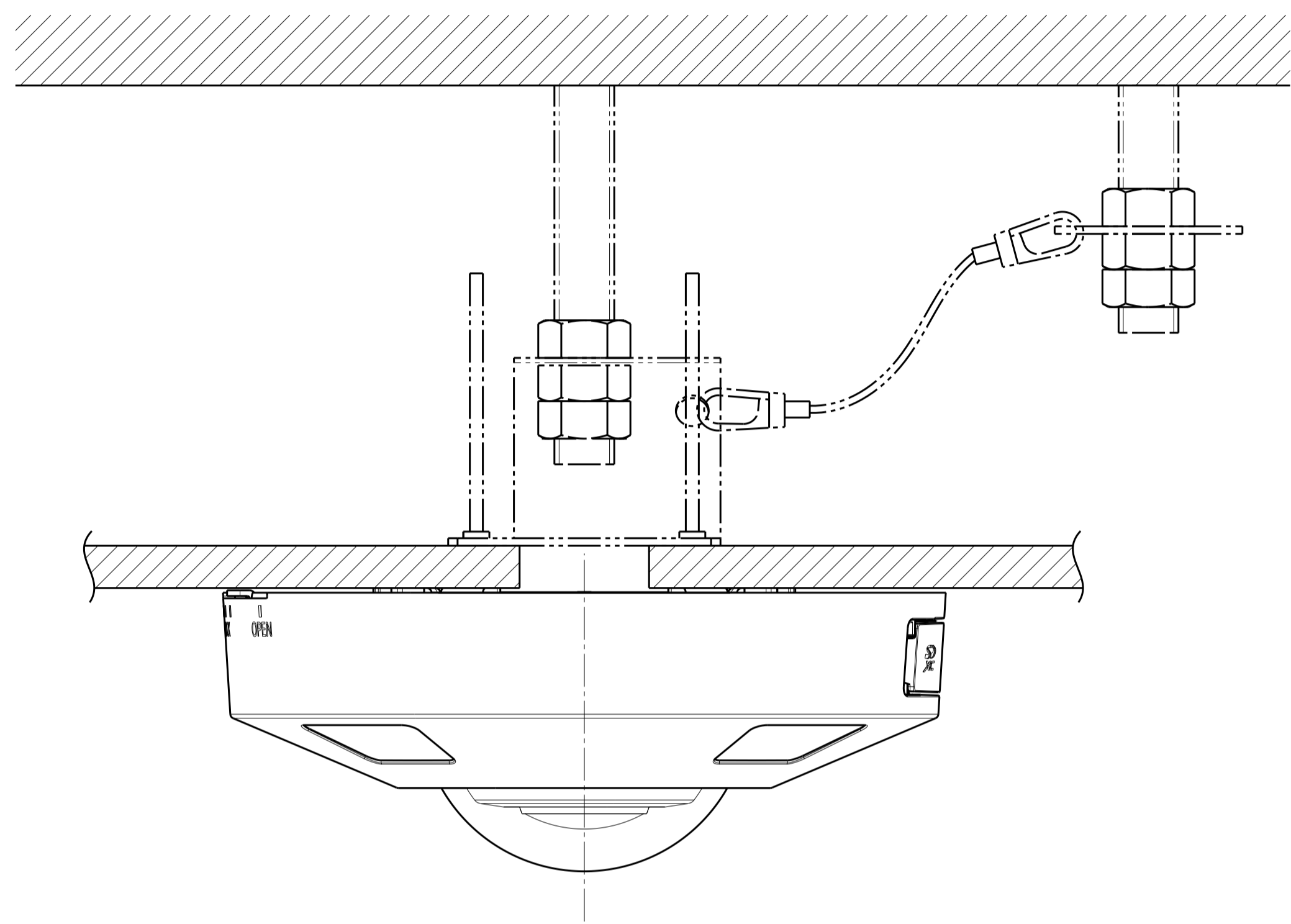
Inside of SD-slot cover  
(S=2:1)



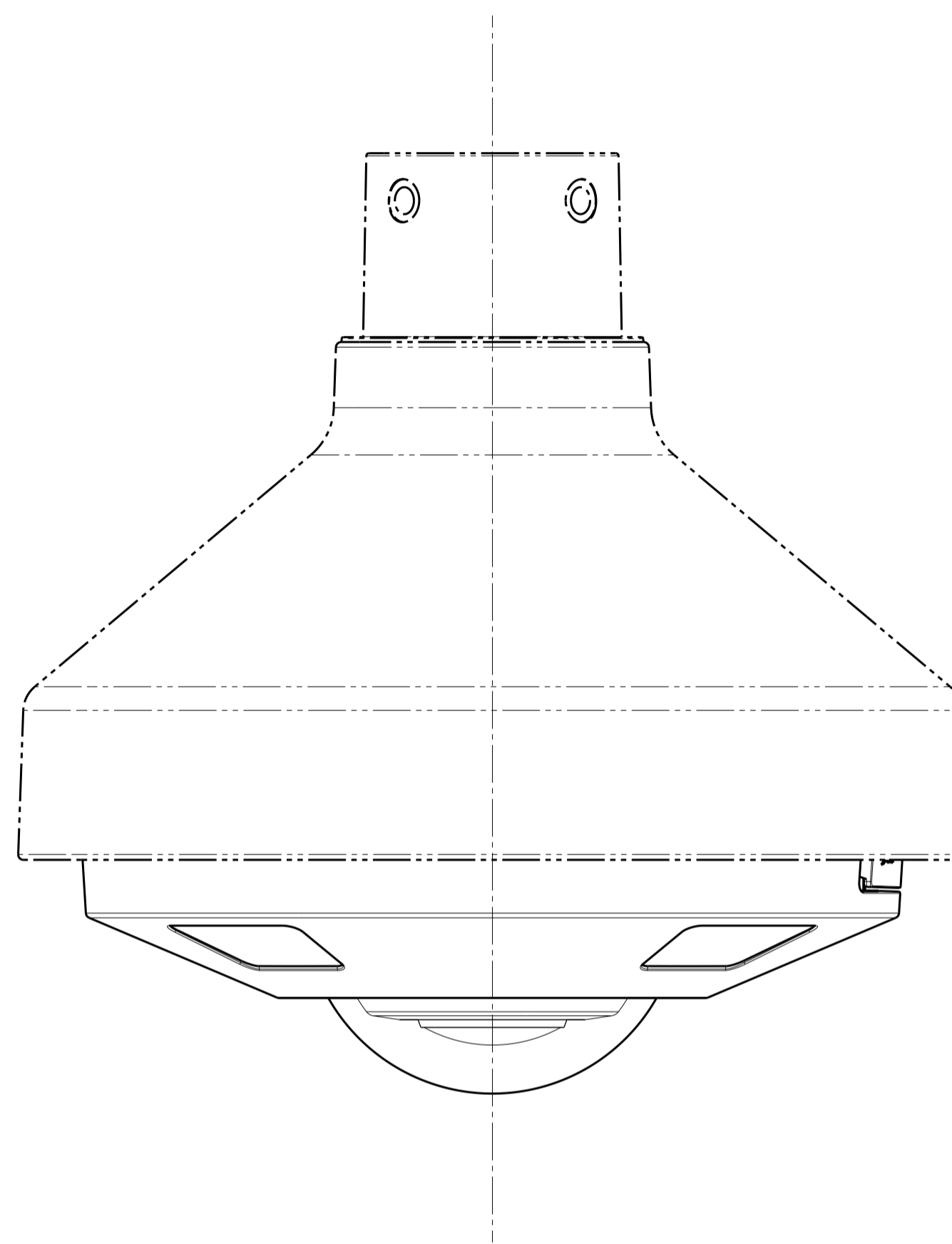
Template for mounting



Mounting hole layout

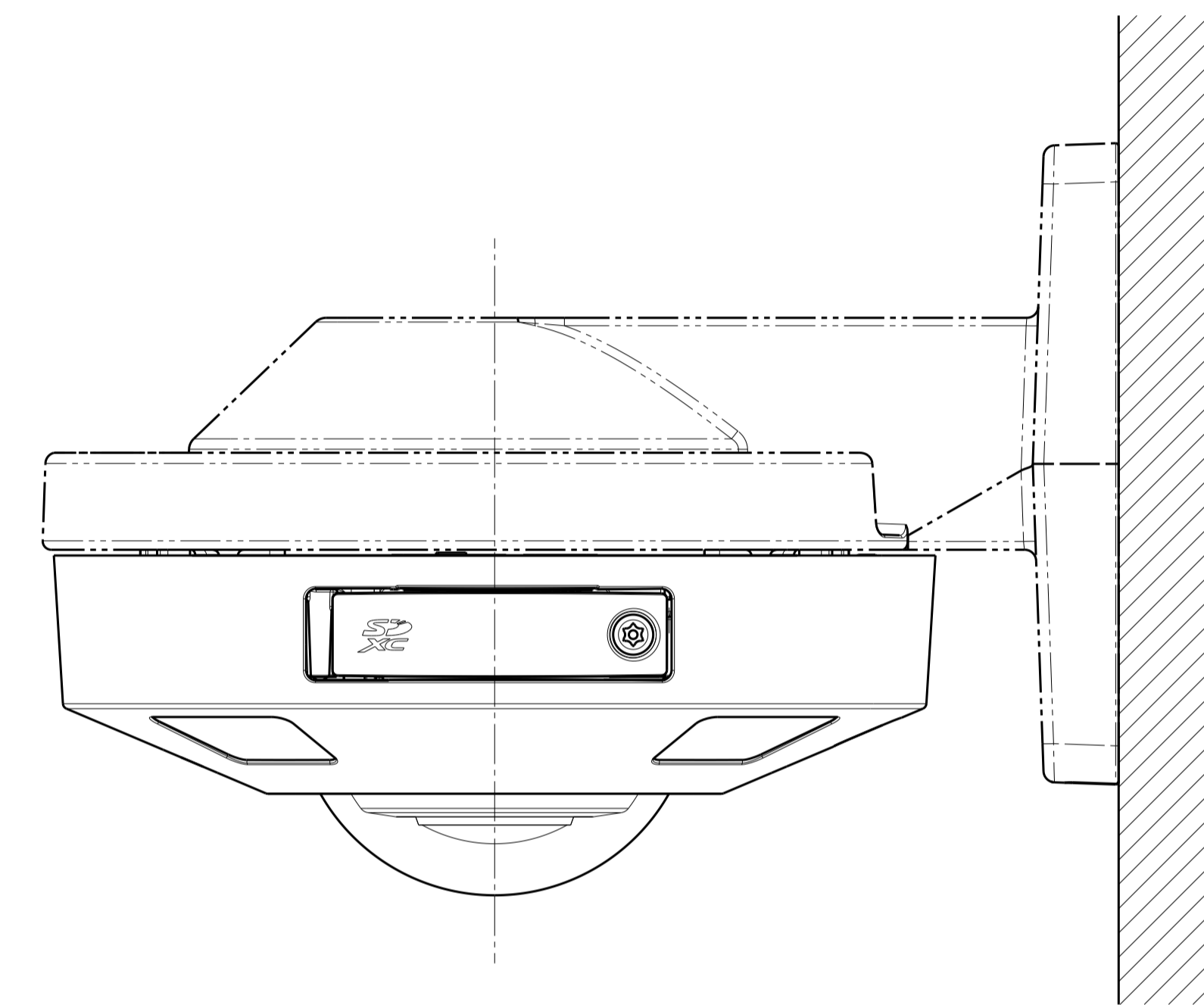


Attach to WV-Q105A



Attach to WV-QSR501-W

	投影面積/Projected area
側面図/Side-view	0.016 m <sup>2</sup>



Attach to WV-QWL500-W

	投影面積/Projected area
側面図/Side-view	0.014 m <sup>2</sup>