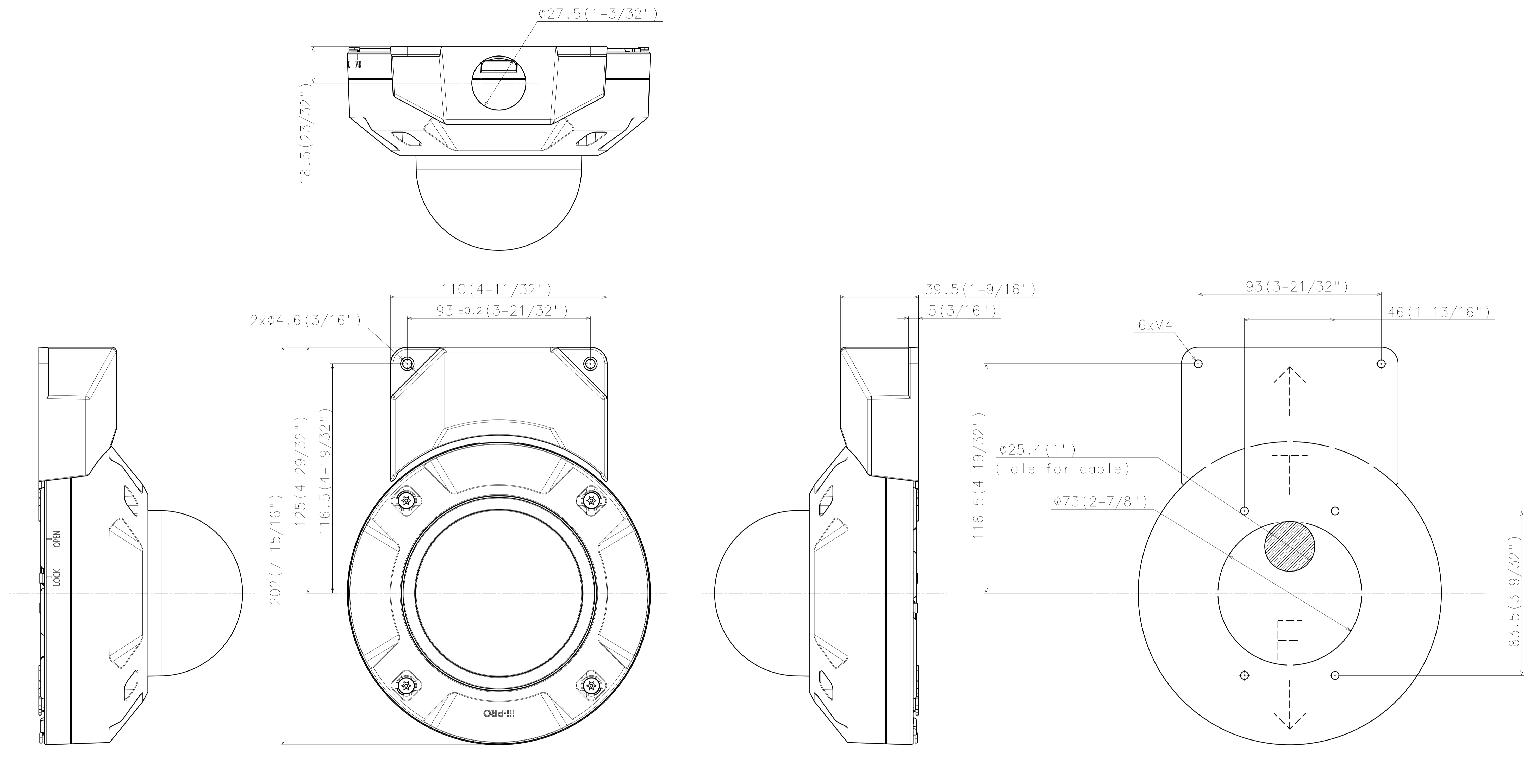


側面図/Side-view	投影面積/Projected area 0.011 (m2)
---------------	-----------------------------------

Mass : Approx. 1.0 kg {2.21 lbs} (When using the Attachment plate)

With Attachment plate

WV-U2532LA

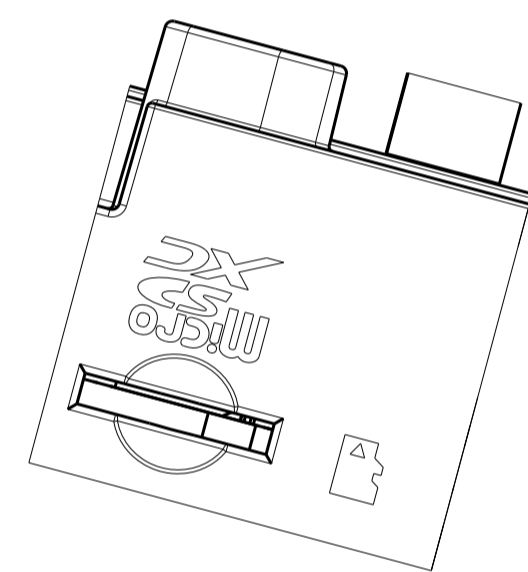


With Attachment for the conduit

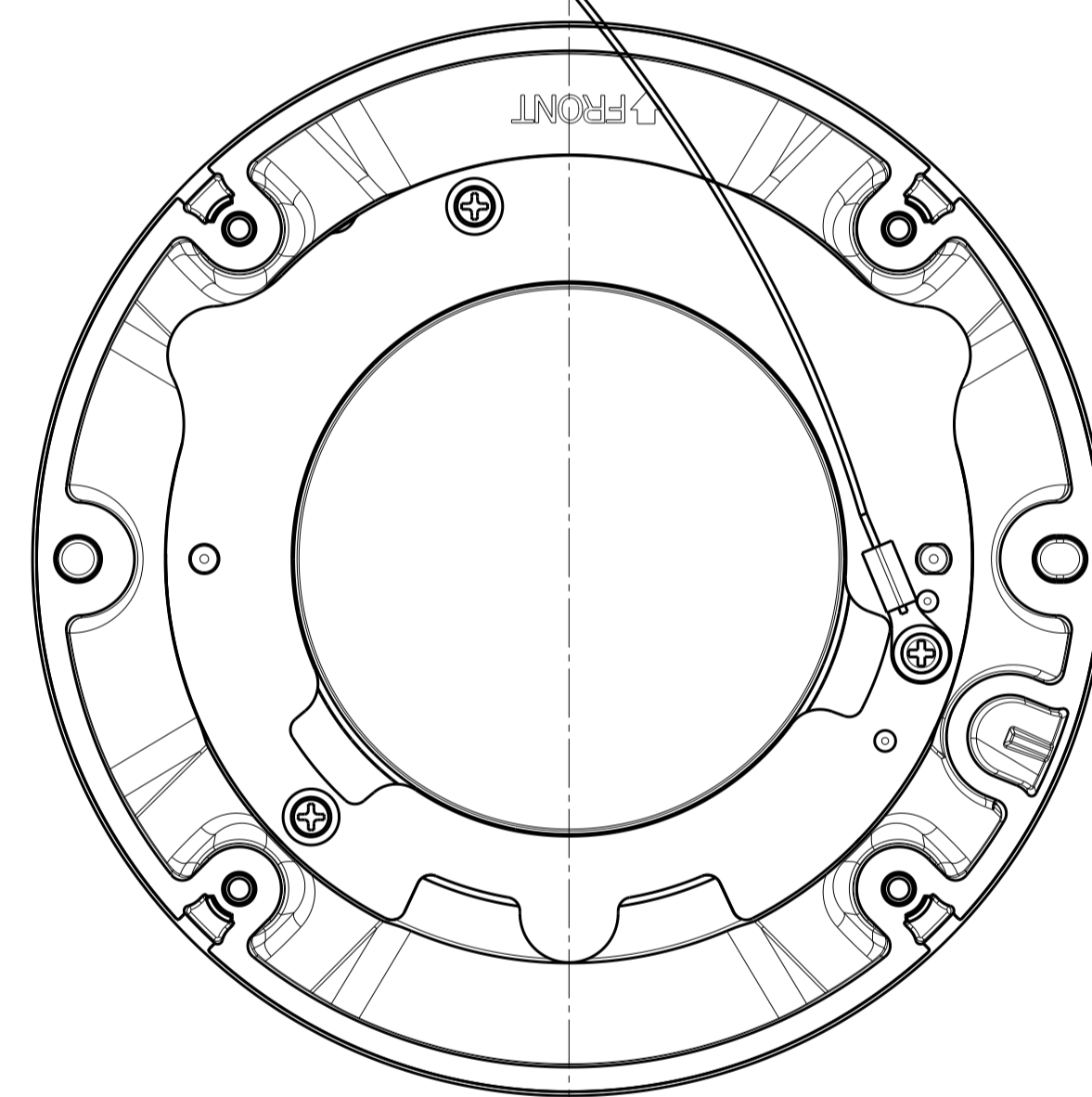
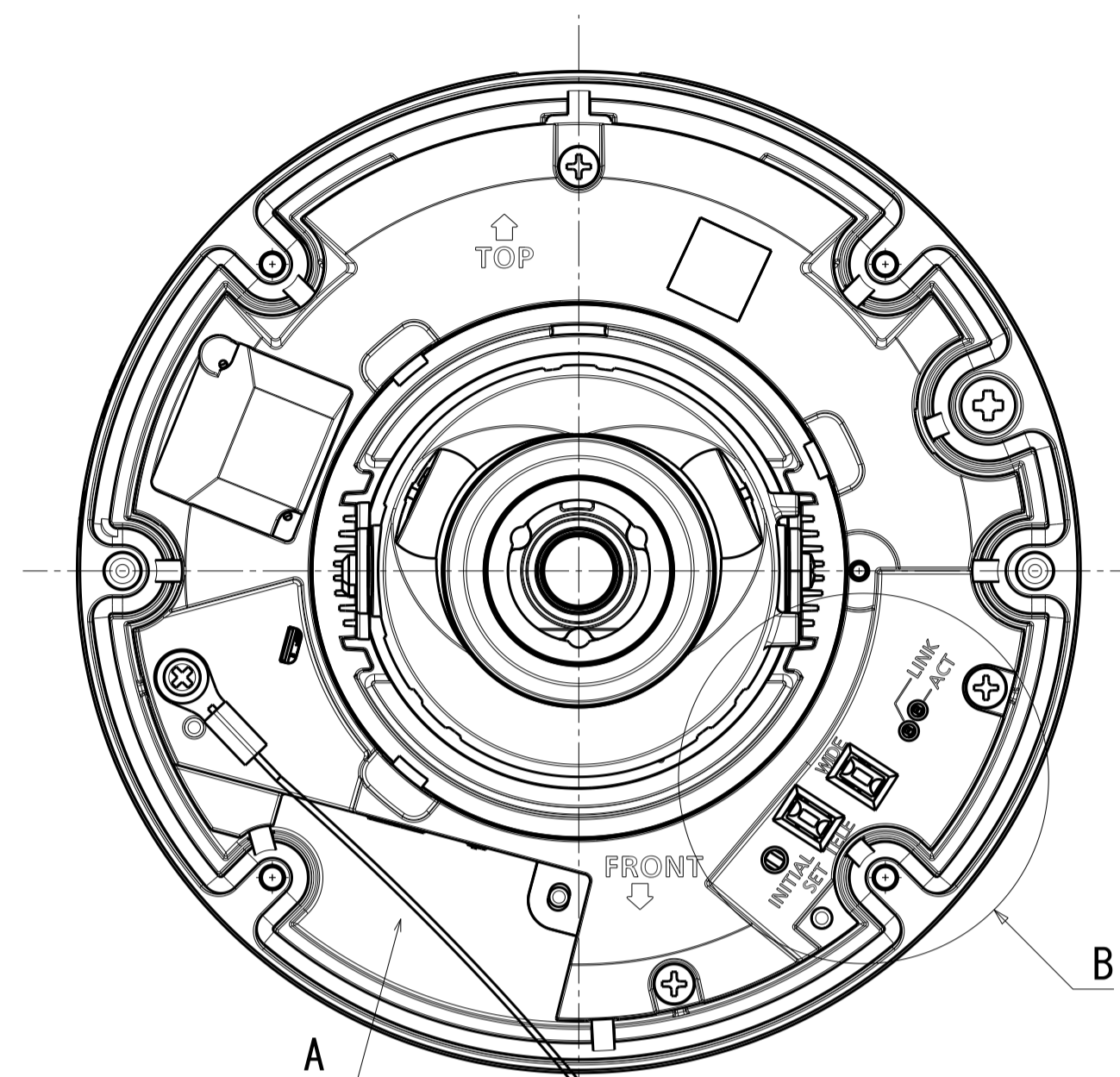
Template for mounting

側面図/Side-view	投影面積/Projected area 0.013(m2)
---------------	----------------------------------

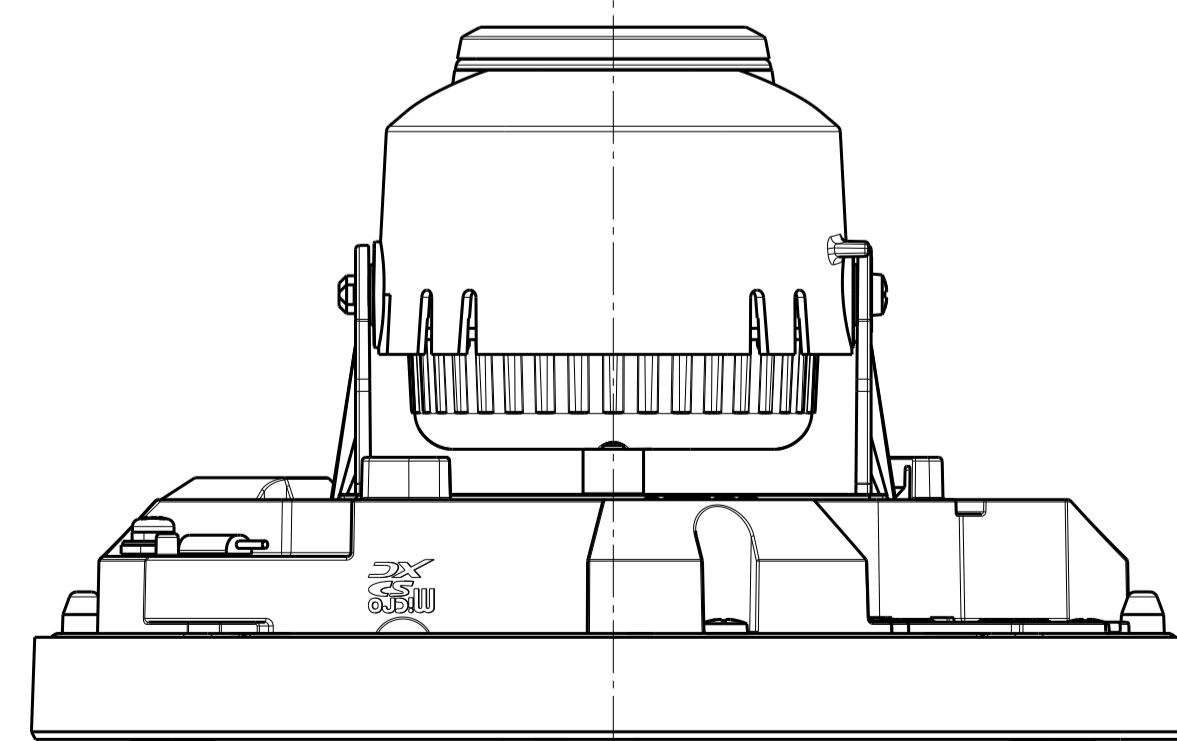
WV-U2532LA



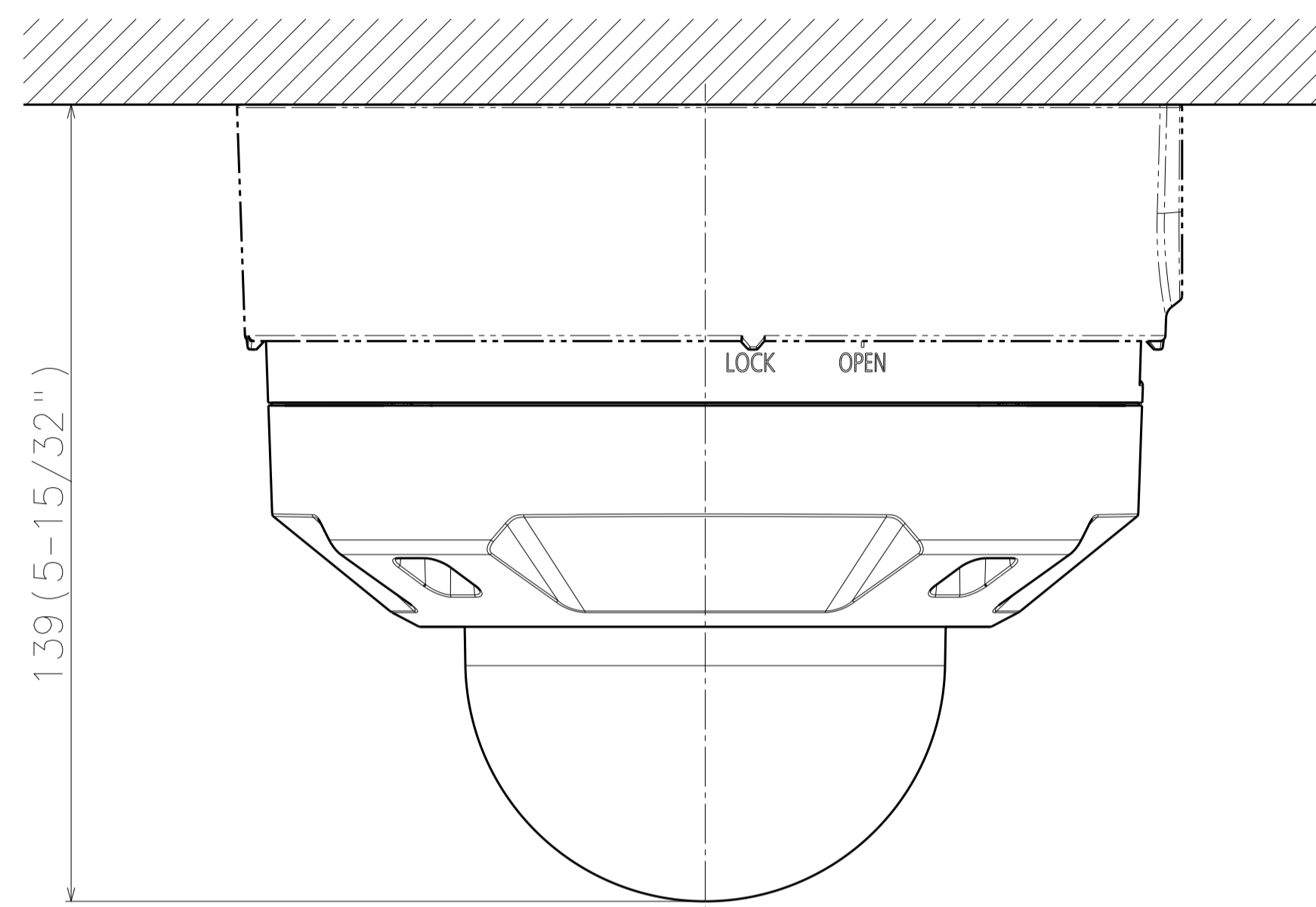
View A (2:1)



Detail B (2:1)

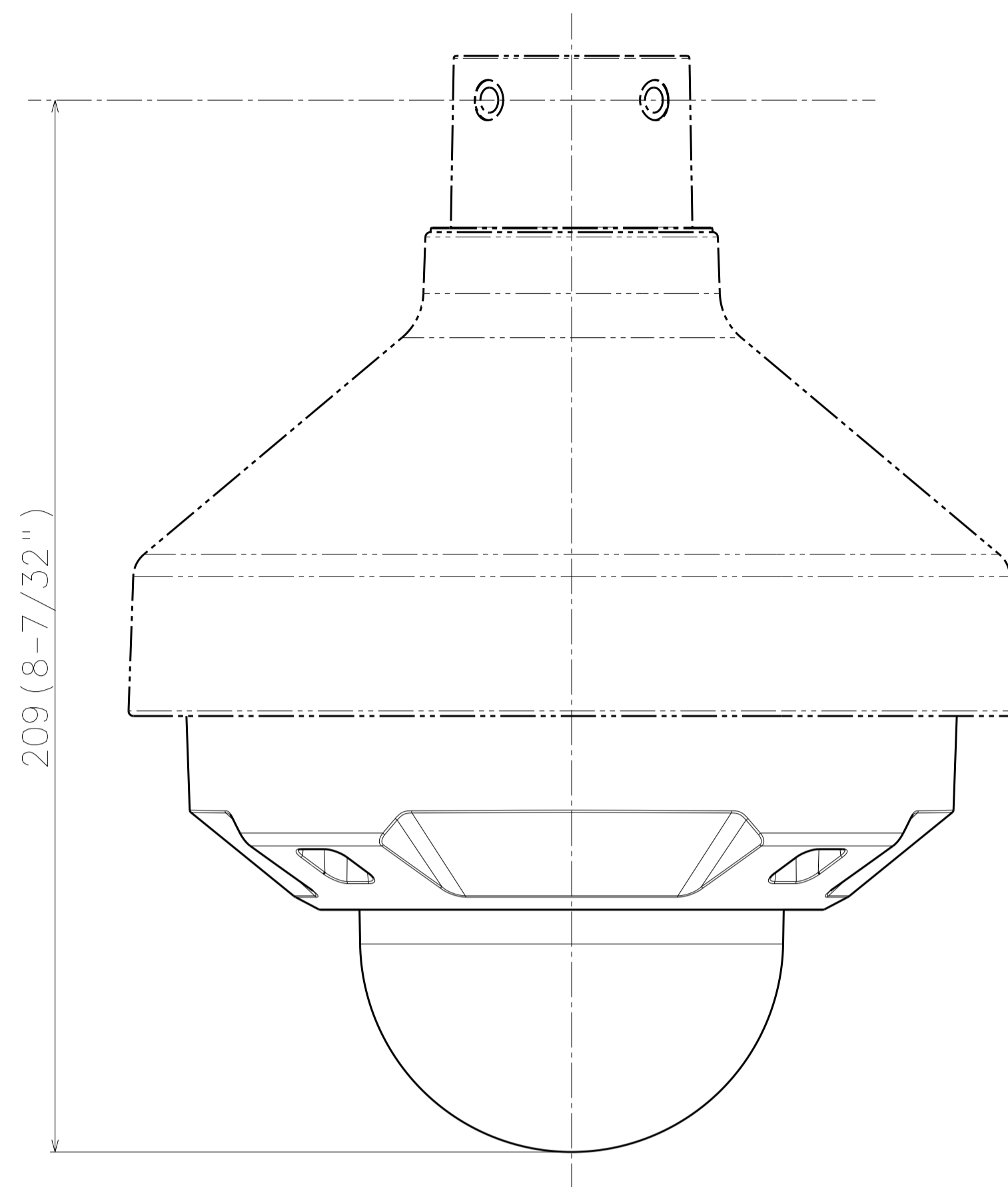


Without Enclosure



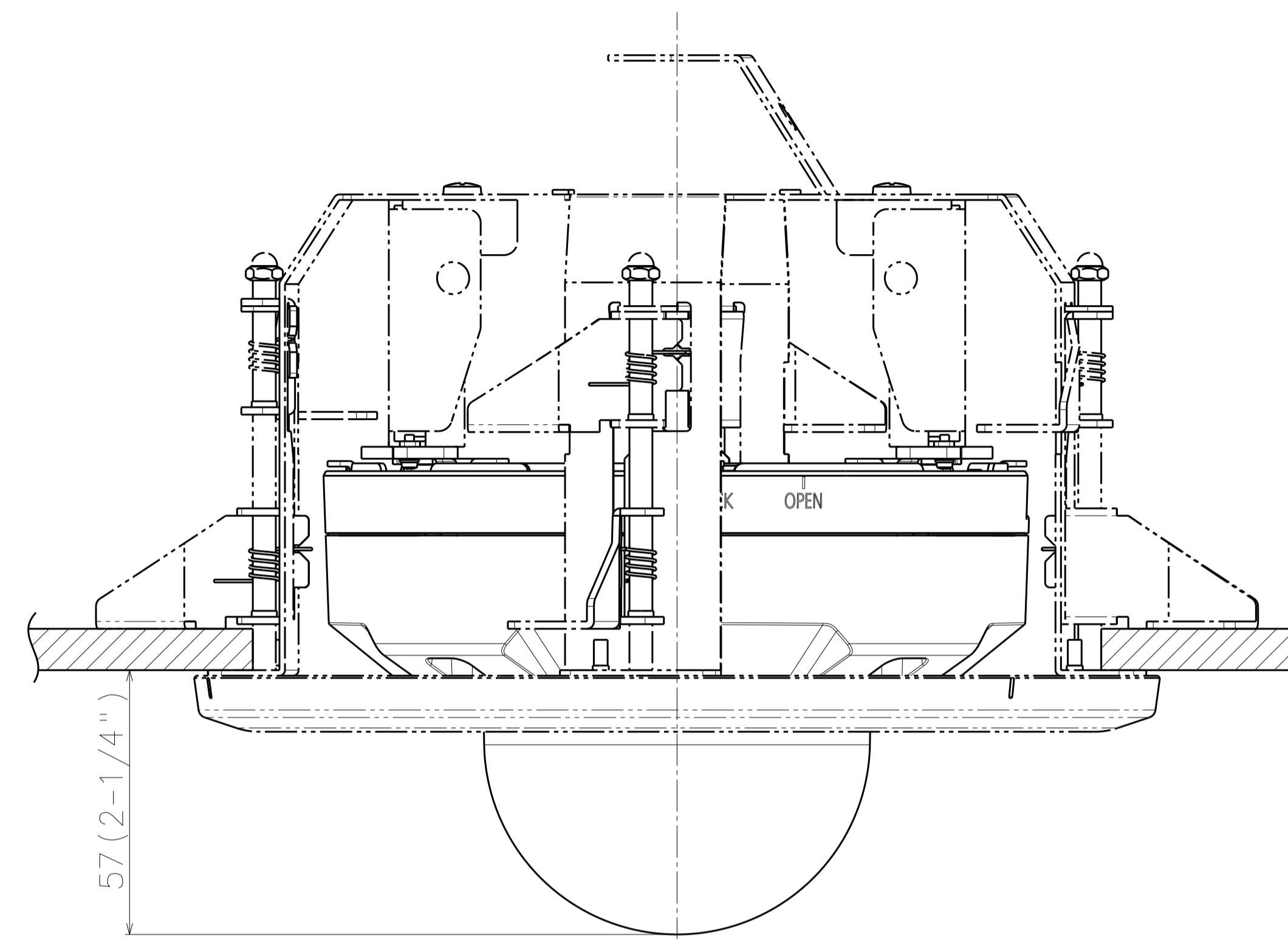
Attach to WV-QJB501-W

側面図/Side-view	投影面積/Projected area 0.017 (m2)
---------------	-----------------------------------

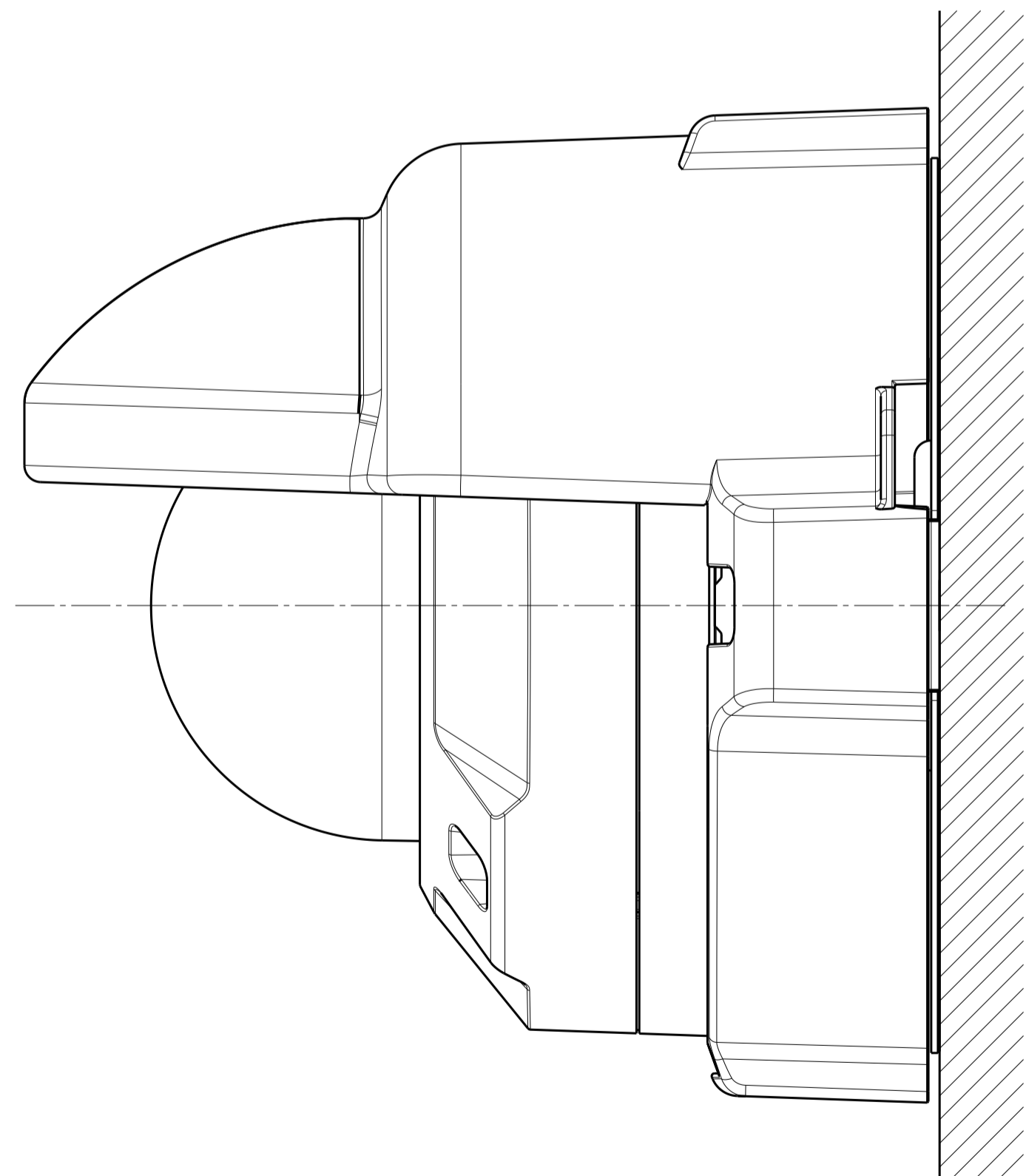


Attach to WV-QSR501-W

側面図/Side-view	投影面積/Projected area 0.021 (m2)
---------------	-----------------------------------

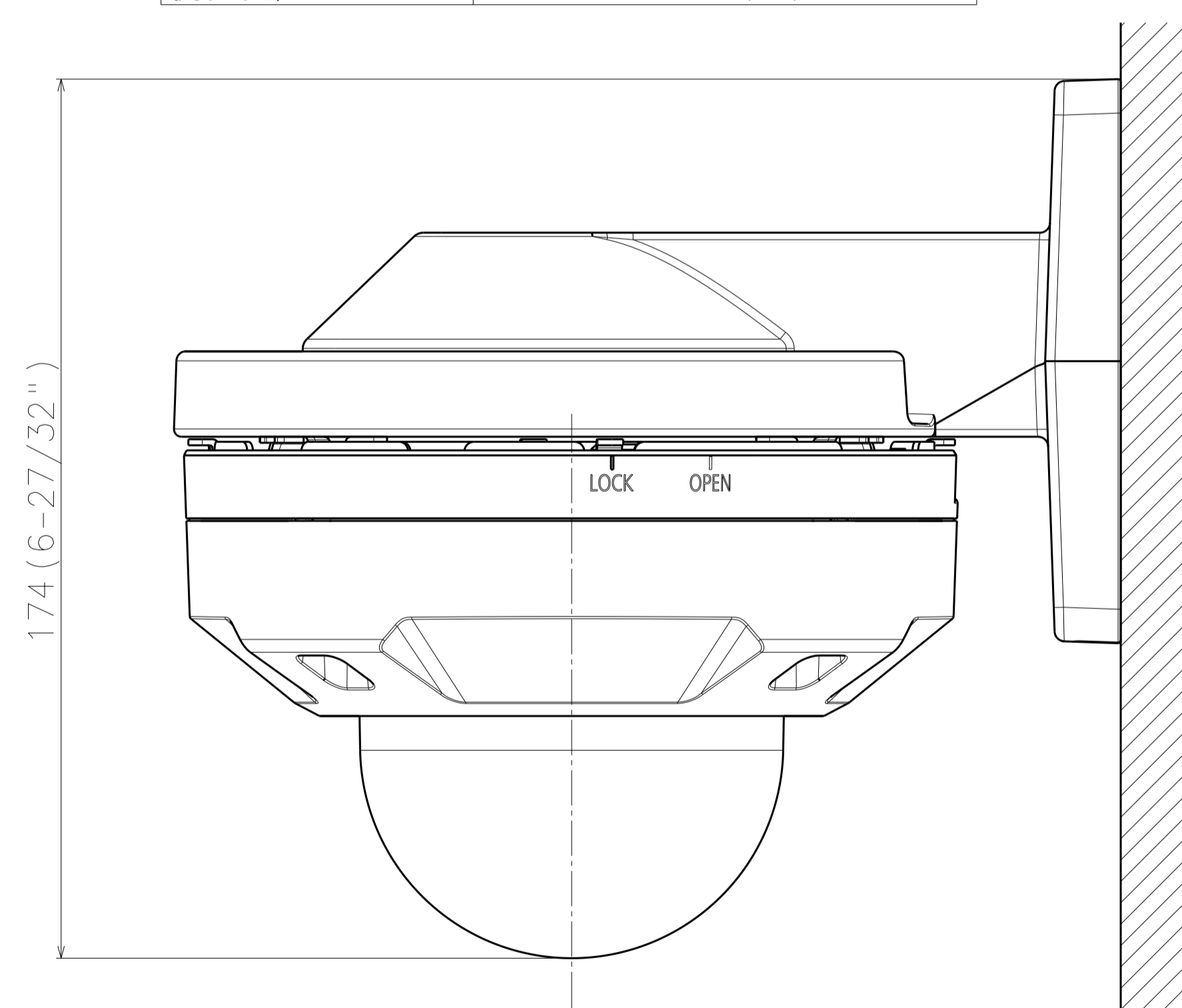


Attach to WV-QEM500-W



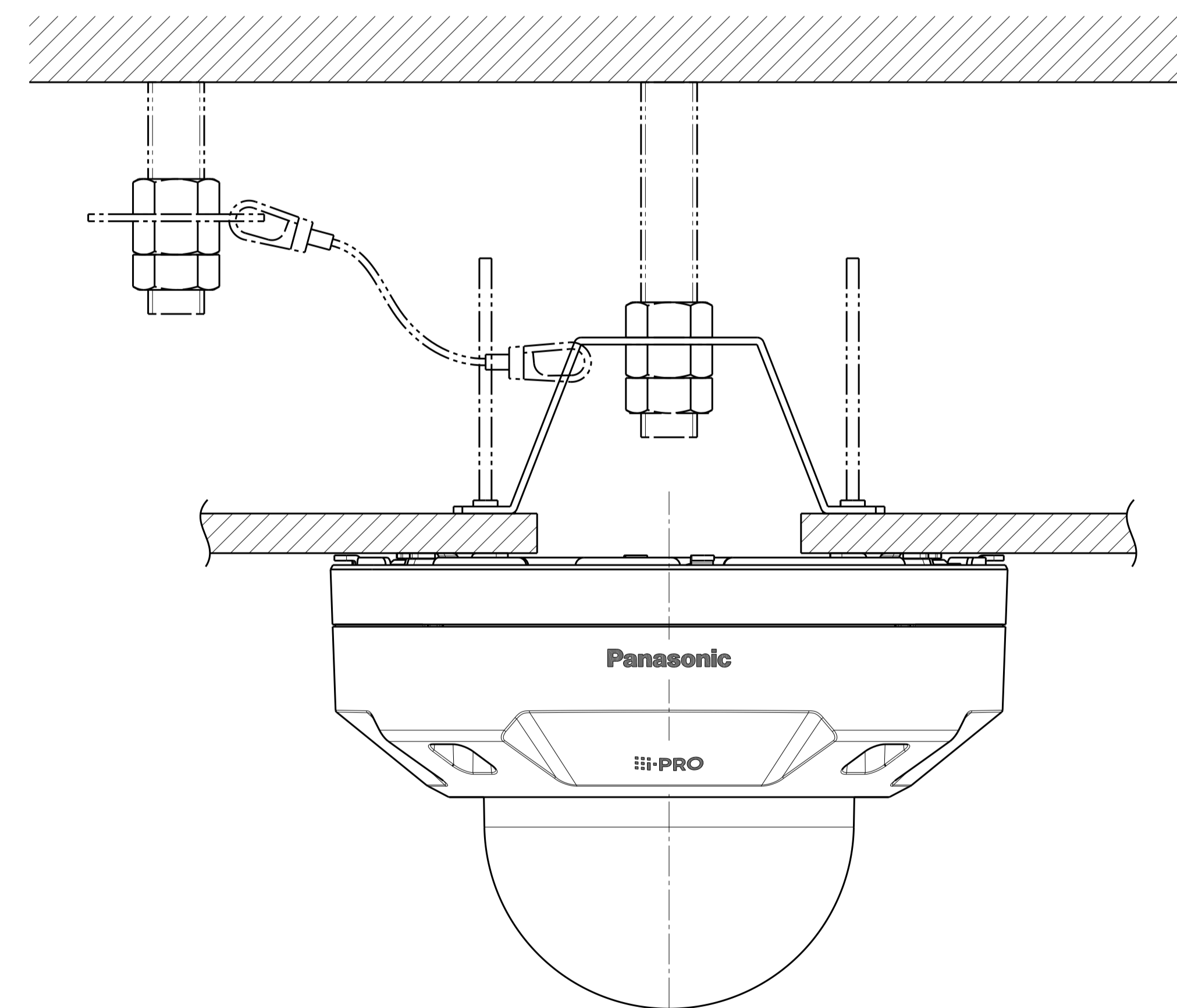
Attach to WV-QJB501-W & WV-QSR500-W

側面図/Side-view	投影面積/Projected area 0.021 (m2)
---------------	-----------------------------------



Attach to WV-QWL500-W

側面図/Side-view	投影面積/Projected area 0.019 (m2)
---------------	-----------------------------------



Attach to WV-Q105A

WV-U2532LA